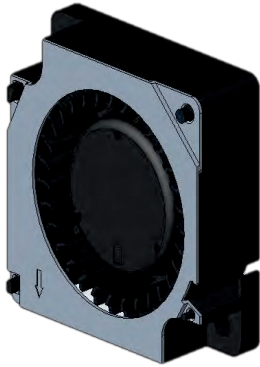


18.11×14.9×3

Blower

■ General Specifications (普通规格)



●Material (材料):

Frame And Impeller: Plastic UL 94V-0 / SECC
 底座和扇葉: 塑膠 (UL 94V-0) / SECC

●Lead Wires (導線): UL Type (UL類型)

RED Wire Positive(+) 紅色線 正極

Black Wire Negative(黑色線 負極)

●Insulation Resistance: 10M Ω Or Over With a

DC250V Megger

絕緣阻抗: 10MΩ 或者高於DC250V

●Dielectric Withstand Voltage: AC500V 1S

耐壓測試: AC500V 1S

●Allowable Ambient Temperature Range: 环

境溫度範圍:

-10°C ~ +70°C (Operating)

工作溫度

-40°C ~ +70°C (Storage)

存儲溫度

MODEL 型号	BEARING TYPE 轴承类型	Rated Voltage 额定电压	Operating Voltage 工作电压	Rated Current 额定电流	Rated Input power 额定功率	Speed 转速	Maximum Air Flow 最大风量		Maximum Air Pressure 最大风压		Noise/Distance 噪音/距离	
		VDC	VDC	AMP	WATT	RPM	M ³ /Min	CFM	mmH ₂ O	INH ₂ O	dB (A)	m
18.11×14.9×3	HDB	3	2.5-3	0.08	0.24	14000	0.002	0.079	1.64	0.065	25.69	0.3

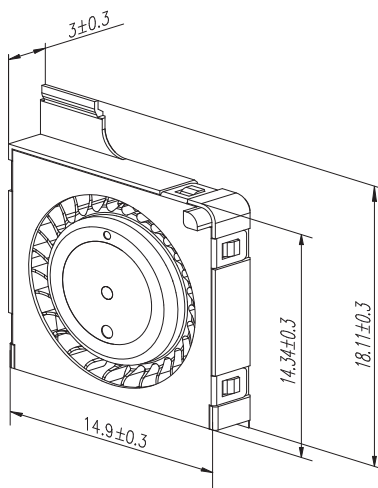
* Signal type is optional. 信号输出类型可以选择的

* The MAX. air flow & the speed are measured in free air ; MAX. air pressure is measured at zero air flow.
 在正常气压下测试风扇最大风压以及转速, 在无流量条件下测试风扇最大风压

* All readings are typical values at rated voltage. 所有常规数值都是在额定电压下完成的;

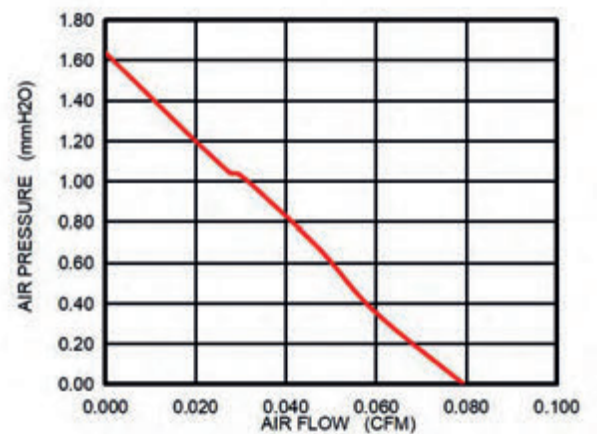
* SPEC. are subject to change without notice. 规格如果变更, 将另行通知

■ DIMENSIONS DRAWING(外观图)



Unit: mm

■ P&Q CURVE (AT RATED VOLTAGE)



17×17×3.2 Blower

General Specifications (普通规格)



Material (材料):

Frame And Impeller: Plastic UL 94V-0 / SUS
底座和扇叶: 塑胶 (UL 94V-0) / SUS

Lead Wires (导线): UL Type (UL类型)

RED Wire Positive(+) 红色线 正极
Black Wire Negative() 黑色线 负极

Insulation Resistance: 10M Ω Or Over With a DC250V Megger

绝缘阻抗: 10MΩ 或者高于DC250V

Dielectric Withstand Voltage: AC500V 1S

耐压测试: AC500V 1S

Allowable Ambient Temperature Range:

环境温度范围:

-10°C ~ +70°C (Operating) 工作温度
-40°C ~ +70°C (Storage) 存储温度

MODEL 型号	BEARING TYPE 轴承类型	Rated Voltage 额定电压	Operating Voltage 工作电压	Rated Current 额定电流	Rated Input power 额定功率	Speed 转速	Maximum Air Flow 最大风量		Maximum Air Pressure 最大风压		Noise/Distance 噪音/距离	
		VDC	VDC	AMP	WATT		RPM	M ³ /Min	CFM	mmH ₂ O	INH ₂ O	dB (A)
17×17×3.2	HDB	3	2.2~3.5	0.25	0.75	20000	0.012	0.41	19.19	0.756	39.96	0.3

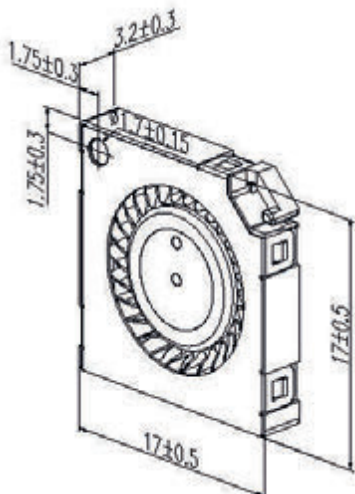
* Signal type is optional. 信号输出类型可以选择的

* The MAX. air flow & the speed are measured in free air ; MAX. air pressure is measured at zero air flow.
在正常气压下测试风扇最大风量以及转速, 在无流量条件下测试风扇最大风压

* All readings are typical values at rated voltage. 所有常规数值都是在额定电压下完成的;

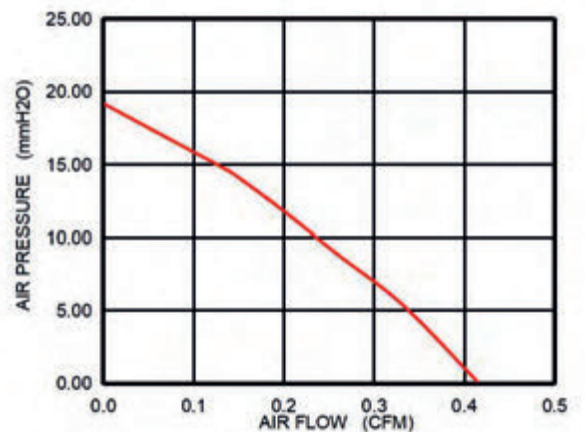
* SPEC. are subject to change without notice. 规格如果变更, 将另行通知

DIMENSIONS DRAWING (外观图)



Unit: mm

P&Q CURVE (AT RATED VOLTAGE)



20.35×19.3×3.1 Blower

General Specifications (普通规格)



Material (材料):

Frame And Impeller: Plastic UL 94V-0 / SUS
底座和扇叶: 塑胶 (UL 94V-0) / SUS

Lead Wires (导线): UL Type (UL类型)

RED Wire Positive(+) 红色线 正极
Black Wire Negative(-) 黑色线 负极

Insulation Resistance: 10M Ω Or Over With a DC250V Megger

绝缘阻抗: DC 500V电压测试, 绝缘阻抗大于10兆欧

Dielectric Withstand Voltage: AC500V 1S

耐压测试: AC500V 1S

Allowable Ambient Temperature Range:

环境温度范围:

-10°C ~ +70°C (Operating)

工作温度

-40°C ~ +85°C (Storage)

存储温度

MODEL 型号	BEARING TYPE 轴承类型	Rated Voltage 额定电压	Operating Voltage 工作电压	Rated Current 额定电流	Rated Input power 额定功率	Speed 转速	Maximum Air Flow 最大风量		Maximum Air Pressure 最大风压		Noise/Distance 噪音/距离	
		VDC	VDC	AMP	WATT	RPM	M ³ /Min	CFM	mmH ₂ O	INH ₂ O	dB (A)	m
20.35*19.3*3.1	HDB	3	2.5-3	0.08	0.24	11500	0.009	0.315	3.69	0.151	30.3	0.3

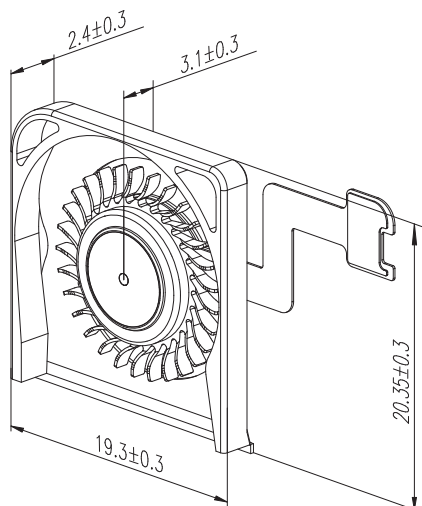
* Signal type is optional. 信号输出类型可以选择的

* The MAX. air flow & the speed are measured in free air; MAX. air pressure is measured at zero air flow.
在正常气压下测试风扇最大风量以及转速, 在无流量条件下测试风扇最大风压

* All readings are typical values at rated voltage. 所有常规数值都是在额定电压下完成的;

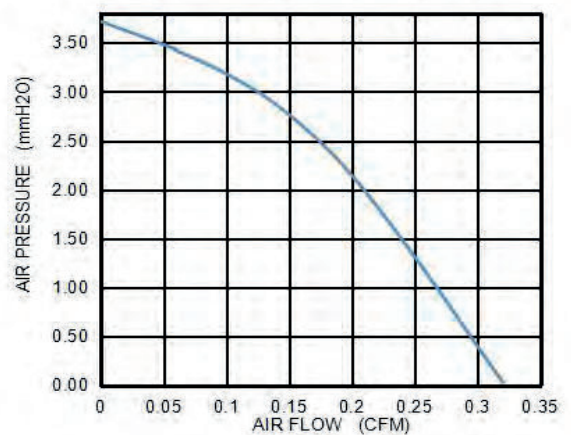
* SPEC. are subject to change without notice. 规格如果变更, 将另行通知

DIMENSIONS DRAWING (外观图)



Unit: mm

P&Q CURVE (AT RATED VOLTAGE)



20×20×3.2 Blower

General Specifications (普通规格)



Material (材料):

Frame And Impeller: Plastic UL 94V-0 / SUS
底座和扇叶: 塑胶 (UL 94V-0) / SUS

Lead Wires (导线): UL Type (UL类型)

RED Wire Positive(+) 红色线 正极
Black Wire Negative() 黑色线 负极

Insulation Resistance: 10M Ω Or Over With a DC250V Megger

绝缘阻抗: 10MΩ 或者高于DC250V

Dielectric Withstand Voltage: AC500V 1S

耐压测试: AC500V 1S

Allowable Ambient Temperature Range:

环境温度范围:

-10°C ~ +70°C (Operating)

工作温度

-40°C ~ +70°C (Storage)

存储温度

MODEL 型号	BEARING TYPE 轴承类型	Rated Voltage 额定电压	Operating Voltage 工作电压	Rated Current 额定电流	Rated Input power 额定功率	Speed 转速	Maximum Air Flow 最大风量		Maximum Air Pressure 最大风压		Noise/Distance 噪音/距离	
		VDC	VDC	AMP	WATT	RPM	M ³ /Min	CFM	mmH ₂ O	INH ₂ O	dB (A)	m
20×20×3.2	HDB	3	2.2~3.5	0.25	0.75	17800	0.016	0.56	20.16	0.794	36.6	0.3

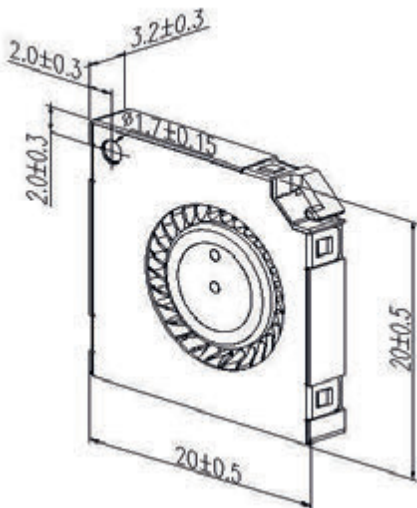
* Signal type is optional. 信号输出类型可以选择的

* The MAX. air flow & the speed are measured in free air ; MAX. air pressure is measured at zero air flow.
在正常气压下测试风扇最大风压以及转速, 在无流量条件下测试风扇最大风压

* All readings are typical values at rated voltage. 所有常规数值都是在额定电压下完成的;

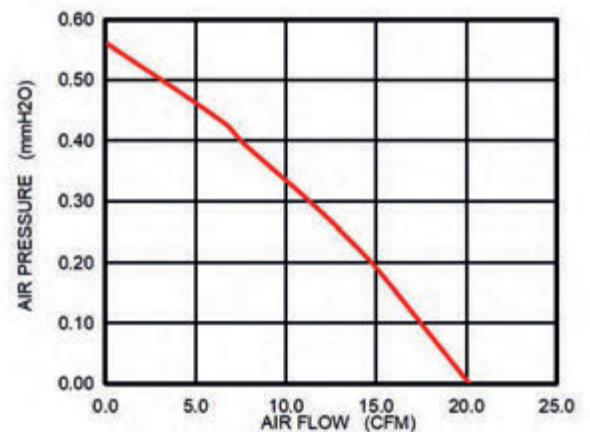
* SPEC. are subject to change without notice. 规格如果变更, 将另行通知

DIMENSIONS DRAWING (外观图)



Unit: mm

P&Q CURVE (AT RATED VOLTAGE)



30×30×3.2 Blower

General Specifications (普通规格)



Material (材料):

Frame And Impeller: Plastic UL 94V-0 / SUS
底座和扇叶: 塑胶 (UL 94V-0) / SUS

Lead Wires (导线): UL Type (UL类型)

RED Wire Positive(+) 红色线 正极
Black Wire Negative() 黑色线 负极

Insulation Resistance: 10M Ω Or Over With a DC250V Megger

绝缘阻抗: 10MΩ 或者高于DC250V

Dielectric Withstand Voltage: AC500V 1S

耐压测试: AC500V 1S

Allowable Ambient Temperature Range:

环境温度范围:

-10°C ~ +70°C (Operating)

工作温度

-40°C ~ +70°C (Storage)

存储温度

MODEL 型号	BEARING TYPE 轴承类型	Rated Voltage 额定电压	Operating Voltage 工作电压	Rated Current 额定电流	Rated Input power 额定功率	Speed 转速	Maximum Air Flow 最大风量		Maximum Air Pressure 最大风压		Noise/Distance 噪音/距离	
		VDC	VDC	AMP	WATT	RPM	M ³ /Min	CFM	mmH ₂ O	INH ₂ O	dB (A)	m
30×30×3.2	HDB	5	3.5~5.5	0.1	0.5	9500	0.019	0.69	8.78	0.342	34.1	0.3
30×30×3.2	HDB	5	3.5~5.5	0.15	0.75	12500	0.027	0.96	16.18	0.631	41.4	0.3
30×30×3.2	HDB	5	3.5~5.5	0.25	1.25	15500	0.035	1.24	28.96	1.129	47.8	0.3

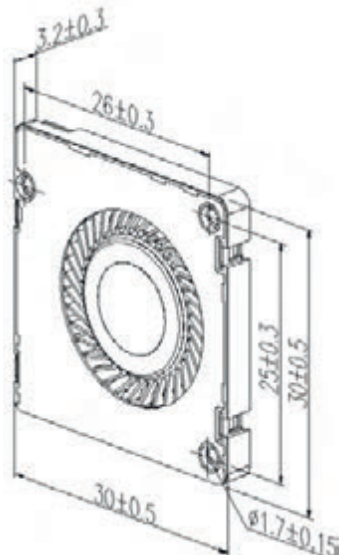
* Signal type is optional. 信号输出类型可以选择的

* The MAX. air flow & the speed are measured in free air ; MAX. air pressure is measured at zero air flow.
在正常气压下测试风扇最大风量以及转速, 在无流量条件下测试风扇最大风压

* All readings are typical values at rated voltage. 所有常规数值都是在额定电压下完成的;

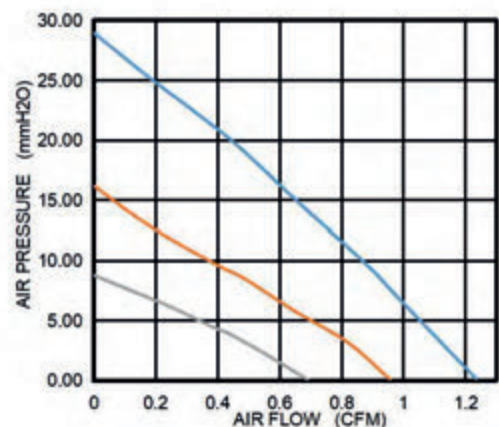
* SPEC. are subject to change without notice. 规格如果变更, 将另行通知

DIMENSIONS DRAWING (外观图)



Unit: mm

P&Q CURVE (AT RATED VOLTAGE)



30×30×4 Blower

General Specifications (普通规格)



- Material (材料):
Frame And Impeller: Plastic UL 94V-0 / SUS
底座和扇叶: 塑胶 (UL 94V-0) / SUS
- Lead Wires (导线): UL Type (UL类型)
RED Wire Positive(+) 红色线 正极
Black Wire Negative(黑色线 负极)
- Insulation Resistance: 10M Ω Or Over With a DC250V Megger
绝缘阻抗: 10MΩ 或者高于DC250V
- Dielectric Withstand Voltage: AC500V 1S
耐压测试: AC500V 1S
- Allowable Ambient Temperature Range:
环境温度范围:
-10℃~+70℃ (Operating) 工作温度
-40℃~+70℃ (Storage) 存储温度

MODEL 型号	BEARING TYPE 轴承类型	Rated Voltage 额定电压	Operating Voltage 工作电压	Rated Current 额定电流	Rated Input power 额定功率	Speed 转速	Maximum Air Flow 最大风量		Maximum Air Pressure 最大风压		Noise/Distance 噪音/距离	
		VDC	VDC	AMP	WATT	RPM	M ³ /Min	CFM	mmH ₂ O	INH ₂ O	dB (A)	m
30×30×4	HDB	5	3.5~5.5	0.1	0.5	9500	0.021	0.76	8.8	0.343	26.3	0.3
30×30×4	HDB	5	3.5~5.5	0.15	0.75	12500	0.027	0.96	16.9	0.659	41.3	0.3
30×30×4	HDB	5	3.5~5.5	0.25	1.25	15400	0.036	1.28	26.70	1.041	47.3	0.3

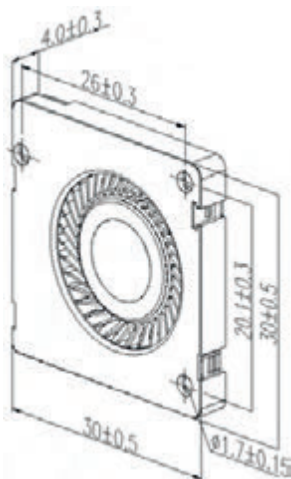
* Signal type is optional. 信号输出类型可以选择的

* The MAX. air flow & the speed are measured in free air ; MAX. air pressure is measured at zero air flow.
在正常气压下测试风扇最大风量以及转速, 在无流量条件下测试风扇最大风压

* All readings are typical values at rated voltage. 所有常规数值都是在额定电压下完成的;

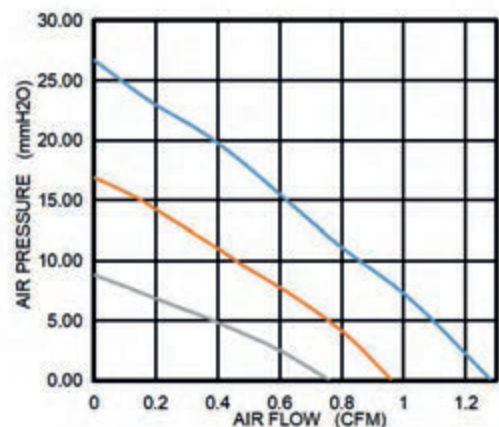
* SPEC. are subject to change without notice. 规格如果变更, 将另行通知

DIMENSIONS DRAWING (外观图)



Unit: mm

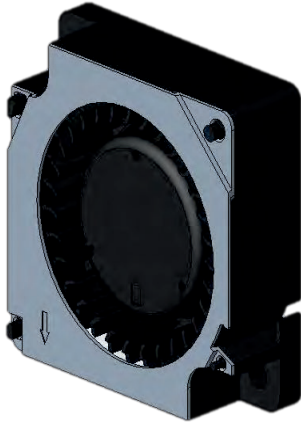
P&Q CURVE (AT RATED VOLTAGE)



30×30×10

Blower

General Specifications (普通规格)



●Material (材料):

Frame And Impeller: Plastic UL 94V-0 / SECC
底座和扇叶: 塑胶 (UL 94V-0) / SECC

●Lead Wires (导线): UL Type (UL类型)

RED Wire Positive(+) 红色线 正极
Black Wire Negative() 黑色线 负极

●Insulation Resistance: 10M Ω Or Over With a DC250V Megger

绝缘阻抗: 10MΩ 或者高于DC250V

●Dielectric Withstand Voltage: AC500V 1S

耐压测试: AC500V 1S

●Allowable Ambient Temperature Range:

环境温度范围:

-10°C ~ +70°C (Operating) 工作温度
-40°C ~ +70°C (Storage) 存储温度

MODEL 型号	BEARING TYPE 轴承类型	Rated Voltage 额定电压	Operating Voltage 工作电压	Rated Current 额定电流	Rated Input power 额定功率	Speed 转速	Maximum Air Flow 最大风量		Maximum Air Pressure 最大风压		Noise/Distance 噪音/距离	
		VDC	VDC	AMP	WATT		RPM	M ³ /Min	CFM	mmH ₂ O	INH ₂ O	dB (A)
30×30×10	HDB	5	3.5~5.5	0.12	0.6	7000	0.033	1.19	6.20	0.242	33.5	0.5

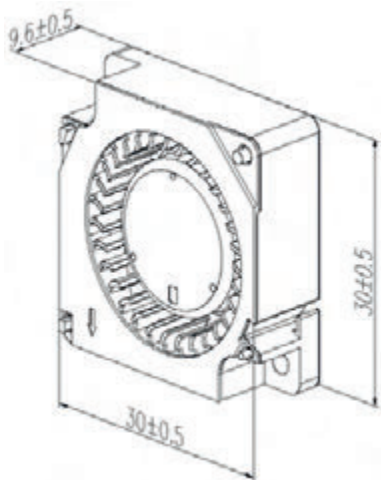
* Signal type is optional. 信号输出类型可以选择的

* The MAX. air flow & the speed are measured in free air ; MAX. air pressure is measured at zero air flow.
在正常气压下测试风扇最大风量以及转速, 在无流量条件下测试风扇最大风压

* All readings are typical values at rated voltage. 所有常规数值都是在额定电压下完成的;

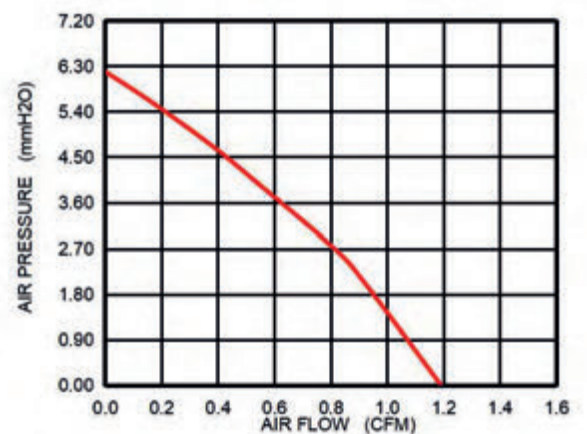
* SPEC. are subject to change without notice. 规格如果变更, 将另行通知

DIMENSIONS DRAWING (外观图)



Unit: mm

P&Q CURVE (AT RATED VOLTAGE)



35×35×5.5

Blower

General Specifications (普通规格)



Material (材料):

Frame And Impeller: Plastic UL 94V-0 / SUS
底座和扇叶: 塑胶 (UL 94V-0) / SUS

Lead Wires (导线): UL Type (UL类型)

RED Wire Positive(+) 红色线 正极
Black Wire Negative(-) 黑色线 负极

Insulation Resistance: 10M Ω Or Over With a DC250V Megger

绝缘阻抗: 10M Ω 或者高于DC250V

Dielectric Withstand Voltage: AC500V 1S

耐压测试: AC500V 1S

Allowable Ambient Temperature Range:

环境温度范围:

-10℃ ~ +70℃ (Operating) 工作温度
-40℃ ~ +75℃ (Storage) 存储温度

MODEL 型号	BEARING TYPE 轴承类型	Rated Voltage 额定电压	Operating Voltage 工作电压	Rated Current 额定电流	Rated Input power 额定功率	Speed 转速	Maximum Air Flow 最大风量		Maximum Air Pressure 最大风压		Noise/Distance 噪音/距离	
		VDC	VDC	AMP	WATT	RPM	m ³ /Min	CFM	mmH ₂ O	INH ₂ O	dB (A)	m
35×35×5.5	HDB	5	3.5~5.5	0.2	1	10000	0.053	1.88	14.72	0.574	53.8	0.1

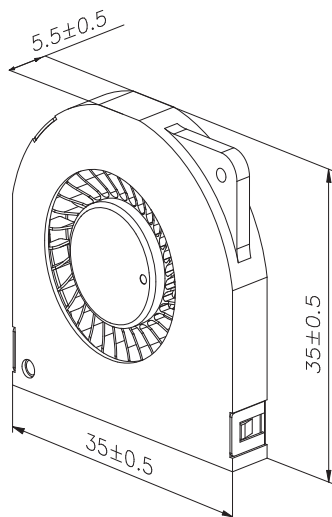
* Signal type is optional. 信号输出类型可以选择的

* The MAX. air flow & the speed are measured in free air ; MAX. air pressure is measured at zero air flow.
在正常气压下测试风扇最大风压以及转速, 在无流量条件下测试风扇最大风压

* All readings are typical values at rated voltage. 所有常规数值都是在额定电压下完成的;

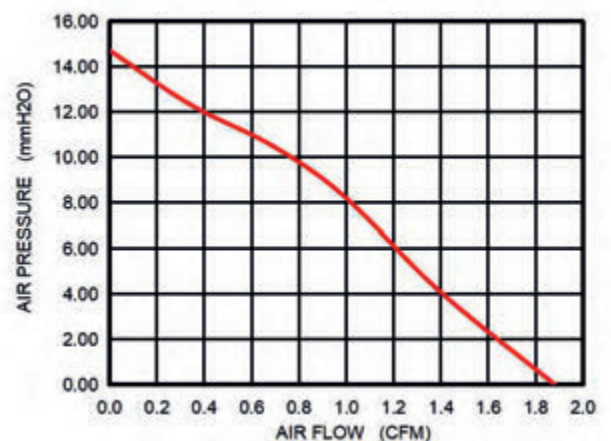
* SPEC. are subject to change without notice. 规格如果变更, 将另行通知

DIMENSIONS DRAWING (外观图)



Unit: mm

P&Q CURVE (AT RATED VOLTAGE)



35 × 35 × 5.5

Blower

General Specifications (普通规格)



Material (材料):

Frame And Impeller: Plastic UL 94V-0 / SUS
底座和扇叶: 塑胶 (UL 94V-0) / SUS

Lead Wires (导线): UL Type (UL类型)

RED Wire Positive(+) 红色线 正极
Black Wire Negative(-) 黑色线 负极

Insulation Resistance: 10M Ω Or Over With a DC250V Megger

绝缘阻抗: 10M Ω 或者高于DC250V

Dielectric Withstand Voltage: AC500V 1S

耐压测试: AC500V 1S

Allowable Ambient Temperature Range:

环境温度范围:

-10°C ~ +70°C (Operating) 工作温度
-40°C ~ +75°C (Storage) 存储温度

MODEL 型号	BEARING TYPE 轴承类型	Rated Voltage 额定电压	Operating Voltage 工作电压	Rated Current 额定电流	Rated Input power 额定功率	Speed 转速 RPM	Maximum Air Flow 最大风量		Maximum Air Pressure 最大风压		Noise/Distance 噪音/距离	
		VDC	VDC	AMP	WATT		M ³ /Min	CFM	mmH ₂ O	INH ₂ O	dB (A)	m
35×35×5.5	HDB	5	3.5~5.5	0.2	1	10000	0.053	1.88	14.72	0.574	53.8	0.1

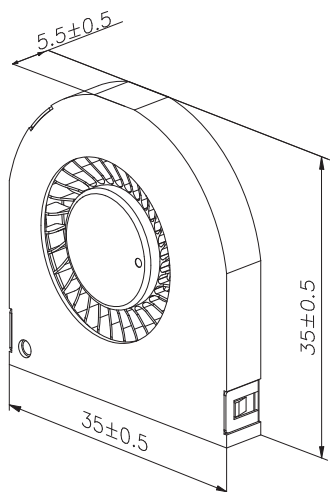
* Signal type is optional. 信号输出类型可以选择的

* The MAX. air flow & the speed are measured in free air ; MAX. air pressure is measured at zero air flow.
在正常气压下测试风扇最大风量以及转速, 在无流量条件下测试风扇最大风压

* All readings are typical values at rated voltage. 所有常规数值都是在额定电压下完成的;

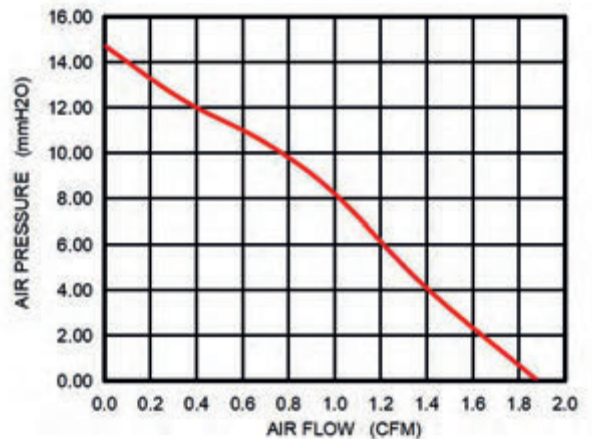
* SPEC. are subject to change without notice. 规格如果变更, 将另行通知

DIMENSIONS DRAWING (外观图)



Unit: mm

P&Q CURVE (AT RATED VOLTAGE)



34.7 × 34.2 × 5

Blower

General Specifications (普通规格)



Material (材料):

Frame And Impeller: Plastic UL 94V-0 /SGCC
底座和扇叶: 塑胶 (UL 94V-0) / SGCC

Lead Wires (导线): UL Type (UL类型)

RED Wire Positive(+) 红色线 正极
Black Wire Negative(-) 黑色线 负极

Insulation Resistance: 10M Ω Or Over With a DC250V Megger

绝缘阻抗: 10M Ω 或者高于DC250V

Dielectric Withstand Voltage: AC500V 1S

耐压测试: AC500V 1S

Allowable Ambient Temperature Range:

环境温度范围:

-10°C ~ +70°C (Operating) 工作温度
-40°C ~ +75°C (Storage) 存储温度

MODEL 型号	BEARING TYPE 轴承类型	Rated Voltage 额定电压	Operating Voltage 工作电压	Rated Current 额定电流	Rated Input power 额定功率	Speed 转速	Maximum Air Flow 最大风量		Maximum Air Pressure 最大风压		Noise/Distance 噪音/距离	
		VDC	VDC	AMP	WATT	RPM	M ³ /Min	CFM	mmH ₂ O	INH ₂ O	dB (A)	m
34.7 × 34.2 × 5	HDB	5	3.5 ~ 5.5	0.25	1.25	11000	0.048	1.73	22.29	0.869	56.0	0.1

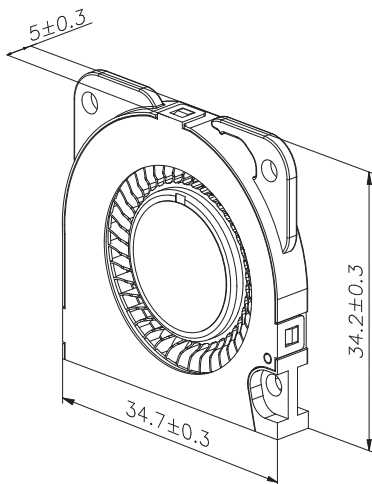
* Signal type is optional. 信号输出类型可以选择的

* The MAX. air flow & the speed are measured in free air; MAX. air pressure is measured at zero air flow.
在正常气压下测试风扇最大风压以及转速, 在无流量条件下测试风扇最大风压

* All readings are typical values at rated voltage. 所有常规数值都是在额定电压下完成的;

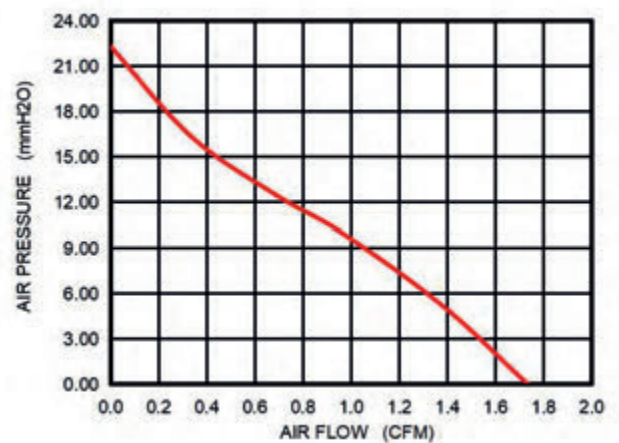
* SPEC. are subject to change without notice. 规格如果变更, 将另行通知

DIMENSIONS DRAWING (外观图)



Unit: mm

P&Q CURVE (AT RATED VOLTAGE)



40.01×40.01×7 Blower

■ General Specifications (普通规格)



●Material (材料):

Frame And Impeller: Plastic UL 94V-0 /SGCC
底座和扇叶: 塑胶 (UL 94V-0) /SGCC

●Lead Wires (导线):UL Type (UL类型)

RED Wire Positive(+) 红色线 正极
Black Wire Negative(-) 黑色线 负极

●Insulation Resistance:10M Ω Or Over With a DC250V Megger

绝缘阻抗: 10MΩ 或者高于DC250V

●Dielectric Withstand Voltage:AC500V 1S

耐压测试: AC500V 1S

●Allowable Ambient Temperature Range:

环境温度范围:

-10℃~+70℃ (Operating) 工作温度
-40℃~+75℃ (Storage) 存储温度

MODEL 型号	BEARING TYPE 轴承类型	Rated Voltage 额定电压	Operating Voltage 工作电压	Rated Current 额定电流	Rated Input power 额定功率	Speed 转速	Maximum Air Flow 最大风量		Maximum Air Pressure 最大风压		Noise/Distance 噪音/距离	
		VDC	VDC	AMP	WATT	RPM	M ³ /Min	CFM	mmH ₂ O	INH ₂ O	dB (A)	m
40.01×40.01×7	HDB	5	2.5~5.5	0.25	1.25	5100	0.137	4.9	4.2	0.164	35.5	0.5

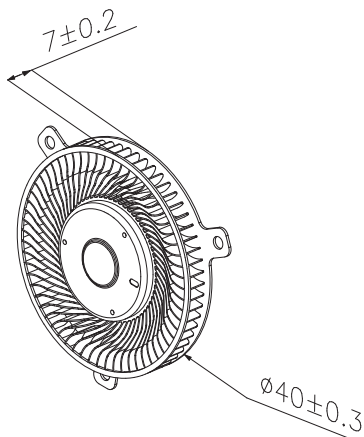
* Signal type is optional. 信号输出类型可以选择的

* The MAX. air flow & the speed are measured in free air ; MAX.air pressure is measured at zero air flow.
在正常气压下测试风扇最大风压以及转速, 在无流量条件下测试风扇最大风压

* All readings are typical values at rated voltage. 所有常规数值都是在额定电压下完成的;

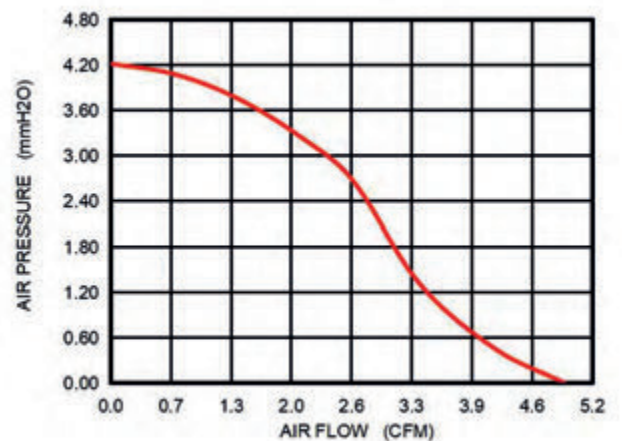
* SPEC. are subject to change without notice. 规格如果变更, 将另行通知

■ DIMENSIONS DRAWING(外观图)



Unit: mm

■ P&Q CURVE(AT RATED VOLTAGE)



55×49.5×5.0

Blower

■ General Specifications (普通规格)



●Material (材料):

Frame And Impeller: Plastic UL 94V-0 / SECC
底座和扇叶: 塑胶 (UL 94V-0) / SECC

●Lead Wires (导线): UL Type (UL类型)

RED Wire Positive(+) 红色线 正极

Black Wire Negative() 黑色线 负极

●Insulation Resistance: 10M Ω Or Over With a DC250V Megger

绝缘阻抗: 10M Ω 或者高于DC250V

●Dielectric Withstand Voltage: AC500V 1S

耐压测试: AC500V 1S

●Allowable Ambient Temperature Range:

环境温度范围:

-10°C ~ +70°C (Operating) 工作温度

-40°C ~ +70°C (Storage) 存储温度

MODEL 型号	BEARING TYPE 轴承类型	Rated Voltage 额定电压	Operating Voltage 工作电压	Rated Current 额定电流	Rated Input power 额定功率	Speed 转速	Maximum Air Flow 最大风量		Maximum Air Pressure 最大风压		Noise/Distance 噪音/距离	
		VDC	VDC	AMP	WATT	RPM	M ³ /Min	CFM	mmH ₂ O	INH ₂ O	dB (A)	m
55×49.5×5.0	HDB	5	3.5~5.5	0.28	1.4	5200	0.062	2.2	11.54	0.454	32.8	0.3

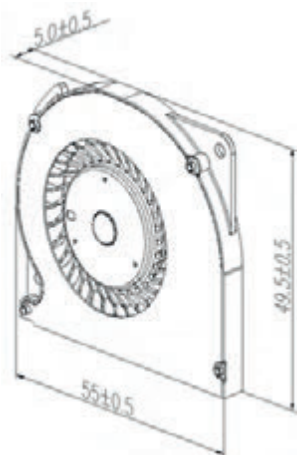
* Signal type is optional. 信号输出类型可以选择的

* The MAX. air flow & the speed are measured in free air ; MAX. air pressure is measured at zero air flow.
在正常气压下测试风扇最大风量以及转速, 在无流量条件下测试风扇最大风压

* All readings are typical values at rated voltage. 所有常规数值都是在额定电压下完成的;

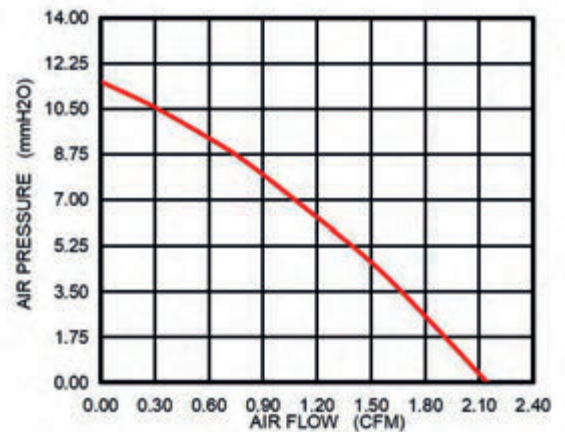
* SPEC. are subject to change without notice. 规格如果变更, 将另行通知

■ DIMENSIONS DRAWING (外观图)



Unit: mm

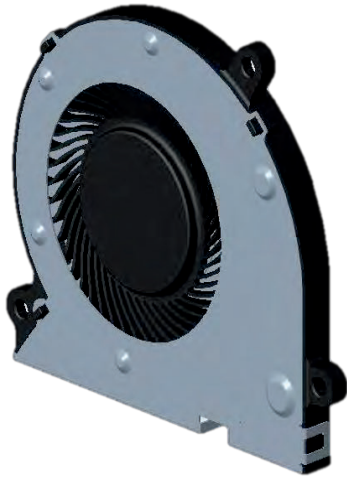
■ P&Q CURVE (AT RATED VOLTAGE)



55×51.4×4.8

Blower

General Specifications (普通规格)



Material (材料):

Frame And Impeller: Plastic UL 94V-0 / SECC
底座和扇叶: 塑胶 (UL 94V-0) / SECC

Lead Wires (导线): UL Type (UL类型)

RED Wire Positive(+) 红色线 正极
Black Wire Negative(-) 黑色线 负极

Insulation Resistance: 10M Ω Or Over With a DC250V Megger

绝缘阻抗: 10MΩ 或者高于DC250V

Dielectric Withstand Voltage: AC500V 1S

耐压测试: AC500V 1S

Allowable Ambient Temperature Range:

环境温度范围:

-10°C ~ +70°C (Operating) 工作温度
-40°C ~ +70°C (Storage) 存储温度

MODEL 型号	BEARING TYPE 轴承类型	Rated Voltage 额定电压	Operating Voltage 工作电压	Rated Current 额定电流	Rated Input power 额定功率	Speed 转速	Maximum Air Flow 最大风量		Maximum Air Pressure 最大风压		Noise/Distance 噪音/距离	
		VDC	VDC	AMP	WATT	RPM	M ³ /Min	CFM	mmH ₂ O	INH ₂ O	dB (A)	m
55×51.4×4.8	HDB	5	3.5~5.5	0.4	2	7400	0.075	2.68	19.90	0.776	42.8	0.5

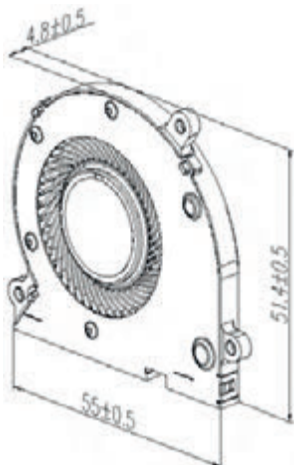
* Signal type is optional. 信号输出类型可以选择的

* The MAX. air flow & the speed are measured in free air ; MAX. air pressure is measured at zero air flow.
在正常气压下测试风扇最大风压以及转速, 在无流量条件下测试风扇最大风压

* All readings are typical values at rated voltage. 所有常规数值都是在额定电压下完成的;

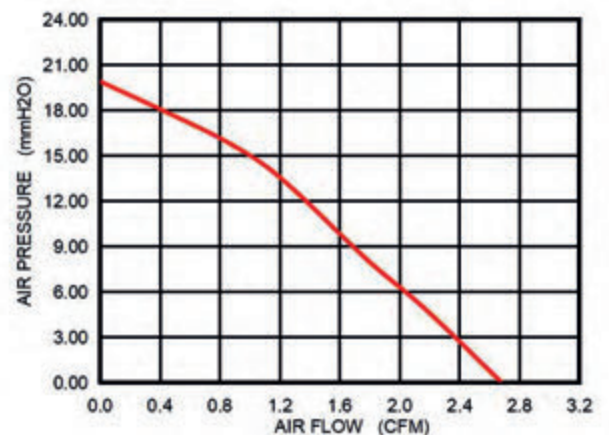
* SPEC. are subject to change without notice. 规格如果变更, 将另行通知

DIMENSIONS DRAWING (外观图)



Unit: mm

P&Q CURVE (AT RATED VOLTAGE)



55×52.5×5.5 Blower

General Specifications (普通规格)



Material (材料):

Frame And Impeller: Plastic UL 94V-0 / SGCC
底座和扇叶: 塑胶 (UL 94V-0) / SGCC

Lead Wires (导线): UL Type (UL类型)

RED Wire Positive(+) 红色线 正极
Black Wire Negative(-) 黑色线 负极

Insulation Resistance: 10M Ω Or Over With a DC250V Megger

绝缘阻抗: 10MΩ 或者高于DC250V

Dielectric Withstand Voltage: AC500V 1S

耐压测试: AC500V 1S

Allowable Ambient Temperature Range:

环境温度范围:

-10°C ~ +70°C (Operating) 工作温度
-40°C ~ +75°C (Storage) 存储温度

8

MODEL 型号	BEARING TYPE 轴承类型	Rated Voltage 额定电压	Operating Voltage 工作电压	Rated Current 额定电流	Rated Input power 额定功率	Speed 转速 RPM	Maximum Air Flow 最大风量		Maximum Air Pressure 最大风压		Noise/Distance 噪音/距离	
		VDC	VDC	AMP	WATT		M ³ /Min	CFM	mmH ₂ O	INH ₂ O	dB(A)	m
55×52.5×5.5	HDB	5	3.5~5.5	0.2	1	5500	0.084	3	11.54	0.450	36.6	0.5

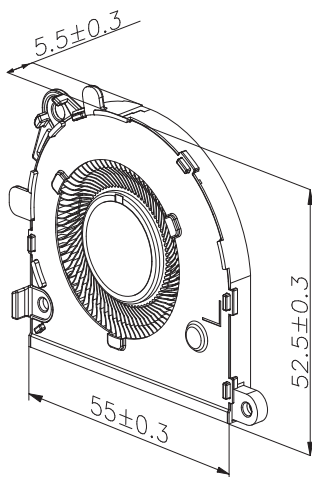
* Signal type is optional. 信号输出类型可以选择的

* The MAX. air flow & the speed are measured in free air ; MAX. air pressure is measured at zero air flow.
在正常气压下测试风扇最大风量以及转速, 在无流量条件下测试风扇最大风压

* All readings are typical values at rated voltage. 所有常规数值都是在额定电压下完成的;

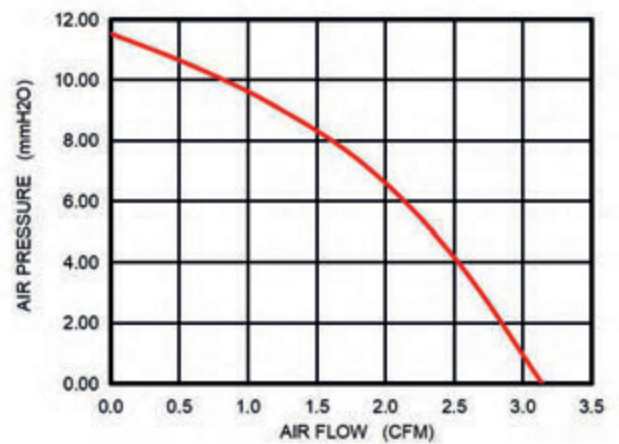
* SPEC. are subject to change without notice. 规格如果变更, 将另行通知

DIMENSIONS DRAWING (外观图)



Unit: mm

P&Q CURVE (AT RATED VOLTAGE)



51.14×51.47×15.2 Blower



General Specifications (普通规格)

Material (材料):

Frame And Impeller: Plastic UL 94V-0
底座和扇叶: 塑胶 (UL 94V-0)

Lead Wires (导线): UL Type (UL类型)

RED Wire Positive(+) 红色线 正极

Black Wire Negative() 黑色线 负极

Insulation Resistance: 10M Ω Or Over With a DC500V Megger

绝缘阻抗: 10MΩ 或者高于DC500V

Dielectric Withstand Voltage: AC500V 1S

耐压测试: AC500V 1S

Allowable Ambient Temperature Range:

环境温度范围:

-10°C ~ +70°C (Operating) 工作温度

-40°C ~ +70°C (Storage) 存储温度

MODEL 型号	BEARING TYPE 轴承类型	Rated Voltage 额定电压	Operating Voltage 工作电压	Rated Current 额定电流	Rated Input power 额定功率	Speed 转速 RPM	Maximum Air Flow 最大风量		Maximum Air Pressure 最大风压		Noise/Distance 噪音/距离	
		VDC	VDC	AMP	WATT		M ³ /Min	CFM	mmH ₂ O	INH ₂ O	dB(A)	m
B52BBH	BB/HDB	12	7~13.2	0.13	1.5	4000	0.092	3.29	12.11	0.477	34.1	1
B52BBV	BB/HDB	12	7~13.2	0.20	2.50	6000	0.138	4.94	27.24	1.072	42.9	1
B52BBU	BB	12	7~13.2	0.35	4.20	8000	0.184	6.58	48.43	1.907	49.6	1
B52BBH	BB/HDB	24	18.0~26.4	0.06	1.5	4000	0.092	3.29	12.11	0.477	34.1	1
B52BBV	BB/HDB	24	18.0~26.4	0.10	2.50	6000	0.138	4.94	27.24	1.072	42.9	1
B52BBU	BB	24	18.0~26.4	0.18	4.20	8000	0.184	6.58	48.43	1.907	49.6	1

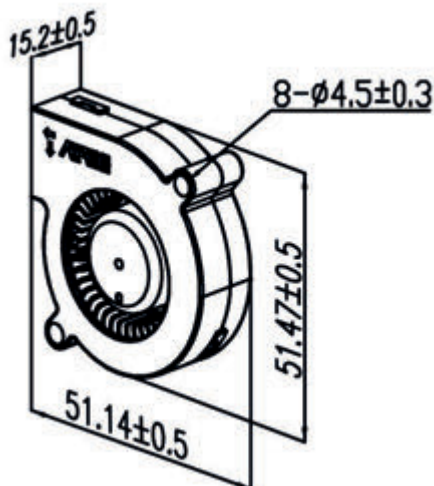
* Signal type is optional. 信号输出类型可以选择的

* The MAX. air flow & the speed are measured in free air; MAX. air pressure is measured at zero air flow.
在正常气压下测试风扇最大风压以及转速, 在无流量条件下测试风扇最大风压

* All readings are typical values at rated voltage. 所有常规数值都是在额定电压下完成的;

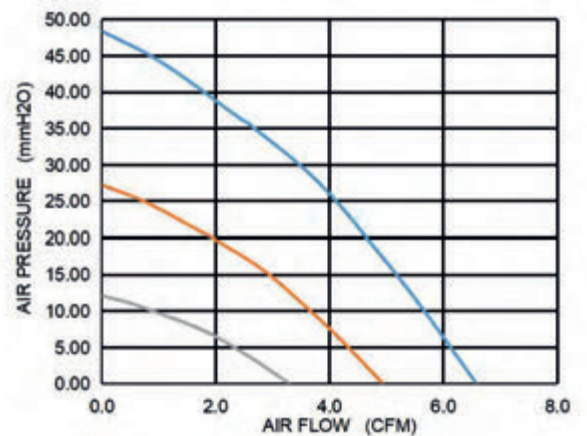
* SPEC. are subject to change without notice. 规格如果变更, 将另行通知

DIMENSIONS DRAWING (外观图)



Unit: mm

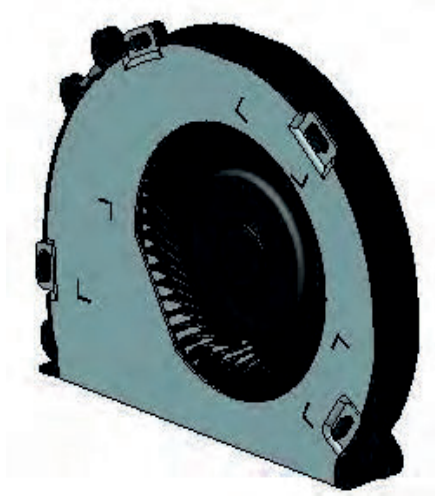
P&Q CURVE (AT RATED VOLTAGE)



56 × 46 × 7

Blower

General Specifications (普通规格)



Material (材料):

Frame And Impeller: Plastic UL 94V-0 / SGCC
底座和扇叶: 塑胶 (UL 94V-0) / SGCC

Lead Wires (导线): UL Type (UL类型)

RED Wire Positive (+) 红色线 正极
Black Wire Negative 黑色线 负极

Insulation Resistance: 10M Ω Or Over With a DC250V Megger

绝缘阻抗: 10MΩ 或者高于DC250V

Dielectric Withstand Voltage: AC500V 1S

耐压测试: AC500V 1S

Allowable Ambient Temperature Range:

环境温度范围:

-10°C ~ +70°C (Operating) 工作温度
-40°C ~ +70°C (Storage) 存储温度

MODEL 型号	BEARING TYPE 轴承类型	Rated Voltage 额定电压	Operating Voltage 工作电压	Rated Current 额定电 流	Rated Input power 额定功	Speed 转速	Maximum Air Flow 最大风量		Maximum Air Pressure 最大风压		Noise/Distance 噪音/距离	
		VDC	VDC	AMP	WATT	RPM	M ³ /Min	CFM	mmH ₂ O	INH ₂ O	dB (A)	m
56 × 46 × 7	HDB	5	3.5 ~ 5.5	0.4	2	5600	0.090	3.19	13.85	0.545	37.2	0.5

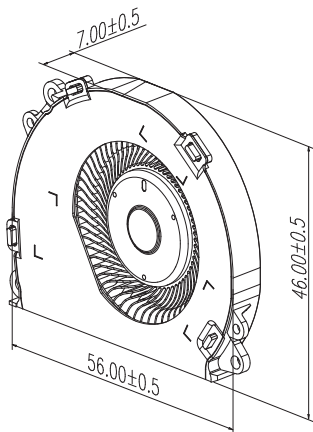
* Signal type is optional. 信号输出类型可以选择的

* The MAX. air flow & the speed are measured in free air ; MAX. air pressure is measured at zero air flow.
在正常气压下测试风扇最大风量以及转速, 在无流量条件下测试风扇最大风压

* All readings are typical values at rated voltage. 所有常规数值都是在额定电压下完成的;

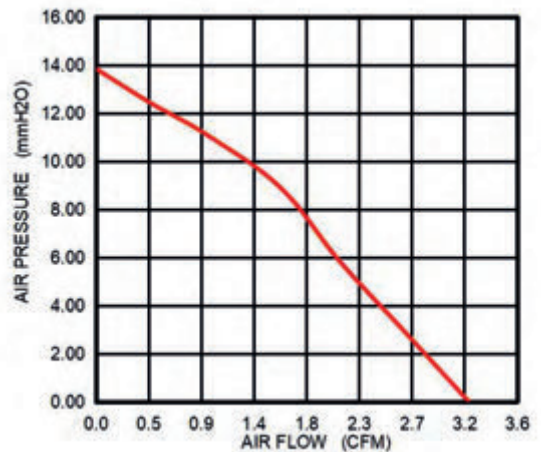
* SPEC. are subject to change without notice. 规格如果变更, 将另行通知

DIMENSIONS DRAWING (外观图)



Unit: mm

P&Q CURVE (AT RATED VOLTAGE)



56 × 50 × 5

Blower

General Specifications (普通规格)



Material (材料):

Frame And Impeller: Plastic UL 94V-0 / SGCC
底座和扇叶: 塑胶 (UL 94V-0) / SGCC

Lead Wires (导线): UL Type (UL类型)

RED Wire Positive (红色线 正极)
Black Wire Negative (黑色线 负极)

Insulation Resistance: 10M Ω Or Over With a DC250V Megger

绝缘阻抗: 10M Ω 或者高于DC250V

Dielectric Withstand Voltage: AC500V 1S

耐压测试: AC500V 1S

Allowable Ambient Temperature Range:

环境温度范围:

-10°C ~ +70°C (Operating) 工作温度
-40°C ~ +70°C (Storage) 存储温度

MODEL 型号	BEARING TYPE 轴承类型	Rated Voltage 额定电压	Operating Voltage 工作电压	Rated Current 额定电 流	Rated Input power 额定功	Speed 转速	Maximum Air Flow 最大风量		Maximum Air Pressure 最大风压		Noise/Distance 噪音/距离	
		VDC	VDC	AMP	WATT	RPM	M ³ /Min	CFM	mmH ₂ O	INH ₂ O	dB (A)	m
56 × 50 × 5	HDB	5	3.5 ~ 5.5	0.35	1.75	4800	0.051	1.82	11.4	0.449	29.5	0.5

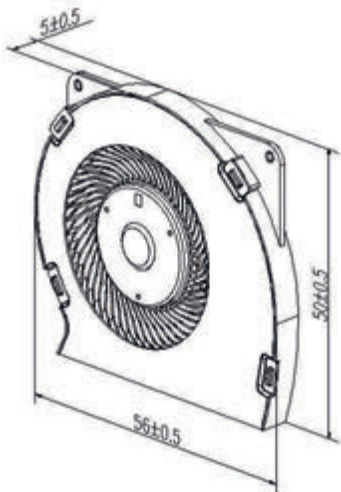
* Signal type is optional. 信号输出类型可以选择的

* The MAX. air flow & the speed are measured in free air; MAX. air pressure is measured at zero air flow.
在正常气压下测试风扇最大风量以及转速, 在无流量条件下测试风扇最大风压

* All readings are typical values at rated voltage. 所有常规数值都是在额定电压下完成的;

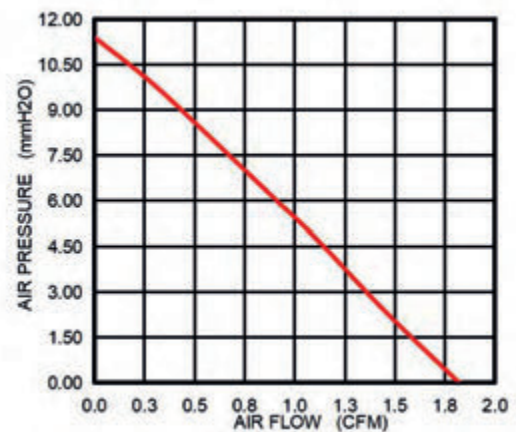
* SPEC. are subject to change without notice. 规格如果变更, 将另行通知

DIMENSIONS DRAWING (外观图)



Unit: mm

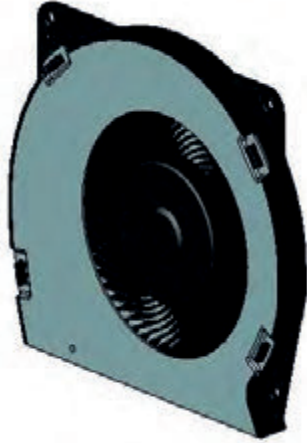
P&Q CURVE (AT RATED VOLTAGE)



56 × 50 × 5

Blower

■ General Specifications (普通规格)



●Material (材料) :

Frame And Impeller: Plastic UL 94V-0 / SGCC
底座和扇叶: 塑胶 (UL 94V-0) / SGCC

●Lead Wires (导线) :UL Type (UL类型)

RED Wire Positive(+) 红色线 正极
Black Wire Negative 黑色线 负极

●Insulation Resistance:10M Ω Or Over With a DC250V Megger

绝缘阻抗: 10M Ω 或者高于DC250V

●Dielectric Withstand Voltage:AC500V 1S

耐压测试: AC500V 1S

●Allowable Ambient Temperature Range:

环境温度范围:

-10℃~+70℃ (Operating) 工作温度

-40℃~+70℃ (Storage) 存储温度

MODEL 型号	BEARING TYPE 轴承类型	Rated Voltage 额定电压	Operating Voltage 工作电压	Rated Current 额定电 流	Rated Input power 额定功	Speed 转速 RPM	Maximum Air Flow 最大风量		Maximum Air Pressure 最大风压		Noise/Distance 噪音/距离	
		VDC	VDC	AMP	WATT		M ³ /Min	CFM	mmH ₂ O	INH ₂ O	dB(A)	m
56×50×5	HDB	5	3.5~5.5	0.35	1.75	4800	0.051	1.79	10.5	0.413	29.5	0.5

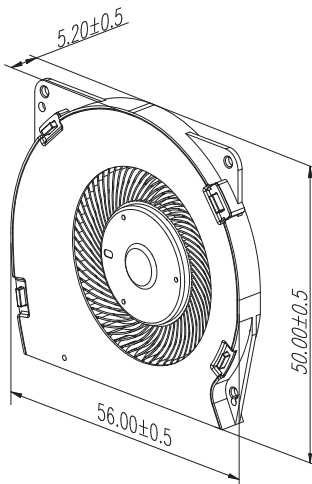
* Signal type is optional. 信号输出类型可以选择的

* The MAX. air flow & the speed are measured in free air ; MAX. air pressure is measured at zero air flow.
在正常气压下测试风扇最大风量以及转速, 在无流量条件下测试风扇最大风压

* All readings are typical values at rated voltage. 所有常规数值都是在额定电压下完成的;

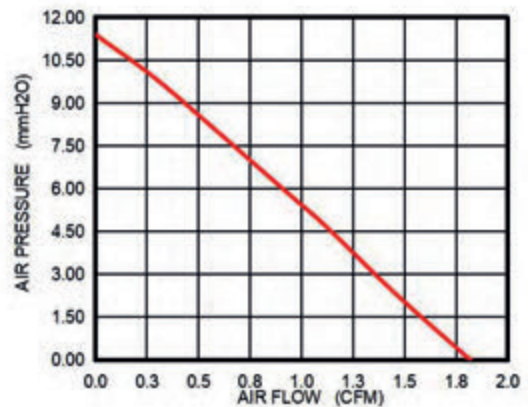
* SPEC. are subject to change without notice. 规格如果变更, 将另行通知

■ DIMENSIONS DRAWING (外观图)



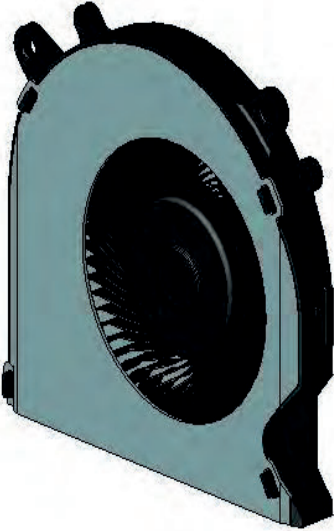
Unit: mm

■ P&Q CURVE (AT RATED VOLTAGE)



56×53.6×7.2 Blower

General Specifications (普通规格)



Material (材料):

Frame And Impeller: Plastic UL 94V-0 / SGCC
底座和扇叶: 塑胶 (UL 94V-0) / SGCC

Lead Wires (导线): UL Type (UL类型)

RED Wire Positive 红色线 正极
Black Wire Negative 黑色线 负极

Insulation Resistance: 10M Ω Or Over With a DC250V Megger

绝缘阻抗: 10M Ω 或者高于DC250V

Dielectric Withstand Voltage: AC500V 1S

耐压测试: AC500V 1S

Allowable Ambient Temperature Range:

环境温度范围:

-10°C ~ +70°C (Operating) 工作温度

-40°C ~ +70°C (Storage) 存储温度

MODEL 型号	BEARING TYPE 轴承类型	Rated Voltage 额定电压	Operating Voltage 工作电压	Rated Current 额定电	Rated Input power 额定功	Speed 转速 RPM	Maximum Air Flow 最大风量		Maximum Air Pressure 最大风压		Noise/Distance 噪音/距离	
		VDC	VDC	AMP	WATT		M ³ /Min	CFM	mmH ₂ O	INH ₂ O	dB (A)	m
56×53.6×7.2	HDB	5	3.5~5.5	0.22	1.1	4000	0.074	2.61	7.8	0.307	27.5	0.5

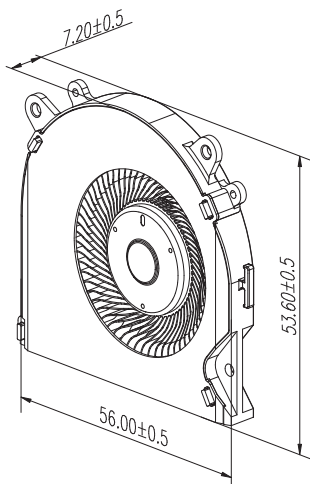
* Signal type is optional. 信号输出类型可以选择的

* The MAX. air flow & the speed are measured in free air ; MAX. air pressure is measured at zero air flow.
在正常气压下测试风扇最大风压以及转速, 在无流量条件下测试风扇最大风压

* All readings are typical values at rated voltage. 所有常规数值都是在额定电压下完成的;

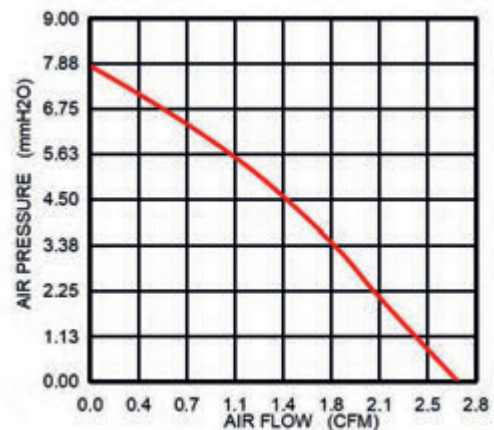
* SPEC. are subject to change without notice. 规格如果变更, 将另行通知

DIMENSIONS DRAWING (外观图)



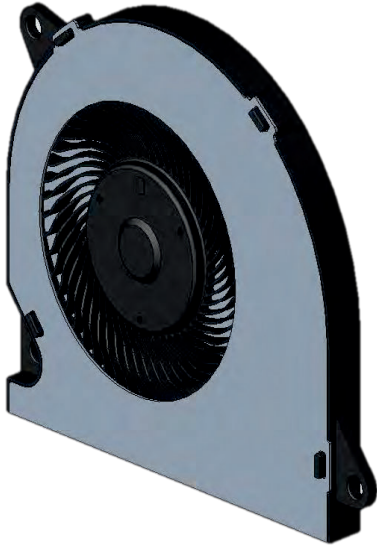
Unit: mm

P&Q CURVE (AT RATED VOLTAGE)



59.3 × 55.6 × 5.6 Blower

■ General Specifications (普通规格)



●Material (材料):

Frame And Impeller: Plastic UL 94V-0 / SGCC
底座和扇叶: 塑胶 (UL 94V-0) / SGCC

●Lead Wires (导线): UL Type (UL类型)

RED Wire Positive(+) 红色线 正极

Black Wire Negative(黑色线 负极

●Insulation Resistance: 10M Ω Or Over With a DC250V Megger

绝缘阻抗: 10M Ω 或者高于DC250V

●Dielectric Withstand Voltage: AC500V 1S

耐压测试: AC500V 1S

●Allowable Ambient Temperature Range:

环境温度范围:

-10°C ~ +70°C (Operating) 工作温度

-40°C ~ +70°C (Storage) 存储温度

MODEL 型号	BEARING TYPE 轴承类型	Rated Voltage 额定电压	Operating Voltage 工作电压	Rated Current 额定电流	Rated Input power 额定功率	Speed 转速	Maximum Air Flow 最大风量		Maximum Air Pressure 最大风压		Noise/Distance 噪音/距离	
		VDC	VDC	AMP	WATT	RPM	M ³ /Min	CFM	mmH ₂ O	INH ₂ O	dB (A)	m
59.3 × 55.6 × 5.6	HDB	5	3.5 ~ 5.5	0.38	1.9	6700	0.095	3.4	18.34	0.715	41.1	0.5

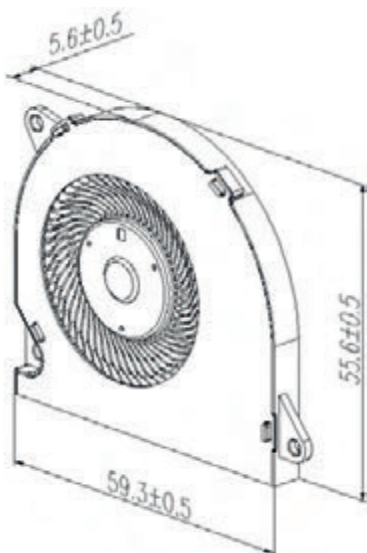
* Signal type is optional. 信号输出类型可以选择的

* The MAX. air flow & the speed are measured in free air ; MAX. air pressure is measured at zero air flow.
在正常气压下测试风扇最大风量以及转速, 在无流量条件下测试风扇最大风压

* All readings are typical values at rated voltage. 所有常规数值都是在额定电压下完成的;

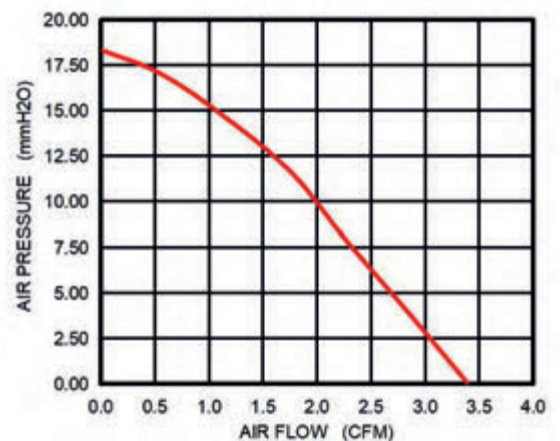
* SPEC. are subject to change without notice. 规格如果变更, 将另行通知

■ DIMENSIONS DRAWING (外观图)



Unit: mm

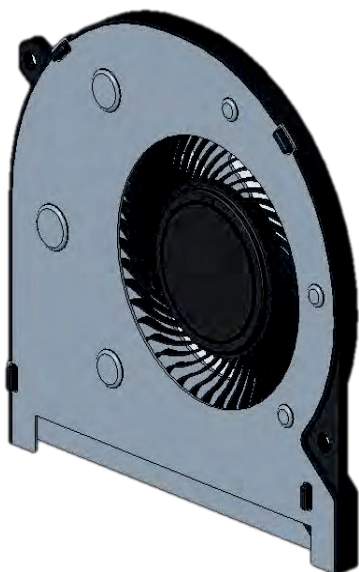
■ P&Q CURVE (AT RATED VOLTAGE)



63×63×4.0

Blower

General Specifications (普通规格)



Material (材料):

Frame And Impeller: Plastic UL 94V-0 / SECC
底座和扇叶: 塑胶 (UL 94V-0) / SECC

Lead Wires (导线): UL Type (UL类型)

RED Wire Positive(+) 红色线 正极
Black Wire Negative(黑色线 负极

Insulation Resistance: 10M Ω Or Over With a DC250V Megger

绝缘阻抗: 10M Ω 或者高于DC250V

Dielectric Withstand Voltage: AC500V 1S

耐压测试: AC500V 1S

Allowable Ambient Temperature Range:

环境温度范围:

-10°C ~ +70°C (Operating) 工作温度

-40°C ~ +70°C (Storage) 存储温度

MODEL 型号	BEARING TYPE 轴承类型	Rated Voltage 额定电压	Operating Voltage 工作电压	Rated Current 额定电流	Rated Input power 额定功率	Speed 转速	Maximum Air Flow 最大风量		Maximum Air Pressure 最大风压		Noise/Distance 噪音/距离	
		VDC	VDC	AMP	WATT	RPM	M ³ /Min	CFM	mmH ₂ O	INH ₂ O	dB (A)	m
63×63×4.0	HDB	5	3.5~5.5	0.4	2	5700	0.060	2.15	14.5	0.566	35.0	0.5

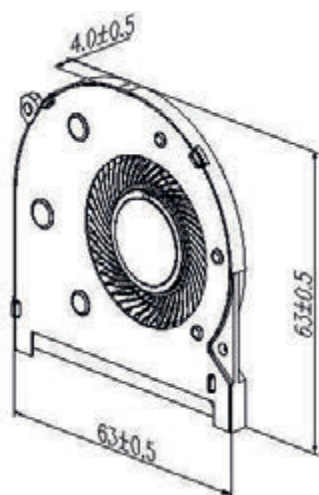
* Signal type is optional. 信号输出类型可以选择的

* The MAX. air flow & the speed are measured in free air ; MAX. air pressure is measured at zero air flow.
在正常气压下测试风扇最大风量以及转速, 在无流量条件下测试风扇最大风压

* All readings are typical values at rated voltage. 所有常规数值都是在额定电压下完成的;

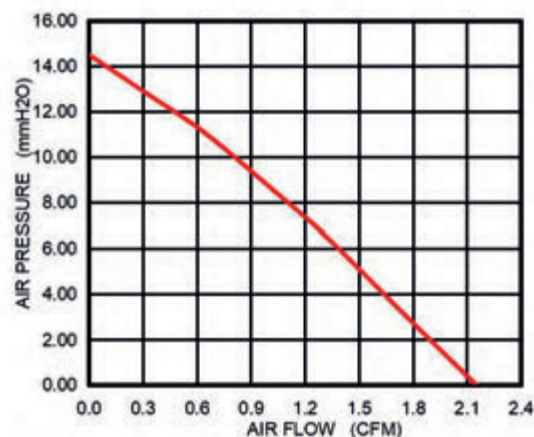
* SPEC. are subject to change without notice. 规格如果变更, 将另行通知

DIMENSIONS DRAWING (外观图)



Unit: mm

P&Q CURVE (AT RATED VOLTAGE)



63.7×57×4 Blower

General Specifications (普通规格)

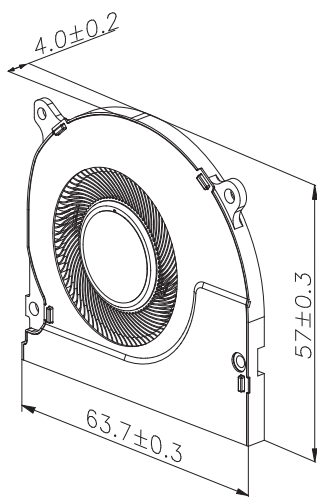


- Material (材料):
Frame And Impeller: Plastic UL 94V-0 /SGCC
底座和扇叶: 塑胶 (UL 94V-0) /SGCC
- Lead Wires (导线) :UL Type (UL类型)
RED Wire Positive(+) 红色线 正极
Black Wire Negative(黑色线 负极
- Insulation Resistance:10M Ω Or Over With a DC250V Megger
绝缘阻抗: 10MΩ 或者高于D250V
- Dielectric Withstand Voltage:AC500V 1S
耐压测试: AC500V 1S
- Allowable Ambient Temperature Range:
环境温度范围:
-10℃~+70℃ (Operating) 工作温度
-40℃~+75℃ (Storage) 存储温度

MODEL 型号	BEARING TYPE 轴承类型	Rated Voltage 额定电压	Operating Voltage 工作电压	Rated Current 额定电流	Rated Input power 额定功率	Speed 转速 RPM	Maximum Air Flow 最大风量		Maximum Air Pressure 最大风压		Noise/Distance 噪音/距离	
		VDC	VDC	AMP	WATT		M ³ /Min	CFM	mmH ₂ O	INH ₂ O	dB (A)	m
63.7×57×4	HDB	5	3.5~5.5	0.4	2	5400	0.060	2.14	12.24	0.477	34.9	0.5

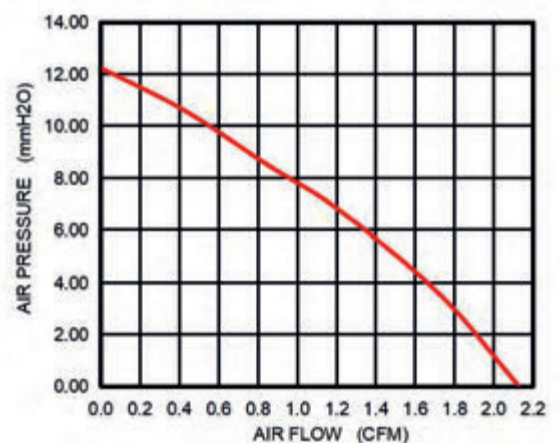
- * Signal type is optional. 信号输出类型可以选择的
- * The MAX. air flow & the speed are measured in free air ; MAX.air pressure is measured at zero air flow.
在正常气压下测试风扇最大风压以及转速, 在无流量条件下测试风扇最大风压
- * All readings are typical values at rated voltage. 所有常规数值都是在额定电压下完成的;
- * SPEC. are subject to change without notice. 规格如果变更, 将另行通知

DIMENSIONS DRAWING (外观图)



Unit: mm

P&Q CURVE (AT RATED VOLTAGE)



60×54×5 Blower

General Specifications (普通规格)



Material (材料):

Frame And Impeller: Plastic UL 94V-0 /SGCC
底座和扇叶: 塑胶 (UL 94V-0) /SGCC

Lead Wires (导线): UL Type (UL类型)

RED Wire Positive(+) 红色线 正极

Black Wire Negative() 黑色线 负极

Insulation Resistance: 10M Ω Or Over With a DC250V Megger

绝缘阻抗: 10M Ω 或者高于DC250V

Dielectric Withstand Voltage: AC500V 1S

耐压测试: AC500V 1S

Allowable Ambient Temperature Range:

环境温度范围:

-10°C ~ +70°C (Operating) 工作温度

-40°C ~ +75°C (Storage) 存储温度

MODEL 型号	BEARING TYPE 轴承类型	Rated Voltage 额定电压	Operating Voltage 工作电压	Rated Current 额定电流	Rated Input power 额定功率	Speed 转速	Maximum Air Flow 最大风量		Maximum Air Pressure 最大风压		Noise/Distance 噪音/距离	
		VDC	VDC	AMP	WATT	RPM	M ³ /Min	CFM	mmH ₂ O	INH ₂ O	dB (A)	m
60×54×5	HDB	5	3.5~5.5	0.3	1.5	5500	0.090	3.23	16.67	0.650	36.8	0.5

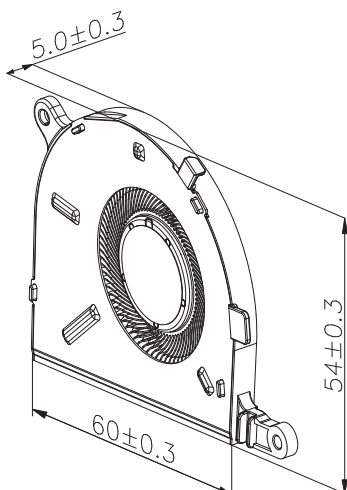
* Signal type is optional. 信号输出类型可以选择的

* The MAX. air flow & the speed are measured in free air ; MAX. air pressure is measured at zero air flow.
在正常气压下测试风扇最大风量以及转速, 在无流量条件下测试风扇最大风压

* All readings are typical values at rated voltage. 所有常规数值都是在额定电压下完成的;

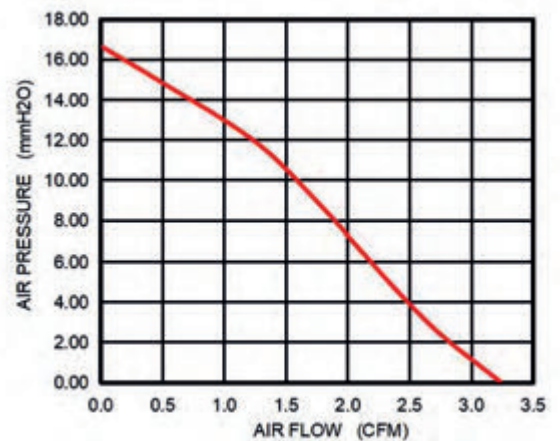
* SPEC. are subject to change without notice. 规格如果变更, 将另行通知

DIMENSIONS DRAWING (外观图)



Unit: mm

P&Q CURVE (AT RATED VOLTAGE)



60×52×5 Blower

General Specifications (普通规格)



Material (材料):

Frame And Impeller: Plastic UL 94V-0 / SGCC
底座和扇叶: 塑胶 (UL 94V-0) / SGCC

Lead Wires (导线): UL Type (UL类型)

RED Wire Positive(+) 红色线 正极
Black Wire Negative(-) 黑色线 负极

Insulation Resistance: 10M Ω Or Over With a DC250V Megger

绝缘阻抗: 10M Ω 或者高于DC250V

Dielectric Withstand Voltage: AC500V 1S

耐压测试: AC500V 1S

Allowable Ambient Temperature Range:

环境温度范围:

-10°C ~ +70°C (Operating) 工作温度
-40°C ~ +75°C (Storage) 存储温度

MODEL 型号	BEARING TYPE 轴承类型	Rated Voltage 额定电压	Operating Voltage 工作电压	Rated Current 额定电流	Rated Input power 额定功率	Speed 转速	Maximum Air Flow 最大风量		Maximum Air Pressure 最大风压		Noise/Distance 噪音/距离	
		VDC	VDC	AMP	WATT	RPM	M ³ /Min	CFM	mmH ₂ O	INH ₂ O	dB (A)	m
60×52×5	HDB	5	3.5~5.5	0.3	1.5	5500	0.085	3.03	16.28	0.635	36.7	0.5

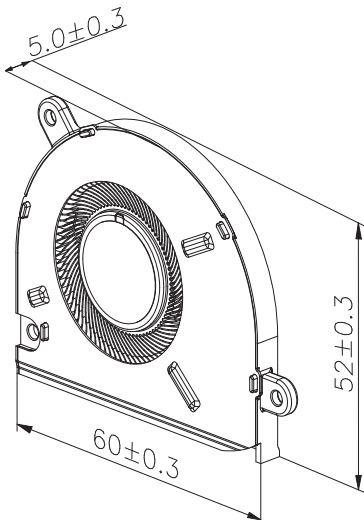
* Signal type is optional. 信号输出类型可以选择的

* The MAX. air flow & the speed are measured in free air ; MAX. air pressure is measured at zero air flow.
在正常气压下测试风扇最大风压以及转速, 在无流量条件下测试风扇最大风压

* All readings are typical values at rated voltage. 所有常规数值都是在额定电压下完成的;

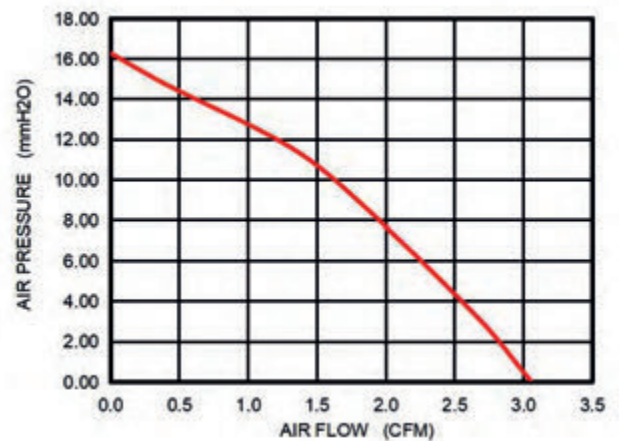
* SPEC. are subject to change without notice. 规格如果变更, 将另行通知

DIMENSIONS DRAWING (外观图)



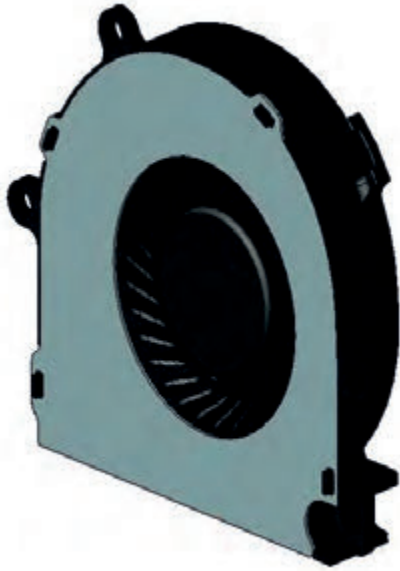
Unit: mm

P&Q CURVE (AT RATED VOLTAGE)



60×59.6×12.0

Blower



General Specifications (普通规格)

- Material (材料):
Frame And Impeller: Plastic UL 94V-0
底座和扇叶: 塑胶 (UL 94V-0) / SGCC
- Lead Wires (导线): UL Type (UL类型)
RED Wire Positive(+) 红色线 正极
Black Wire Negative(黑色线 负极
- Insulation Resistance: 10M Ω Or Over With a DC250V Megger
绝缘阻抗: 10M Ω 或者高于DC250V
- Dielectric Withstand Voltage: AC500V 1S
耐压测试: AC500V 1S
- Allowable Ambient Temperature Range:
环境温度范围:
-10℃~+70℃ (Operating) 工作温度
-40℃~+70℃ (Storage) 存储温度

MODEL 型号	BEARING TYPE 轴承类型	Rated Voltage 额定电压	Operating Voltage 工作电压	Rated Current 额定电流	Rated Input power 额定功率	Speed 转速	Maximum Air Flow 最大风量		Maximum Air Pressure 最大风压		Noise/Distance 噪音/距离	
		VDC	VDC	AMP	WATT	RPM	M ³ /Min	CFM	mmH ₂ O	INH ₂ O	dB (A)	m
60×59.6×12	HDB	5	3.5~5.5	0.35	1.75	4500	0.195	6.95	16.8	0.655	39.6	0.5

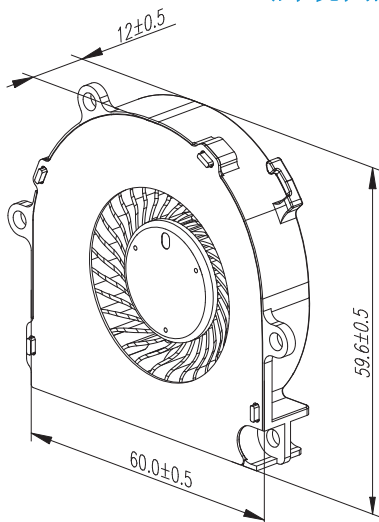
* Signal type is optional. 信号输出类型可以选择的

* The MAX. air flow & the speed are measured in free air ; MAX. air pressure is measured at zero air flow.
在正常气压下测试风扇最大风压以及转速, 在无流量条件下测试风扇最大风压

* All readings are typical values at rated voltage. 所有常规数值都是在额定电压下完成的;

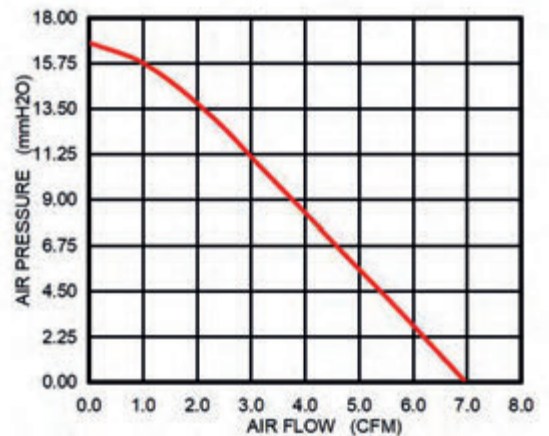
* SPEC. are subject to change without notice. 规格如果变更, 将另行通知

DIMENSIONS DRAWING (外观图)



Unit: mm

P&Q CURVE (AT RATED VOLTAGE)



60×58.7×5.8 Blower

General Specifications (普通规格)



Material (材料):

Frame And Impeller: Plastic UL 94V-0 /SUS430+单面黑
底座和扇叶: 塑胶 (UL 94V-0) /SUS430+单面黑

Lead Wires (导线): UL Type (UL类型)

RED Wire Positive(+) 红色线 正极
Black Wire Negative(黑色线 负极

Insulation Resistance: 10M Ω Or Over With a DC250V Megger

绝缘阻抗: 10M Ω 或者高于DC250V

Dielectric Withstand Voltage: AC500V 1S

耐压测试: AC500V 1S

Allowable Ambient Temperature Range:

环境温度范围:

-10°C ~ +70°C (Operating) 工作温度
-40°C ~ +75°C (Storage) 存储温度

MODEL 型号	BEARING TYPE 轴承类型	Rated Voltage 额定电压	Operating Voltage 工作电压	Rated Current 额定电流	Rated Input power 额定功率	Speed 转速	Maximum Air Flow 最大风量		Maximum Air Pressure 最大风压		Noise/Distance 噪音/距离	
		VDC	VDC	AMP	WATT	RPM	M ³ /Min	CFM	mmH ₂ O	INH ₂ O	dB (A)	m
60×58.7×5.8	HDB	5	2.5~5.5	0.3	1.5	5500	0.099	3.53	14.21	0.554	38.6	0.5

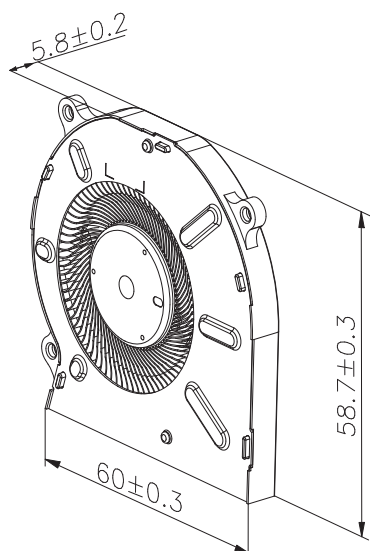
* Signal type is optional. 信号输出类型可以选择的

* The MAX. air flow & the speed are measured in free air ; MAX. air pressure is measured at zero air flow.
在正常气压下测试风扇最大风量以及转速, 在无流量条件下测试风扇最大风压

* All readings are typical values at rated voltage. 所有常规数值都是在额定电压下完成的;

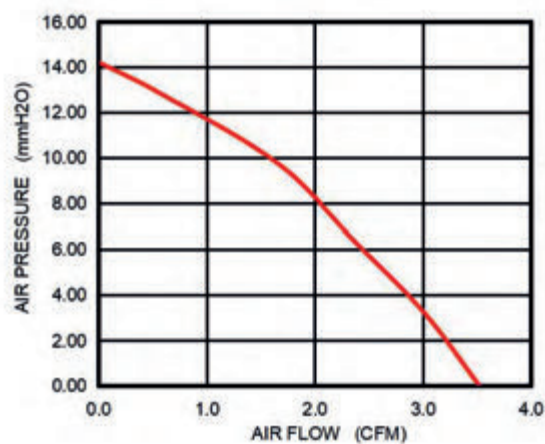
* SPEC. are subject to change without notice. 规格如果变更, 将另行通知

DIMENSIONS DRAWING (外观图)



Unit: mm

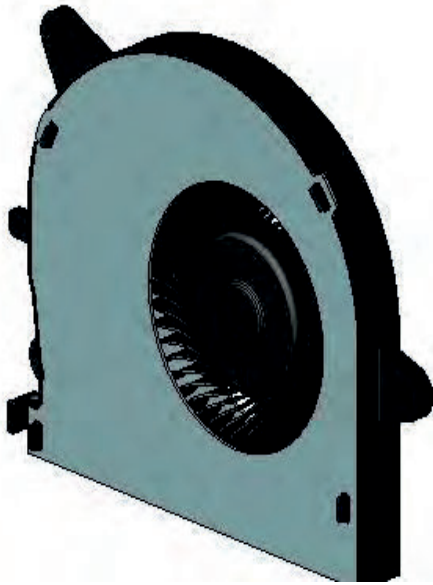
P&Q CURVE (AT RATED VOLTAGE)



63×58×7.5

Blower

General Specifications (普通规格)



Material (材料):

Frame And Impeller: Plastic UL 94V-0 / SGCC
底座和扇叶: 塑胶 (UL 94V-0) / SGCC

Lead Wires (导线): UL Type (UL类型)

RED Wire Positive(+) 红色线 正极
Black Wire Negative(黑色线 负极

Insulation Resistance: 10M Ω Or Over With a DC250V Megger

绝缘阻抗: 10M Ω 或者高于DC250V

Dielectric Withstand Voltage: AC500V 1S

耐压测试: AC500V 1S

Allowable Ambient Temperature Range:

环境温度范围:

-10°C ~ +70°C (Operating) 工作温度
-40°C ~ +70°C (Storage) 存储温度

MODEL 型号	BEARING TYPE 轴承类型	Rated Voltage 额定电压	Operating Voltage 工作电压	Rated Current 额定电流	Rated Input power 额定功率	Speed 转速	Maximum Air Flow 最大风量		Maximum Air Pressure 最大风压		Noise/Distance 噪音/距离	
		VDC	VDC	AMP	WATT	RPM	M ³ /Min	CFM	mmH ₂ O	INH ₂ O	dB (A)	m
63×58×7.5	HDB	5	3.5~5.5	0.4	2	5100	0.142	5.06	16.75	0.653	37.8	0.5

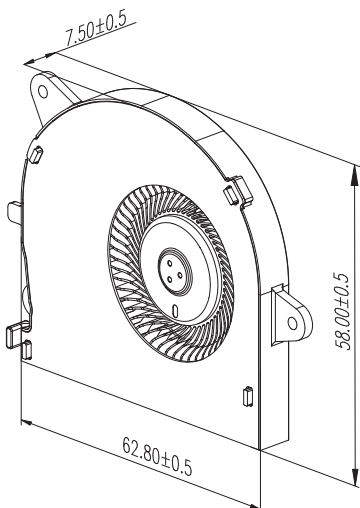
* Signal type is optional. 信号输出类型可以选择的

* The MAX. air flow & the speed are measured in free air ; MAX. air pressure is measured at zero air flow.
在正常气压下测试风扇最大风压以及转速, 在无流量条件下测试风扇最大风压

* All readings are typical values at rated voltage. 所有常规数值都是在额定电压下完成的;

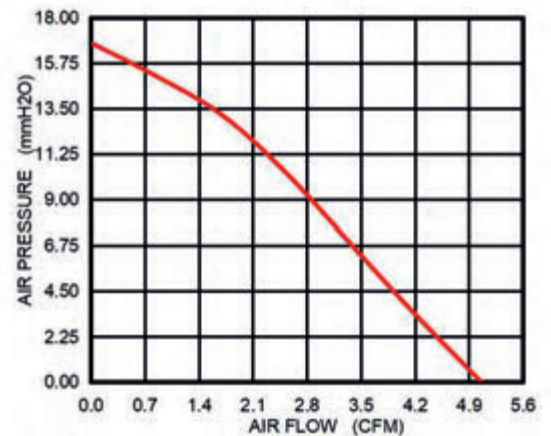
* SPEC. are subject to change without notice. 规格如果变更, 将另行通知

DIMENSIONS DRAWING (外观图)



Unit: mm

P&Q CURVE (AT RATED VOLTAGE)



65×65×5.5 Blower

General Specifications (普通规格)



Material (材料):

Frame And Impeller: Plastic UL 94V-0 / SGCC
底座和扇叶: 塑胶 (UL 94V-0) / SGCC

Lead Wires (导线): UL Type (UL类型)

RED Wire Positive(+) 红色线 正极
Black Wire Negative() 黑色线 负极

Insulation Resistance: 10M Ω Or Over With a DC250V Megger

绝缘阻抗: 10M Ω 或者高于DC250V

Dielectric Withstand Voltage: AC500V 1S

耐压测试: AC500V 1S

Allowable Ambient Temperature Range:

环境温度范围:

-10°C ~ +70°C (Operating) 工作温度

-40°C ~ +75°C (Storage) 存储温度

MODEL 型号	BEARING TYPE 轴承类型	Rated Voltage 额定电压	Operating Voltage 工作电压	Rated Current 额定电流	Rated Input power 额定功率	Speed 转速	Maximum Air Flow 最大风量		Maximum Air Pressure 最大风压		Noise/Distance 噪音/距离	
		VDC	VDC	AMP	WATT	RPM	M ³ /Min	CFM	mmH ₂ O	INH ₂ O	dB (A)	m
65×65×5.5	HDB	5	3.5~5.5	0.22	1.1	4500	0.109	3.9	14.53	0.567	38.0	0.5

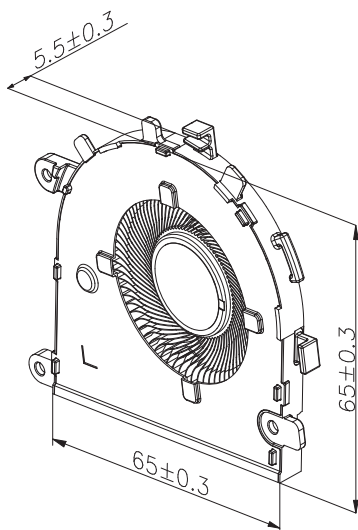
* Signal type is optional. 信号输出类型可以选择的

* The MAX. air flow & the speed are measured in free air ; MAX. air pressure is measured at zero air flow.
在正常气压下测试风扇最大风量以及转速, 在无流量条件下测试风扇最大风压

* All readings are typical values at rated voltage. 所有常规数值都是在额定电压下完成的;

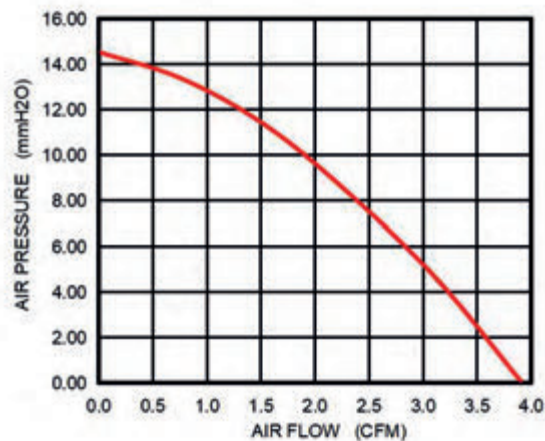
* SPEC. are subject to change without notice. 规格如果变更, 将另行通知

DIMENSIONS DRAWING (外观图)



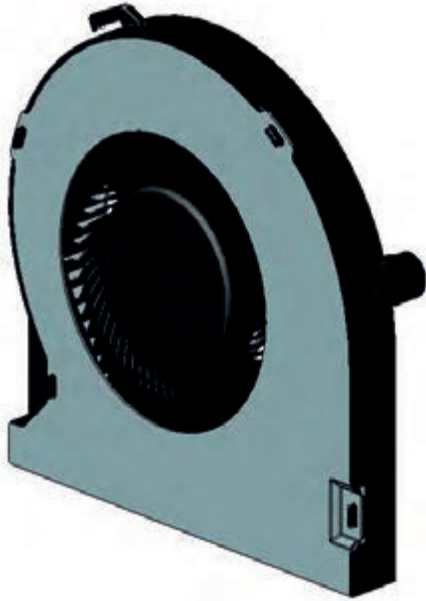
Unit: mm

P&Q CURVE (AT RATED VOLTAGE)



65×65×8.2 Blower

General Specifications (普通规格)



Material (材料):

Frame And Impeller: Plastic UL 94V-0 / SGCC
底座和扇叶: 塑胶 (UL 94V-0) / SGCC

Lead Wires (导线): UL Type (UL类型)

RED Wire Positive(+) 红色线 正极
Black Wire Negative(黑色线 负极)

Insulation Resistance: 10M Ω Or Over With a DC250V Megger

绝缘阻抗: 10M Ω 或者高于DC250V

Dielectric Withstand Voltage: AC500V 1S

耐压测试: AC500V 1S

Allowable Ambient Temperature Range:

环境温度范围:

-10°C ~ +70°C (Operating) 工作温度
-40°C ~ +70°C (Storage) 存储温度

MODEL 型号	BEARING TYPE 轴承类型	Rated Voltage 额定电压	Operating Voltage 工作电压	Rated Current 额定电流	Rated Input power 额定功率	Speed 转速	Maximum Air Flow 最大风量		Maximum Air Pressure 最大风压		Noise/Distance 噪音/距离	
		VDC	VDC	AMP	WATT	RPM	M ³ /Min	CFM	mmH ₂ O	INH ₂ O	dB (A)	m
65×65×8.2	HDB	5	3.5~5.5	0.3	1.5	4300	0.166	5.93	19.8	0.772	39.4	0.5

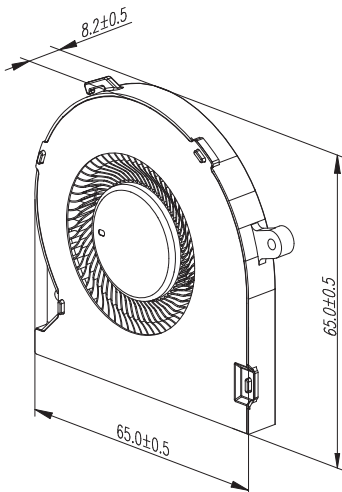
* Signal type is optional. 信号输出类型可以选择的

* The MAX. air flow & the speed are measured in free air ; MAX. air pressure is measured at zero air flow.
在正常气压下测试风扇最大风量以及转速, 在无流量条件下测试风扇最大风压

* All readings are typical values at rated voltage. 所有常规数值都是在额定电压下完成的;

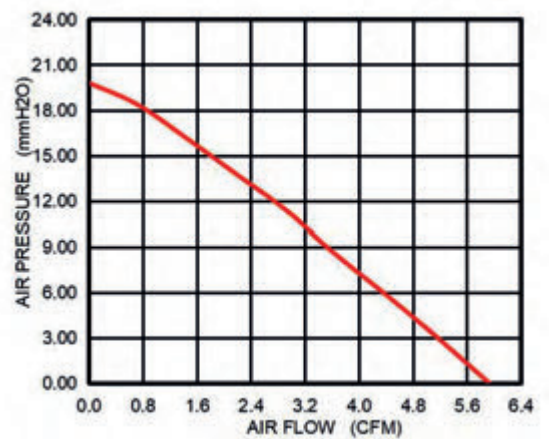
* SPEC. are subject to change without notice. 规格如果变更, 将另行通知

DIMENSIONS DRAWING (外观图)



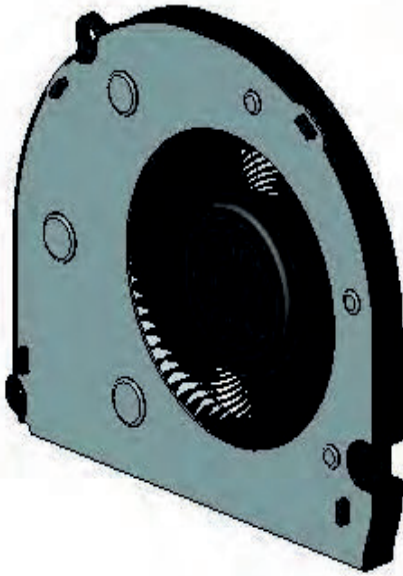
Unit: mm

P&Q CURVE (AT RATED VOLTAGE)



67.8×59.5×5.0 Blower

General Specifications (普通规格)



Material (材料):

Frame And Impeller: Plastic UL 94V-0 / SUS 430
底座和扇叶: 塑胶 (UL 94V-0) / SUS 430

Lead Wires (导线): UL Type (UL类型)

RED Wire Positive(+) 红色线 正极
Black Wire Negative(-) 黑色线 负极

Insulation Resistance: 10M Ω Or Over With a DC250V Megger

绝缘阻抗: 10M Ω 或者高于DC250V

Dielectric Withstand Voltage: AC500V 1S

耐压测试: AC500V 1S

Allowable Ambient Temperature Range:

环境温度范围:

-10°C ~ +70°C (Operating) 工作温度
-40°C ~ +70°C (Storage) 存储温度

MODEL 型号	BEARING TYPE 轴承类型	Rated Voltage 额定电压	Operating Voltage 工作电压	Rated Current 额定电流	Rated Input power 额定功率	Speed 转速	Maximum Air Flow 最大风量		Maximum Air Pressure 最大风压		Noise/Distance 噪音/距离	
		VDC	VDC	AMP	WATT	RPM	M ³ /Min	CFM	mmH ₂ O	INH ₂ O	dB(A)	m
67.8×59.5×5.0	HDB	5	3.5~5.5	0.4	2	5200	0.103	3.68	17.1	0.667	38.1	0.5

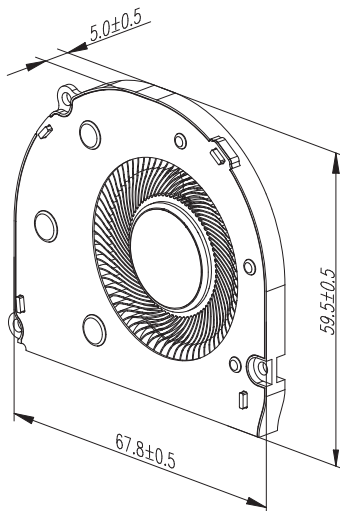
* Signal type is optional. 信号输出类型可以选择的

* The MAX. air flow & the speed are measured in free air ; MAX. air pressure is measured at zero air flow.
在正常气压下测试风扇最大风量以及转速, 在无流量条件下测试风扇最大风压

* All readings are typical values at rated voltage. 所有常规数值都是在额定电压下完成的:

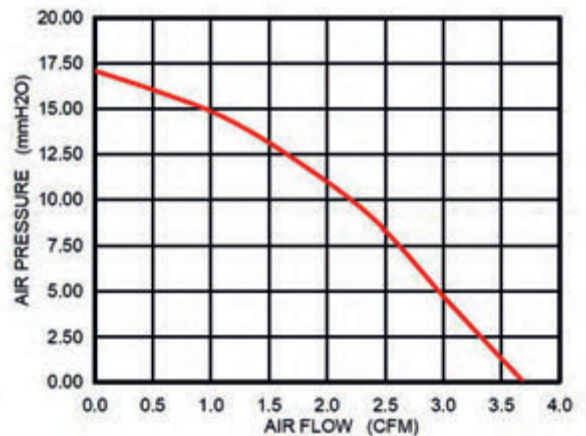
* SPEC. are subject to change without notice. 规格如果变更, 将另行通知

DIMENSIONS DRAWING (外观图)



Unit: mm

P&Q CURVE (AT RATED VOLTAGE)



68×67.6×6.2 Blower

General Specifications (普通规格)



Material (材料):

Frame And Impeller: Plastic UL 94V-0 /SGCC
 底座和扇叶: 塑胶 (UL 94V-0) /SGCC

Lead Wires (导线): UL Type (UL类型)

RED Wire Positive(+) 红色线 正极
 Black Wire Negative(黑色线 负极)

Insulation Resistance: 10M Ω Or Over With a DC250V Megger

绝缘阻抗: 10M Ω 或者高于DC250V

Dielectric Withstand Voltage: AC500V 1S

耐压测试: AC500V 1S

Allowable Ambient Temperature Range:

环境温度范围:

-10°C ~ +70°C (Operating) 工作温度
 -40°C ~ +75°C (Storage) 存储温度

MODEL 型号	BEARING TYPE 轴承类型	Rated Voltage 额定电压	Operating Voltage 工作电压	Rated Current 额定电流	Rated Input power 额定功率	Speed 转速	Maximum Air Flow 最大风量		Maximum Air Pressure 最大风压		Noise/Distance 噪音/距离	
		VDC	VDC	AMP	WATT	RPM	M ³ /Min	CFM	mmH ₂ O	INH ₂ O	dB (A)	m
68×67.6×6.2	HDB	5	3.5~5.5	0.45	2.25	4400	0.134	4.8	17.75	0.692	38.0	0.5

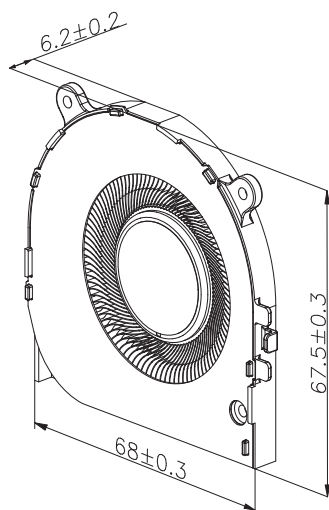
* Signal type is optional. 信号输出类型可以选择的

* The MAX. air flow & the speed are measured in free air ; MAX. air pressure is measured at zero air flow.
 在正常气压下测试风扇最大风量以及转速, 在无流量条件下测试风扇最大风压

* All readings are typical values at rated voltage. 所有常规数值都是在额定电压下完成的;

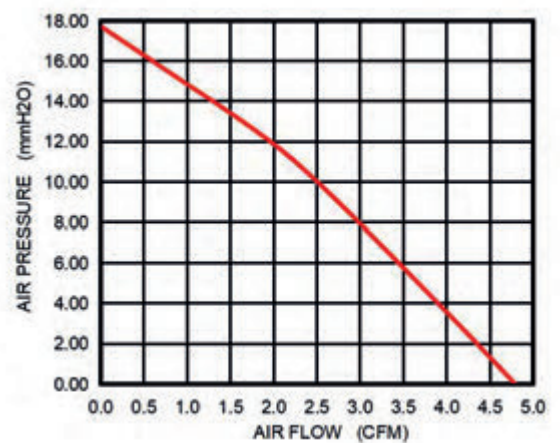
* SPEC. are subject to change without notice. 规格如果变更, 将另行通知

DIMENSIONS DRAWING (外观图)



Unit: mm

P&Q CURVE (AT RATED VOLTAGE)



75×69×6.2 Blower

General Specifications (普通规格)



Material (材料):

Frame And Impeller: Plastic UL 94V-0 /SUS430
底座和扇叶: 塑胶 (UL 94V-0) /SUS430

Lead Wires (导线): UL Type (UL类型)

RED Wire Positive(+) 红色线 正极
Black Wire Negative() 黑色线 负极

Insulation Resistance: 10M Ω Or Over With a DC250V Megger

绝缘阻抗: 10M Ω 或者高于DC250V

Dielectric Withstand Voltage: AC500V 1S

耐压测试: AC500V 1S

Allowable Ambient Temperature Range:

环境温度范围:

-10°C ~ +70°C (Operating) 工作温度
-40°C ~ +75°C (Storage) 存储温度

MODEL 型号	BEARING TYPE 轴承类型	Rated Voltage 额定电压	Operating Voltage 工作电压	Rated Current 额定电流	Rated Input power 额定功率	Speed 转速	Maximum Air Flow 最大风量		Maximum Air Pressure 最大风压		Noise/Distance 噪音/距离	
		VDC	VDC	AMP	WATT	RPM	M ³ /Min	CFM	mmH ₂ O	INH ₂ O	dB (A)	m
75×69×6.2	HDB	5	3.5~5.5	0.45	2.25	4150	0.151	5.41	18.46	0.720	39.9	0.5

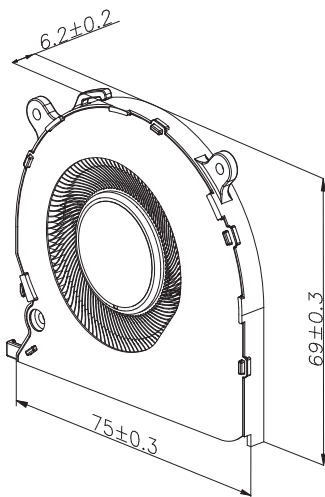
* Signal type is optional. 信号输出类型可以选择的

* The MAX. air flow & the speed are measured in free air ; MAX. air pressure is measured at zero air flow.
在正常气压下测试风扇最大风量以及转速, 在无流量条件下测试风扇最大风压

* All readings are typical values at rated voltage. 所有常规数值都是在额定电压下完成的;

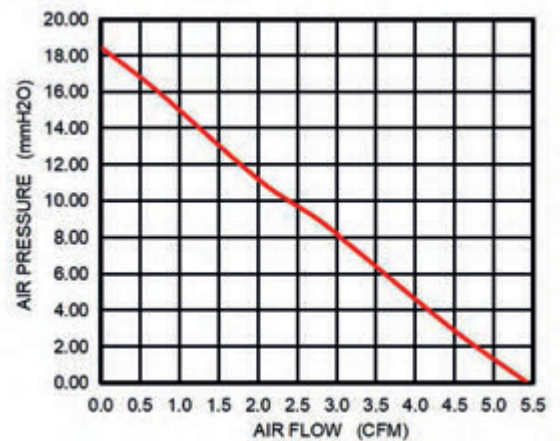
* SPEC. are subject to change without notice. 规格如果变更, 将另行通知

DIMENSIONS DRAWING (外观图)



Unit: mm

P&Q CURVE (AT RATED VOLTAGE)



75×70×6 Blower

■ General Specifications (普通规格)



●Material (材料):

Frame And Impeller: Plastic UL 94V-0 /SGCC
底座和扇叶: 塑胶 (UL 94V-0) /SGCC

●Lead Wires (导线): UL Type (UL类型)

RED Wire Positive(+) 红色线 正极
Black Wire Negative(-) 黑色线 负极

●Insulation Resistance: 10M Ω Or Over With a DC250V Megger

绝缘阻抗: 10M Ω 或者高于DC250V

●Dielectric Withstand Voltage: AC500V 1S

耐压测试: AC500V 1S

●Allowable Ambient Temperature Range:

环境温度范围:

-10°C ~ +70°C (Operating) 工作温度

-40°C ~ +75°C (Storage) 存储温度

MODEL 型号	BEARING TYPE 轴承类型	Rated Voltage 额定电压	Operating Voltage 工作电压	Rated Current 额定电流	Rated Input power 额定功率	Speed 转速 RPM	Maximum Air Flow 最大风量		Maximum Air Pressure 最大风压		Noise/Distance 噪音/距离	
		VDC	VDC	AMP	WATT		M ³ /Min	CFM	mmH ₂ O	INH ₂ O	dB (A)	m
75×70×6	HDB	5	3.5~5.5	0.4	2	4500	0.119	4.26	15.36	0.599	38.6	0.5

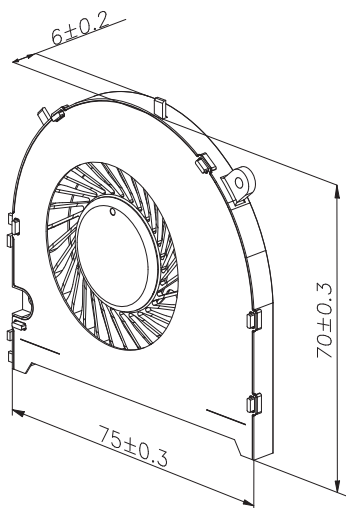
* Signal type is optional. 信号输出类型可以选择的

* The MAX. air flow & the speed are measured in free air ; MAX. air pressure is measured at zero air flow.
在正常气压下测试风扇最大风量以及转速, 在无流量条件下测试风扇最大风压

* All readings are typical values at rated voltage. 所有常规数值都是在额定电压下完成的;

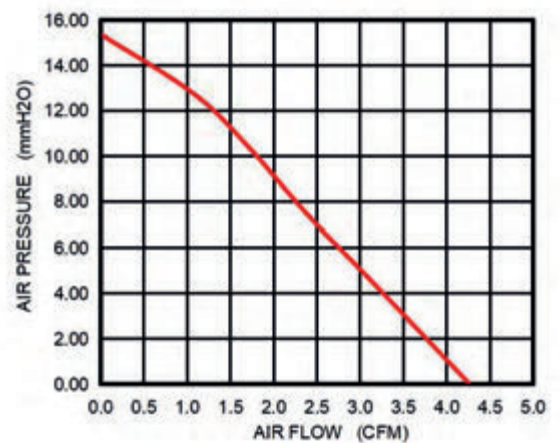
* SPEC. are subject to change without notice. 规格如果变更, 将另行通知

■ DIMENSIONS DRAWING (外观图)



Unit: mm

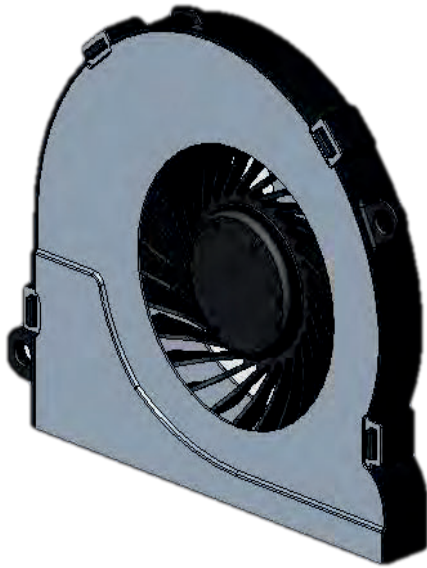
■ P&Q CURVE (AT RATED VOLTAGE)



70×64.3×8.5

Blower

General Specifications (普通规格)



●Material (材料):

Frame And Impeller: Plastic UL 94V-0 / SECC
底座和扇叶: 塑胶 (UL 94V-0) / SECC

●Lead Wires (导线): UL Type (UL类型)

RED Wire Positive(+) 红色线 正极
Black Wire Negative(黑色线 负极

●Insulation Resistance: 10M Ω Or Over With a DC250V Megger

绝缘阻抗: 10M Ω 或者高于DC250V

●Dielectric Withstand Voltage: AC500V 1S

耐压测试: AC500V 1S

●Allowable Ambient Temperature Range:

环境温度范围:

-10°C ~ +70°C (Operating) 工作温度
-40°C ~ +70°C (Storage) 存储温度

MODEL 型号	BEARING TYPE 轴承类型	Rated Voltage 额定电压	Operating Voltage 工作电压	Rated Current 额定电流	Rated Input power 额定功率	Speed 转速	Maximum Air Flow 最大风量		Maximum Air Pressure 最大风压		Noise/Distance 噪音/距离	
		VDC	VDC	AMP	WATT	RPM	M ³ /Min	CFM	mmH ₂ O	INH ₂ O	dB (A)	m
70×64.3×8.5	HDB	5	3.5~5.5	0.4	2	4350	0.133	4.74	12.57	0.495	35.1	0.5

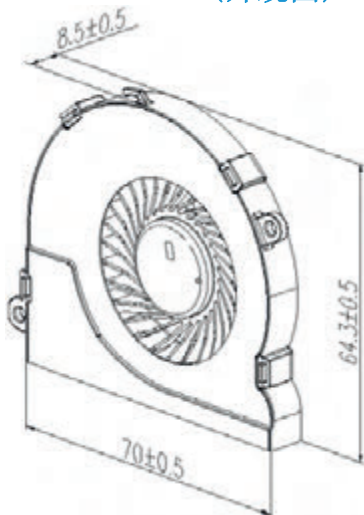
* Signal type is optional. 信号输出类型可以选择的

* The MAX. air flow & the speed are measured in free air ; MAX. air pressure is measured at zero air flow.
在正常气压下测试风扇最大风量以及转速, 在无流量条件下测试风扇最大风压

* All readings are typical values at rated voltage. 所有常规数值都是在额定电压下完成的;

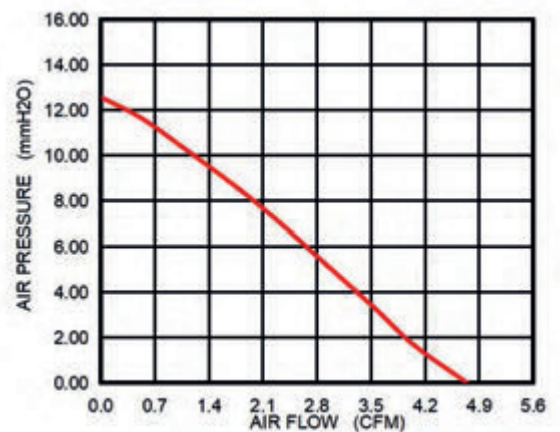
* SPEC. are subject to change without notice. 规格如果变更, 将另行通知

DIMENSIONS DRAWING (外观图)



Unit: mm

P&Q CURVE (AT RATED VOLTAGE)



75.7×72.7×3.5 Blower

General Specifications (普通规格)

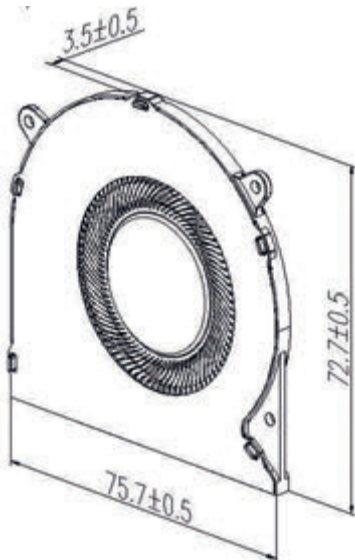


- Material (材料):
Frame And Impeller: Plastic UL 94V-0
底座和扇叶: 塑胶 (UL 94V-0)
- Lead Wires (导线): UL Type (UL类型)
RED Wire Positive(+) 红色线 正极
Black Wire Negative(黑色线 负极)
- Insulation Resistance: 10M Ω Or Over With a DC250V Megger
绝缘阻抗: 10M Ω 或者高于DC250V
- Dielectric Withstand Voltage: AC500V 1S
耐压测试: AC500V 1S
- Allowable Ambient Temperature Range:
环境温度范围:
-10°C ~ +70°C (Operating) 工作温度
-40°C ~ +70°C (Storage) 存储温度

MODEL 型号	BEARING TYPE 轴承类型	Rated Voltage 额定电压	Operating Voltage 工作电压	Rated Current 额定电流	Rated Input power 额定功率	Speed 转速 RPM	Maximum Air Flow 最大风量		Maximum Air Pressure 最大风压		Noise/Distance 噪音/距离	
		VDC	VDC	AMP	WATT		M ³ /Min	CFM	mmH ₂ O	INH ₂ O	dB (A)	m
75.7×72.7×3.5	HDB	5	3.5~5.5	0.27	1.35	5200	0.059	2.1	10	0.390	30.6	0.5

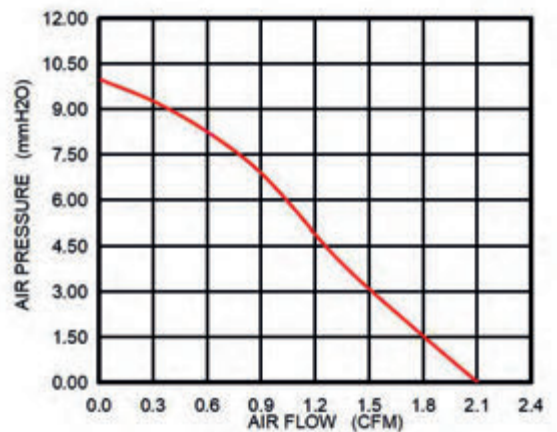
* Signal type is optional. 信号输出类型可以选择的
 * The MAX. air flow & the speed are measured in free air ; MAX. air pressure is measured at zero air flow.
 在正常气压下测试风扇最大风压以及转速, 在无流量条件下测试风扇最大风压
 * All readings are typical values at rated voltage. 所有常规数值都是在额定电压下完成的;
 * SPEC. are subject to change without notice. 规格如果变更, 将另行通知

DIMENSIONS DRAWING (外观图)



Unit: mm

P&Q CURVE (AT RATED VOLTAGE)



75×72×5

Blower



General Specifications (普通规格)

Material (材料):

Frame And Impeller: Plastic UL 94V-0 / SECC
底座和扇叶: 塑胶 (UL 94V-0) / SECC

Lead Wires (导线): UL Type (UL类型)

RED Wire Positive (红色线 正极)

Black Wire Negative (黑色线 负极)

Insulation Resistance: 10M Ω Or Over With a DC250V Megger

绝缘阻抗: 10M Ω 或者高于DC250V

Dielectric Withstand Voltage: AC500V 1S

耐压测试: AC500V 1S

Allowable Ambient Temperature Range:

环境温度范围:

-10℃~+70℃ (Operating) 工作温度

-40℃~+70℃ (Storage) 存储温度

MODEL 型号	BEARING TYPE 轴承类型	Rated Voltage 额定电压	Operating Voltage 工作电压	Rated Current 额定电 流	Rated Input power 额定功	Speed 转速 RPM	Maximum Air Flow 最大风量		Maximum Air Pressure 最大风压		Noise/Distance 噪音/距离	
		VDC	VDC	AMP	WATT		M ³ /Min	CFM	mmH ₂ O	INH ₂ O	dB (A)	m
75×72×5	HDB	5	3.5~5.5	0.45	2.25	4800	0.121	4.29	19.82	0.780	40.2	0.5

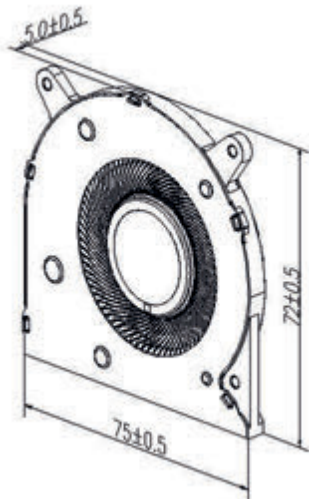
* Signal type is optional. 信号输出类型可以选择的

* The MAX. air flow & the speed are measured in free air ; MAX. air pressure is measured at zero air flow.
在正常气压下测试风扇最大风压以及转速, 在无流量条件下测试风扇最大风压

* All readings are typical values at rated voltage. 所有常规数值都是在额定电压下完成的;

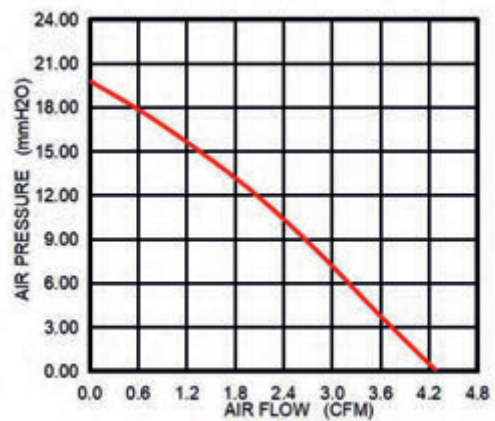
* SPEC. are subject to change without notice. 规格如果变更, 将另行通知

DIMENSIONS DRAWING (外观图)



Unit: mm

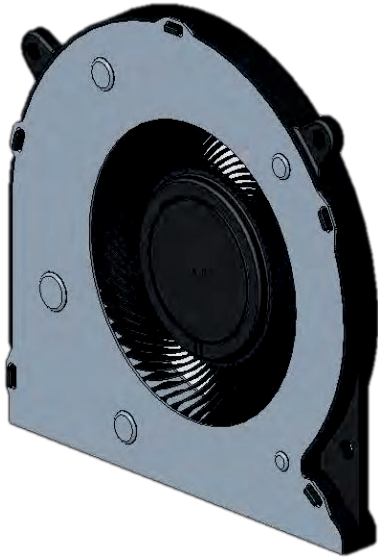
P&Q CURVE (AT RATED VOLTAGE)



74.5×72×7.0

Blower

■ General Specifications (普通规格)



●Material (材料):

Frame And Impeller: Plastic UL 94V-0 / SGCC
底座和扇叶: 塑胶 (UL 94V-0) / SGCC

●Lead Wires (导线): UL Type (UL类型)

RED Wire Positive(+) 红色线 正极
Black Wire Negative(黑色线 负极

●Insulation Resistance: 10M Ω Or Over With a DC250V Megger

绝缘阻抗: 10M Ω 或者高于DC250V

●Dielectric Withstand Voltage: AC500V 1S

耐压测试: AC500V 1S

●Allowable Ambient Temperature Range:

环境温度范围:

-10°C ~ +70°C (Operating) 工作温度
-40°C ~ +70°C (Storage) 存储温度

MODEL 型号	BEARING TYPE 轴承类型	Rated Voltage 额定电压	Operating Voltage 工作电压	Rated Current 额定电流	Rated Input power 额定功率	Speed 转速	Maximum Air Flow 最大风量		Maximum Air Pressure 最大风压		Noise/Distance 噪音/距离	
		VDC	VDC	AMP	WATT	RPM	M ³ /Min	CFM	mmH ₂ O	INH ₂ O	dB (A)	m
74.5×72×7.0	HDB	5	3.5~5.5	0.45	2.25	4500	0.150	5.36	19.13	0.746	42.6	0.5

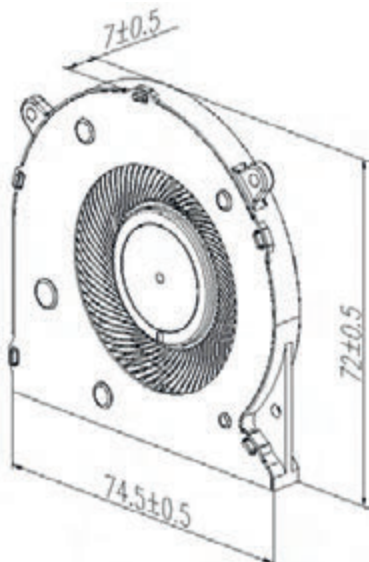
* Signal type is optional. 信号输出类型可以选择的

* The MAX. air flow & the speed are measured in free air ; MAX. air pressure is measured at zero air flow.
在正常气压下测试风扇最大风压以及转速, 在无流量条件下测试风扇最大风压

* All readings are typical values at rated voltage. 所有常规数值都是在额定电压下完成的;

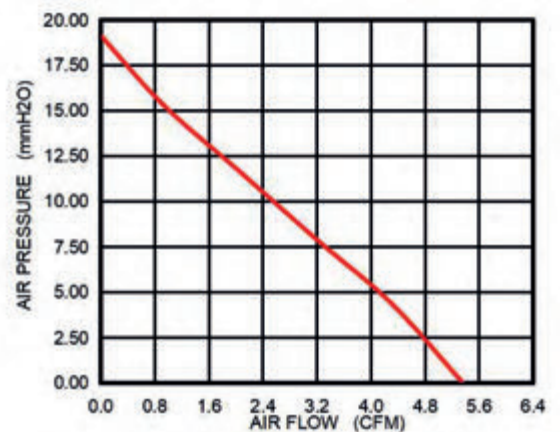
* SPEC. are subject to change without notice. 规格如果变更, 将另行通知

■ DIMENSIONS DRAWING (外观图)



Unit: mm

■ P&Q CURVE (AT RATED VOLTAGE)



79.3 × 69.8 × 5

Blower

General Specifications (普通规格)



Material (材料):

Frame And Impeller: Plastic UL 94V-0 / SGCC
 底座和扇叶: 塑胶 (UL 94V-0) / SGCC

Lead Wires (导线): UL Type (UL类型)

RED Wire Positive (+) 红色线 正极
 Black Wire Negative (-) 黑色线 负极

Insulation Resistance: 10M Ω Or Over With a DC250V Megger

绝缘阻抗: 10M Ω 或者高于DC250V

Dielectric Withstand Voltage: AC500V 1S

耐压测试: AC500V 1S

Allowable Ambient Temperature Range:

环境温度范围:

-10°C ~ +70°C (Operating) 工作温度

-40°C ~ +70°C (Storage) 存储温度

MODEL 型号	BEARING TYPE 轴承类型	Rated Voltage 额定电压	Operating Voltage 工作电压	Rated Current 额定电流	Rated Input power 额定功率	Speed 转速	Maximum Air Flow 最大风量		Maximum Air Pressure 最大风压		Noise/Distance 噪音/距离	
		VDC	VDC	AMP	WATT	RPM	M ³ /Min	CFM	mmH ₂ O	INH ₂ O	dB (A)	m
79.3 × 69.8 × 5.0	HDB	5	3.5 ~ 5.5	0.4	2	4500	0.115	4.1	15	0.591	38.2	0.5

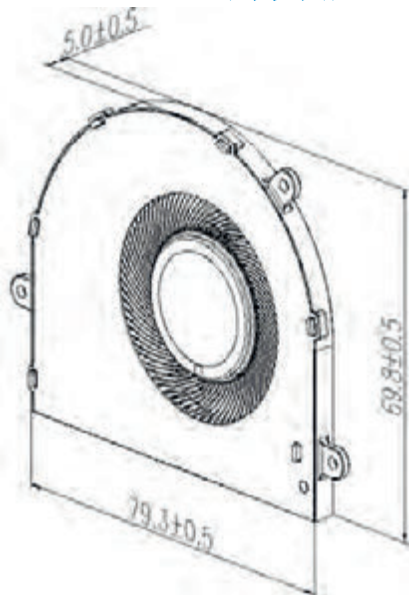
* Signal type is optional. 信号输出类型可以选择的

* The MAX. air flow & the speed are measured in free air; MAX. air pressure is measured at zero air flow.
 在正常气压下测试风扇最大风压以及转速, 在无流量条件下测试风扇最大风压

* All readings are typical values at rated voltage. 所有常规数值都是在额定电压下完成的;

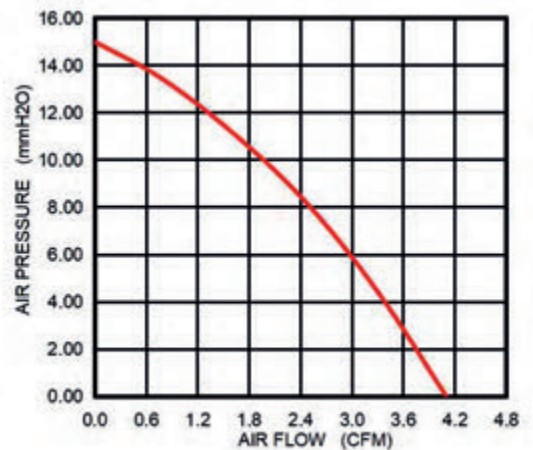
* SPEC. are subject to change without notice. 规格如果变更, 将另行通知

DIMENSIONS DRAWING (外观图)



Unit: mm

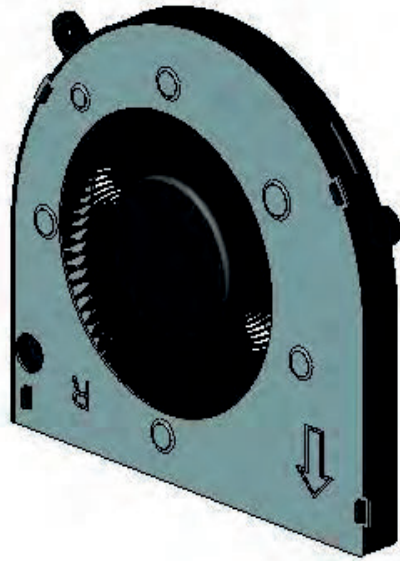
P&Q CURVE (AT RATED VOLTAGE)



80×74.5×7

Blower

General Specifications (普通规格)



Material (材料):

Frame And Impeller: Plastic UL 94V-0 / SGCC
底座和扇叶: 塑胶 (UL 94V-0) / SGCC

Lead Wires (导线): UL Type (UL类型)

RED Wire Positive(+) 红色线 正极
Black Wire Negative(-) 黑色线 负极

Insulation Resistance: 10M Ω Or Over With a DC250V Megger

绝缘阻抗: 10M Ω 或者高于DC250V

Dielectric Withstand Voltage: AC500V 1S

耐压测试: AC500V 1S

Allowable Ambient Temperature Range:

环境温度范围:

-10°C ~ +70°C (Operating) 工作温度

-40°C ~ +70°C (Storage) 存储温度

MODEL 型号	BEARING TYPE 轴承类型	Rated Voltage 额定电压	Operating Voltage 工作电压	Rated Current 额定电流	Rated Input power 额定功率	Speed 转速	Maximum Air Flow 最大风量		Maximum Air Pressure 最大风压		Noise/Distance 噪音/距离	
		VDC	VDC	AMP	WATT		RPM	M ³ /Min	CFM	mmH ₂ O	INH ₂ O	dB (A)
80×74.5×7.0	HDB	12	7.0~13.2	0.3	3.6	4400	0.193	6.91	21.2	0.835	43.6	0.5

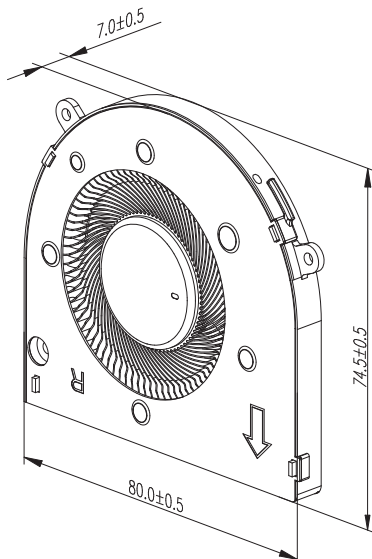
* Signal type is optional. 信号输出类型可以选择的

* The MAX. air flow & the speed are measured in free air ; MAX. air pressure is measured at zero air flow.
在正常气压下测试风扇最大风量以及转速, 在无流量条件下测试风扇最大风压

* All readings are typical values at rated voltage. 所有常规数值都是在额定电压下完成的;

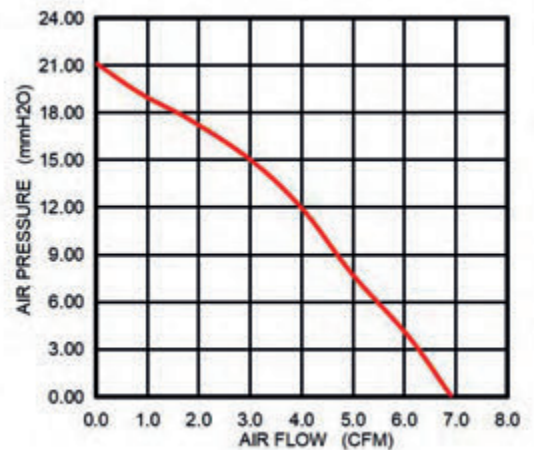
* SPEC. are subject to change without notice. 规格如果变更, 将另行通知

DIMENSIONS DRAWING (外观图)



Unit: mm

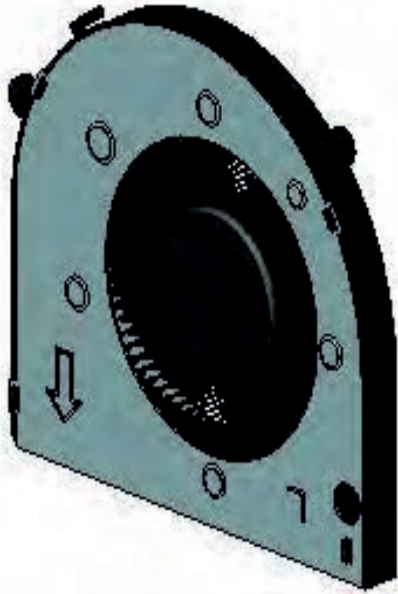
P&Q CURVE (AT RATED VOLTAGE)



80×74.5×7

Blower

■ General Specifications (普通规格)



●Material (材料):

Frame And Impeller: Plastic UL 94V-0 / SGCC
底座和扇叶: 塑胶 (UL 94V-0) / SGCC

●Lead Wires (导线): UL Type (UL类型)

RED Wire Positive(+) 红色线 正极
Black Wire Negative(黑色线 负极

●Insulation Resistance: 10M Ω Or Over With a DC250V Megger

绝缘阻抗: 10M Ω 或者高于DC250V

●Dielectric Withstand Voltage: AC500V 1S

耐压测试: AC500V 1S

●Allowable Ambient Temperature Range:

环境温度范围:

-10°C ~ +70°C (Operating) 工作温度
-40°C ~ +70°C (Storage) 存储温度

MODEL 型号	BEARING TYPE 轴承类型	Rated Voltage 额定电压	Operating Voltage 工作电压	Rated Current 额定电流	Rated Input power 额定功率	Speed 转速	Maximum Air Flow 最大风量		Maximum Air Pressure 最大风压		Noise/Distance 噪音/距离	
		VDC	VDC	AMP	WATT	RPM	M ³ /Min	CFM	mmH ₂ O	INH ₂ O	dB (A)	m
80×74.5×7.0	HDB	12	7.0~13.2	0.3	3.6	4400	0.193	6.91	21.2	0.835	43.6	0.5

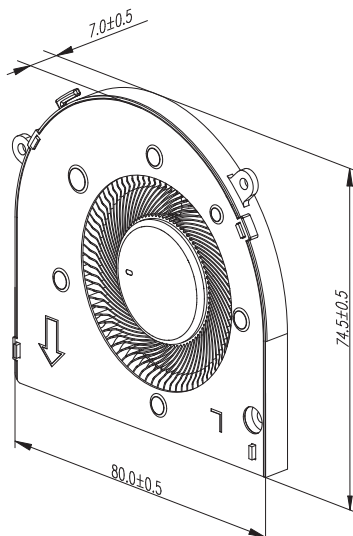
* Signal type is optional. 信号输出类型可以选择的

* The MAX. air flow & the speed are measured in free air ; MAX. air pressure is measured at zero air flow.
在正常气压下测试风扇最大风量以及转速, 在无流量条件下测试风扇最大风压

* All readings are typical values at rated voltage. 所有常规数值都是在额定电压下完成的;

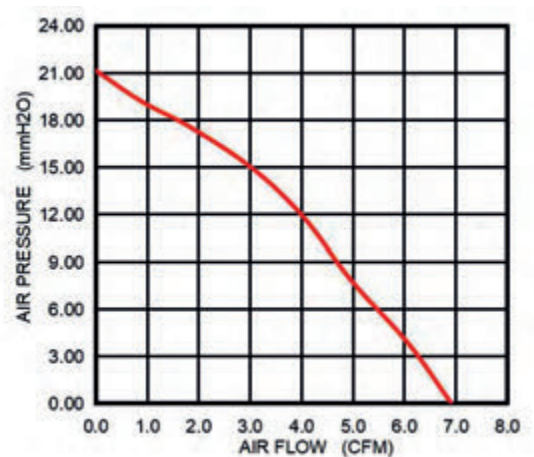
* SPEC. are subject to change without notice. 规格如果变更, 将另行通知

■ DIMENSIONS DRAWING (外观图)



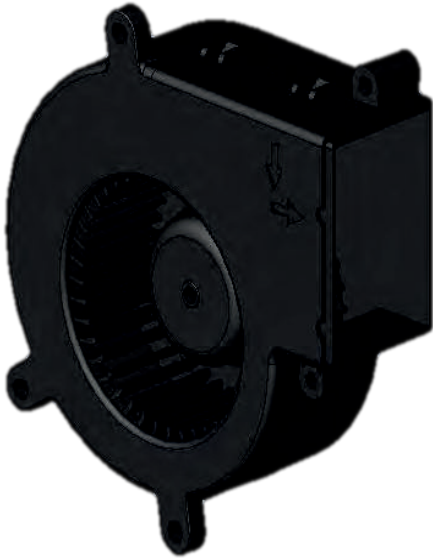
Unit: mm

■ P&Q CURVE (AT RATED VOLTAGE)



83.85×75.6×28 Blower

General Specifications (普通规格)



- Material (材料):
Frame And Impeller: Plastic UL 94V-0 /
底座和扇叶: 塑胶 (UL 94V-0) /
- Lead Wires (导线): UL Type (UL类型)
RED Wire Positive(+) 红色线 正极
Black Wire Negative(黑色线 负极
- Insulation Resistance: 10M Ω Or Over With a DC250V Megger
绝缘阻抗: 10M Ω 或者高于DC250V
- Dielectric Withstand Voltage: AC500V 1S
耐压测试: AC500V 1S
- Allowable Ambient Temperature Range:
环境温度范围:
-10℃~+70℃ (Operating) 工作温度
-40℃~+70℃ (Storage) 存储温度

MODEL 型号	BEARING TYPE 轴承类型	Rated Voltage 额定电压	Operating Voltage 工作电压	Rated Current 额定电流	Rated Input power 额定功率	Speed 转速	Maximum Air Flow 最大风量		Maximum Air Pressure 最大风压		Noise/Distance 噪音/距离	
		VDC	VDC	AMP	WATT	RPM	M ³ /Min	CFM	mmH ₂ O	INH ₂ O	dB (A)	m
83.85×75.6×28	HDB	12	10.8~13.2	0.2	2.4	2700	0.316	11.3	12.73	0.496	34.3	1

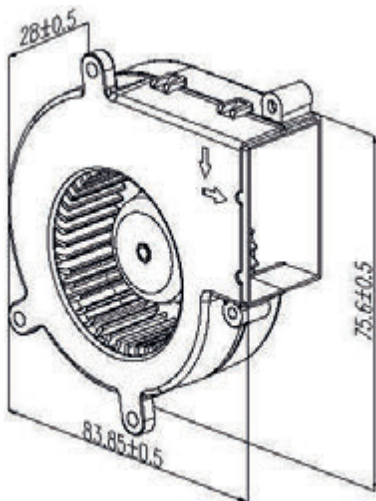
* Signal type is optional. 信号输出类型可以选择的

* The MAX. air flow & the speed are measured in free air ; MAX. air pressure is measured at zero air flow.
在正常气压下测试风扇最大风量以及转速, 在无流量条件下测试风扇最大风压

* All readings are typical values at rated voltage. 所有常规数值都是在额定电压下完成的;

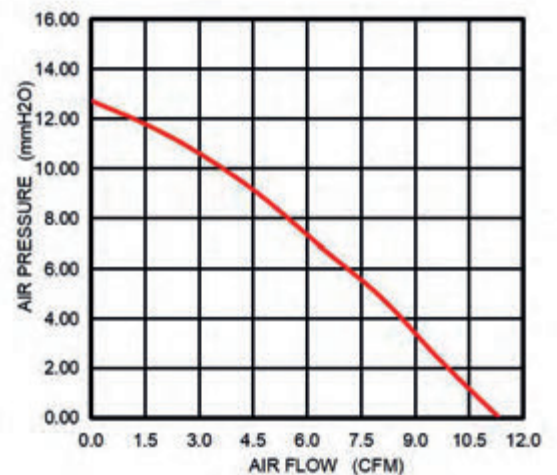
* SPEC. are subject to change without notice. 规格如果变更, 将另行通知

DIMENSIONS DRAWING (外观图)



Unit: mm

P&Q CURVE (AT RATED VOLTAGE)



90×84.66×6.3 Blower

■ General Specifications (普通规格)



●Material (材料):

Frame And Impeller: Plastic UL 94V-0 /SGCC
底座和扇叶: 塑胶 (UL 94V-0) /SGCC

●Lead Wires (导线): UL Type (UL类型)

RED Wire Positive(+) 红色线 正极

Black Wire Negative(-) 黑色线 负极

●Insulation Resistance: 10M Ω Or Over With a DC250V Megger

绝缘阻抗: 10M Ω 或者高于DC250V

●Dielectric Withstand Voltage: AC500V 1S

耐压测试: AC500V 1S

●Allowable Ambient Temperature Range:

环境温度范围:

-10°C ~ +70°C (Operating) 工作温度

-40°C ~ +75°C (Storage) 存储温度

MODEL 型号	BEARING TYPE 轴承类型	Rated Voltage 额定电压	Operating Voltage 工作电压	Rated Current 额定电流	Rated Input power 额定功率	Speed 转速	Maximum Air Flow 最大风量		Maximum Air Pressure 最大风压		Noise/Distance 噪音/距离	
		VDC	VDC	AMP	WATT	RPM	M ³ /Min	CFM	mmH ₂ O	INH ₂ O	dB (A)	m
90×84.66×6.3	HDB	5	3.5~5.5	0.45	2.25	3800	0.169	6.05	16.74	0.653	39.7	0.5

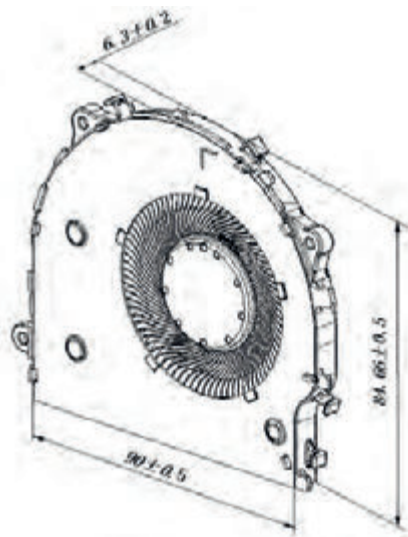
* Signal type is optional. 信号输出类型可以选择的

* The MAX. air flow & the speed are measured in free air ; MAX. air pressure is measured at zero air flow.
在正常气压下测试风扇最大风压以及转速, 在无流量条件下测试风扇最大风压

* All readings are typical values at rated voltage. 所有常规数值都是在额定电压下完成的;

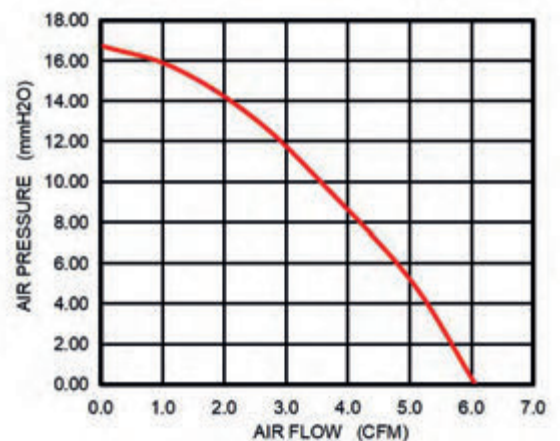
* SPEC. are subject to change without notice. 规格如果变更, 将另行通知

■ DIMENSIONS DRAWING (外观图)



Unit: mm

■ P&Q CURVE (AT RATED VOLTAGE)



87.4×78.3×15

Blower



General Specifications (普通规格)

Material (材料):

Frame And Impeller: Plastic UL 94V-0 / SECC
底座和扇叶: 塑胶 (UL 94V-0) / SECC

Lead Wires (导线): UL Type (UL类型)

RED Wire Positive(+) 红色线 正极
Black Wire Negative(黑色线 负极

Insulation Resistance: 10M Ω Or Over With a DC250V Megger

绝缘阻抗: 10M Ω 或者高于DC250V

Dielectric Withstand Voltage: AC500V 1S

耐压测试: AC500V 1S

Allowable Ambient Temperature Range:

环境温度范围:

-10°C ~ +70°C (Operating) 工作温度

-40°C ~ +70°C (Storage) 存储温度

MODEL 型号	BEARING TYPE 轴承类型	Rated Voltage 额定电压	Operating Voltage 工作电压	Rated Current 额定电流	Rated Input power 额定功率	Speed 转速	Maximum Air Flow 最大风量		Maximum Air Pressure 最大风压		Noise/Distance 噪音/距离	
		VDC	VDC	AMP	WATT	RPM	M ³ /Min	CFM	mmH ₂ O	INH ₂ O	dB (A)	m
87.4×78.3×15	HDB	12	10.8~13.2	0.55	6.6	4600	0.522	18.66	33.3	1.299	52.3	0.5

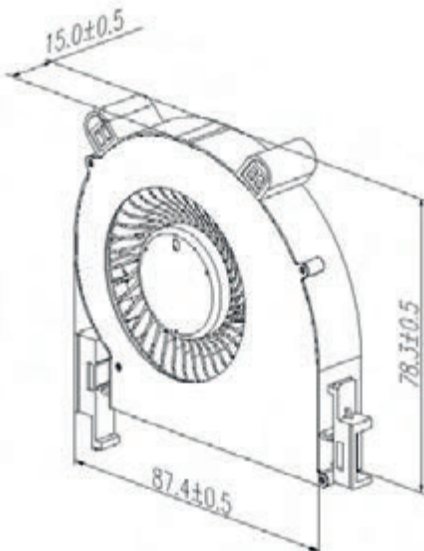
* Signal type is optional. 信号输出类型可以选择的

* The MAX. air flow & the speed are measured in free air ; MAX. air pressure is measured at zero air flow.
在正常气压下测试风扇最大风压以及转速, 在无流量条件下测试风扇最大风压

* All readings are typical values at rated voltage. 所有常规数值都是在额定电压下完成的;

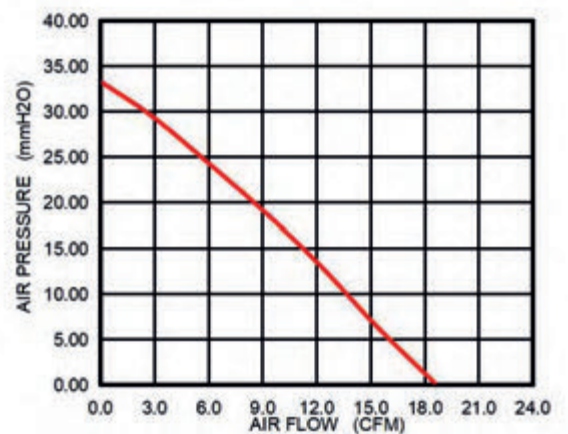
* SPEC. are subject to change without notice. 规格如果变更, 将另行通知

DIMENSIONS DRAWING (外观图)



Unit: mm

P&Q CURVE (AT RATED VOLTAGE)



89 × 90 × 20

Blower

■ General Specifications (普通规格)



●Material (材料):

Frame And Impeller: Plastic UL 94V-0 / SECC
底座和扇叶: 塑胶 (UL 94V-0)

●Lead Wires (导线): UL Type (UL类型)

RED Wire Positive(+) 红色线 正极
Black Wire Negative(-) 黑色线 负极

●Insulation Resistance: 10M Ω Or Over With a DC250V Megger

绝缘阻抗: 10M Ω 或者高于DC250V

●Dielectric Withstand Voltage: AC500V 1S

耐压测试: AC500V 1S

●Allowable Ambient Temperature Range:

环境温度范围:

-10°C ~ +70°C (Operating) 工作温度

-40°C ~ +70°C (Storage) 存储温度

MODEL 型号	BEARING TYPE 轴承类型	Rated Voltage 额定电压	Operating Voltage 工作电压	Rated Current 额定电流	Rated Input power 额定功率	Speed 转速	Maximum Air Flow 最大风量		Maximum Air Pressure 最大风压		Noise/Distance 噪音/距离	
		VDC	VDC	AMP	WATT	RPM	M ³ /Min	CFM	mmH ₂ O	INH ₂ O	dB (A)	m
89×90×20	HDB	12	10.8~13.2	0.45	5.4	3800	0.549	19.6	22.27	0.869	49.5	0.5

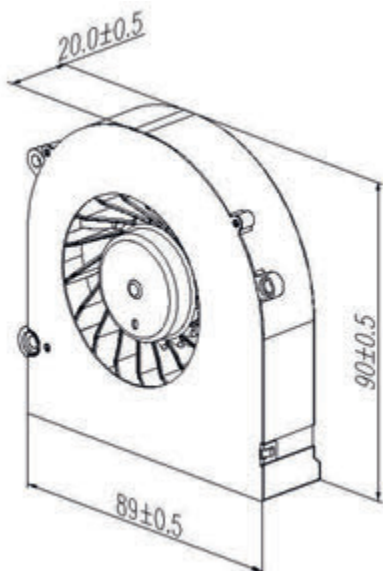
* Signal type is optional. 信号输出类型可以选择的

* The MAX. air flow & the speed are measured in free air ; MAX. air pressure is measured at zero air flow.
在正常气压下测试风扇最大风压以及转速, 在无流量条件下测试风扇最大风压

* All readings are typical values at rated voltage. 所有常规数值都是在额定电压下完成的;

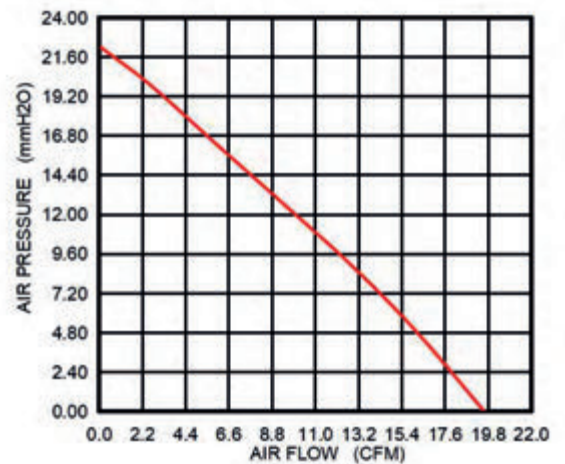
* SPEC. are subject to change without notice. 规格如果变更, 将另行通知

■ DIMENSIONS DRAWING (外观图)



Unit: mm

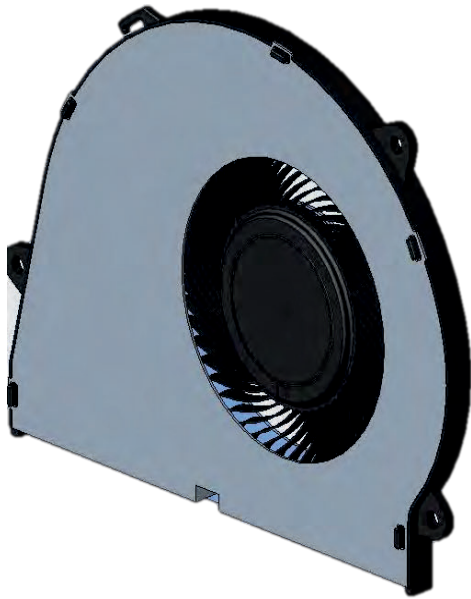
■ P&Q CURVE (AT RATED VOLTAGE)



95.4 × 74.5 × 5

Blower

General Specifications (普通规格)



Material (材料):

Frame And Impeller: Plastic UL 94V-0 / SECC
底座和扇叶: 塑胶 (UL 94V-0) / SECC

Lead Wires (导线): UL Type (UL类型)

RED Wire Positive(+) 红色线 正极
Black Wire Negative(黑色线 负极)

Insulation Resistance: 10M Ω Or Over With a DC250V Megger

绝缘阻抗: 10M Ω 或者高于DC250V

Dielectric Withstand Voltage: AC500V 1S

耐压测试: AC500V 1S

Allowable Ambient Temperature Range:

环境温度范围:

-10°C ~ +70°C (Operating) 工作温度
-40°C ~ +70°C (Storage) 存储温度

MODEL 型号	BEARING TYPE 轴承类型	Rated Voltage 额定电压	Operating Voltage 工作电压	Rated Current 额定电流	Rated Input power 额定功率	Speed 转速	Maximum Air Flow 最大风量		Maximum Air Pressure 最大风压		Noise/Distance 噪音/距离	
		VDC	VDC	AMP	WATT	RPM	M ³ /Min	CFM	mmH ₂ O	INH ₂ O	dB (A)	m
95.4 × 75.5 × 5	HDB	5	3.5 ~ 5.5	0.45	2.25	4500	0.130	4.63	14.52	0.566	40.9	0.5

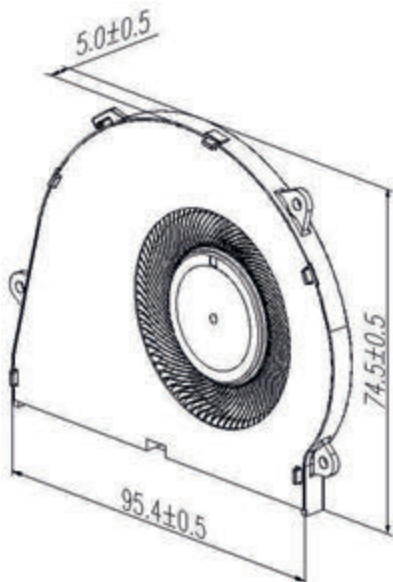
* Signal type is optional. 信号输出类型可以选择的

* The MAX. air flow & the speed are measured in free air; MAX. air pressure is measured at zero air flow.
在正常气压下测试风扇最大风量以及转速, 在无流量条件下测试风扇最大风压

* All readings are typical values at rated voltage. 所有常规数值都是在额定电压下完成的;

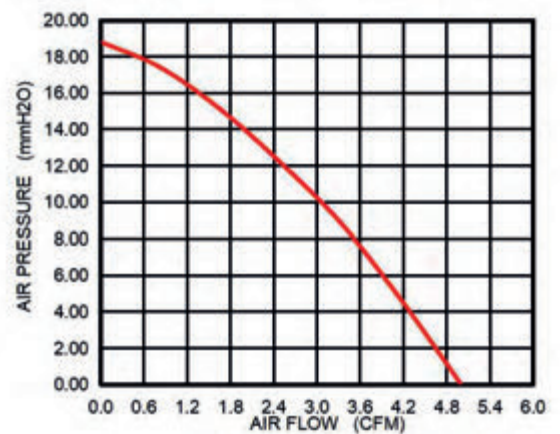
* SPEC. are subject to change without notice. 规格如果变更, 将另行通知

DIMENSIONS DRAWING (外观图)



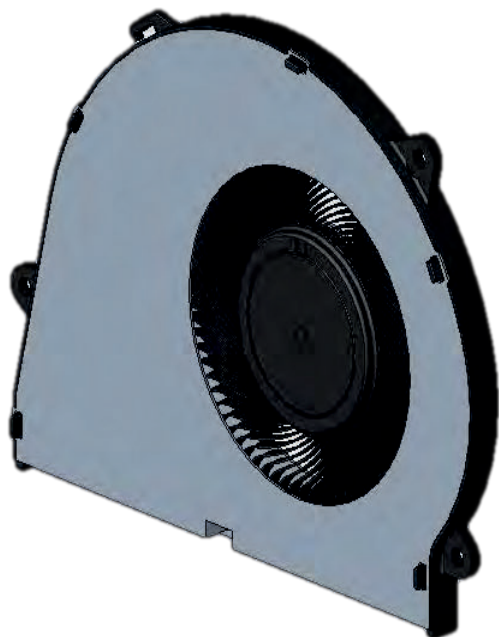
Unit: mm

P&Q CURVE (AT RATED VOLTAGE)



95.4×74.5×5.5 Blower

General Specifications (普通规格)



Material (材料):

Frame And Impeller: Plastic UL 94V-0 / SECC
底座和扇叶: 塑胶 (UL 94V-0) / SECC

Lead Wires (导线): UL Type (UL类型)

RED Wire Positive(+) 红色线 正极
Black Wire Negative() 黑色线 负极

Insulation Resistance: 10M Ω Or Over With a DC250V Megger

绝缘阻抗: 10M Ω 或者高于DC250V

Dielectric Withstand Voltage: AC500V 1S

耐压测试: AC500V 1S

Allowable Ambient Temperature Range:

环境温度范围:

-10°C ~ +70°C (Operating) 工作温度

-40°C ~ +70°C (Storage) 存储温度

MODEL 型号	BEARING TYPE 轴承类型	Rated Voltage 额定电压	Operating Voltage 工作电压	Rated Current 额定电流	Rated Input power 额定功率	Speed 转速	Maximum Air Flow 最大风量		Maximum Air Pressure 最大风压		Noise/Distance 噪音/距离	
		VDC	VDC	AMP	WATT	RPM	M ³ /Min	CFM	mmH ₂ O	INH ₂ O	dB (A)	m
95.4×74.5×5.5	HDB	5	3.5~5.5	0.45	2.25	4500	0.160	5.7	15.87	0.619	41.9	0.5

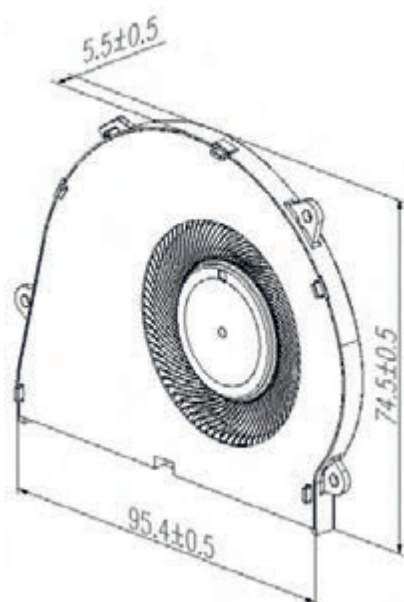
* Signal type is optional. 信号输出类型可以选择的

* The MAX. air flow & the speed are measured in free air ; MAX. air pressure is measured at zero air flow.
在正常气压下测试风扇最大风量以及转速, 在无流量条件下测试风扇最大风压

* All readings are typical values at rated voltage. 所有常规数值都是在额定电压下完成的;

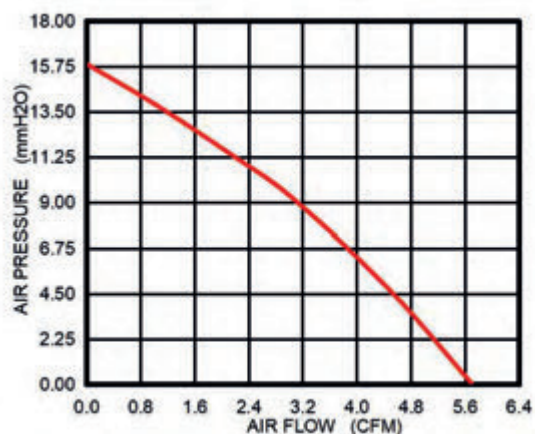
* SPEC. are subject to change without notice. 规格如果变更, 将另行通知

DIMENSIONS DRAWING (外观图)



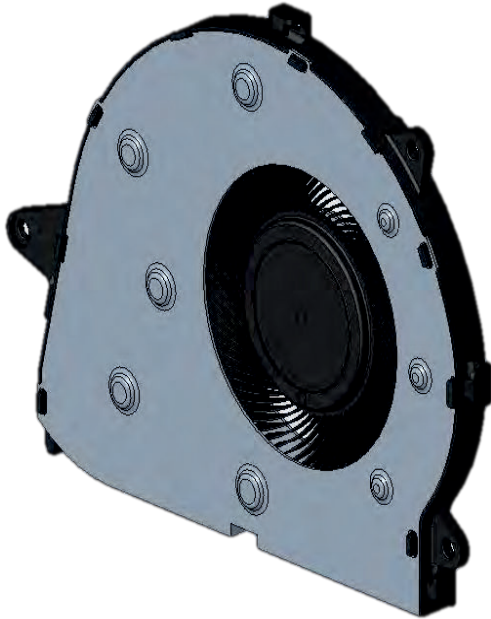
Unit: mm

P&Q CURVE (AT RATED VOLTAGE)



95.8×76.5×6.2 Blower

General Specifications (普通规格)



Material (材料):

Frame And Impeller: Plastic UL 94V-0 / SGCC
底座和扇叶: 塑胶 (UL 94V-0) / SGCC

Lead Wires (导线): UL Type (UL类型)

RED Wire Positive(+) 红色线 正极
Black Wire Negative(黑色线 负极

Insulation Resistance: 10M Ω Or Over With a DC250V Megger

绝缘阻抗: 10M Ω 或者高于DC250V

Dielectric Withstand Voltage: AC500V 1S

耐压测试: AC500V 1S

Allowable Ambient Temperature Range:

环境温度范围:

-10°C ~ +70°C (Operating) 工作温度
-40°C ~ +70°C (Storage) 存储温度

MODEL 型号	BEARING TYPE 轴承类型	Rated Voltage 额定电压	Operating Voltage 工作电压	Rated Current 额定电流	Rated Input power 额定功率	Speed 转速 RPM	Maximum Air Flow 最大风量		Maximum Air Pressure 最大风压		Noise/Distance 噪音/距离	
		VDC	VDC	AMP	WATT		M ³ /Min	CFM	mmH ₂ O	INH ₂ O	dB (A)	m
95.8×76.5×6.2	HDB	5	3.5~5.5	0.45	2.25	4100	0.162	5.77	16.89	0.659	40.9	0.5

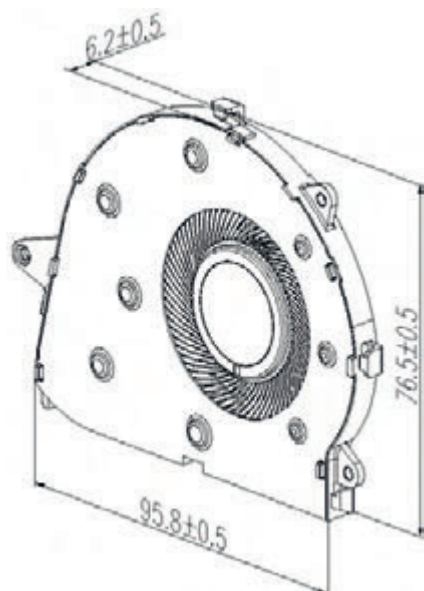
* Signal type is optional. 信号输出类型可以选择的

* The MAX. air flow & the speed are measured in free air ; MAX. air pressure is measured at zero air flow.
在正常气压下测试风扇最大风压以及转速, 在无流量条件下测试风扇最大风压

* All readings are typical values at rated voltage. 所有常规数值都是在额定电压下完成的;

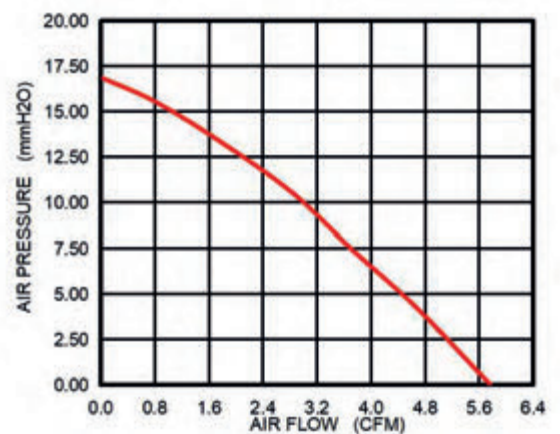
* SPEC. are subject to change without notice. 规格如果变更, 将另行通知

DIMENSIONS DRAWING (外观图)

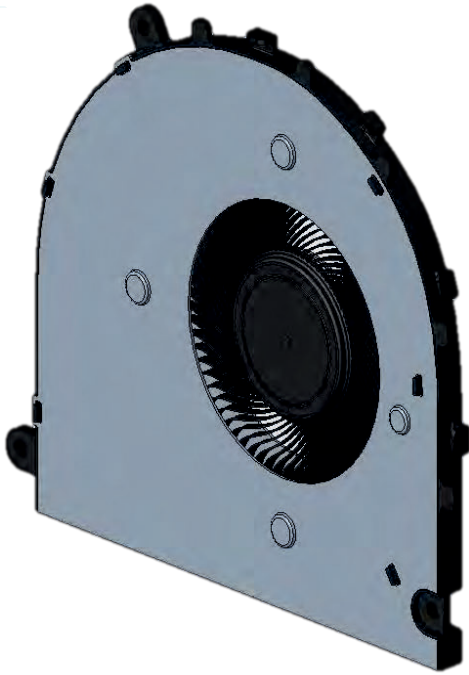


Unit: mm

P&Q CURVE (AT RATED VOLTAGE)



101×94.4×5.5 Blower



General Specifications (普通规格)

Material (材料):

Frame And Impeller: Plastic UL 94V-0 / SGCC
底座和扇叶: 塑胶 (UL 94V-0) / SGCC

Lead Wires (导线): UL Type (UL类型)

RED Wire Positive(+) 红色线 正极
Black Wire Negative(黑色线 负极

Insulation Resistance: 10M Ω Or Over With a DC250V Megger

绝缘阻抗: 10M Ω 或者高于DC250V

Dielectric Withstand Voltage: AC500V 1S

耐压测试: AC500V 1S

Allowable Ambient Temperature Range:

环境温度范围:

-10°C ~ +70°C (Operating) 工作温度
-40°C ~ +70°C (Storage) 存储温度

MODEL 型号	BEARING TYPE 轴承类型	Rated Voltage 额定电压	Operating Voltage 工作电压	Rated Current 额定电流	Rated Input power 额定功率	Speed 转速 RPM	Maximum Air Flow 最大风量		Maximum Air Pressure 最大风压		Noise/Distance 噪音/距离	
		VDC	VDC	AMP	WATT		M ³ /Min	CFM	mmH ₂ O	INH ₂ O	dB (A)	m
101×94.4×5.5	HDB	5	3.5~5.5	0.3	1.5	2900	0.126	4.49	8.57	0.334	29.1	0.5

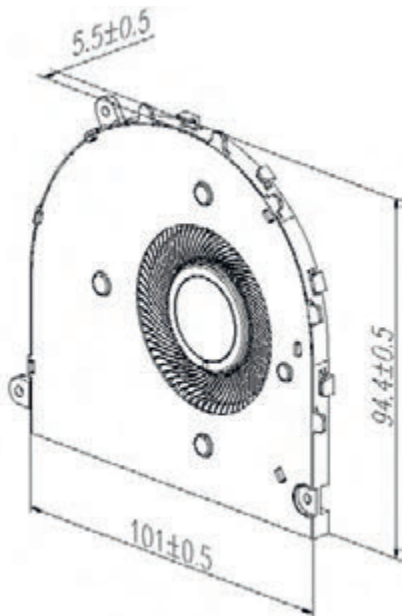
* Signal type is optional. 信号输出类型可以选择的

* The MAX. air flow & the speed are measured in free air ; MAX. air pressure is measured at zero air flow.
在正常气压下测试风扇最大风量以及转速, 在无流量条件下测试风扇最大风压

* All readings are typical values at rated voltage. 所有常规数值都是在额定电压下完成的;

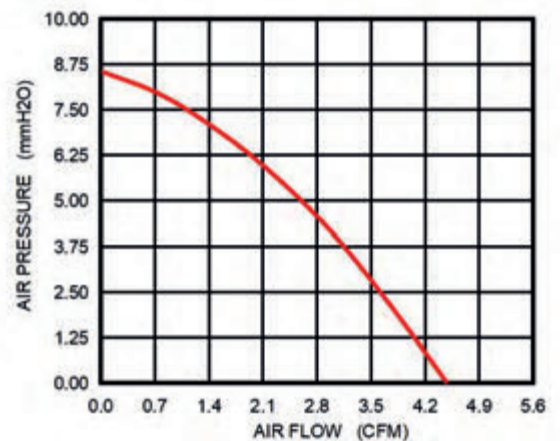
* SPEC. are subject to change without notice. 规格如果变更, 将另行通知

DIMENSIONS DRAWING (外观图)



Unit: mm

P&Q CURVE (AT RATED VOLTAGE)



100×90.5×6.3 Blower

■ General Specifications (普通规格)



●Material (材料):

Frame And Impeller: Plastic UL 94V-0 /SGCC
底座和扇叶: 塑胶 (UL 94V-0) /SGCC

●Lead Wires (导线):UL Type (UL类型)

RED Wire Positive(+) 红色线 正极
Black Wire Negative(黑色线 负极

●Insulation Resistance:10M Ω Or Over With a DC250V Megger

绝缘阻抗: 10M Ω 或者高于DC250V

●Dielectric Withstand Voltage:AC500V 1S

耐压测试: AC500V 1S

●Allowable Ambient Temperature Range:

环境温度范围:

-10℃~+70℃ (Operating) 工作温度
-40℃~+75℃ (Storage) 存储温度

MODEL 型号	BEARING TYPE 轴承类型	Rated Voltage 额定电压	Operating Voltage 工作电压	Rated Current 额定电流	Rated Input power 额定功率	Speed 转速	Maximum Air Flow 最大风量		Maximum Air Pressure 最大风压		Noise/Distance 噪音/距离	
		VDC	VDC	AMP	WATT	RPM	M ³ /Min	CFM	mmH ₂ O	INH ₂ O	dB (A)	m
100×90.5×6.3	HDB	5	3.5~5.5	0.45	2.25	3400	0.190	6.8	16.26	0.634	41.3	0.5

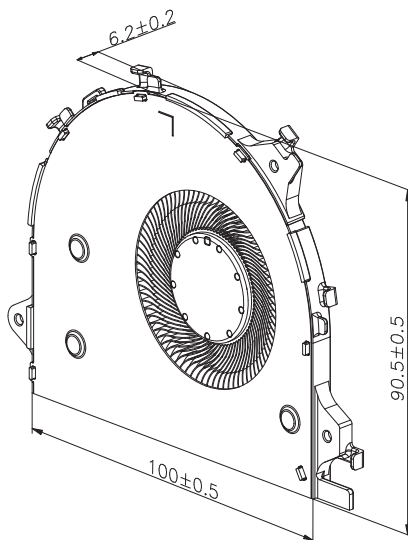
* Signal type is optional. 信号输出类型可以选择的

* The MAX. air flow & the speed are measured in free air ; MAX.air pressure is measured at zero air flow.
在正常气压下测试风扇最大风量以及转速, 在无流量条件下测试风扇最大风压

* All readings are typical values at rated voltage. 所有常规数值都是在额定电压下完成的;

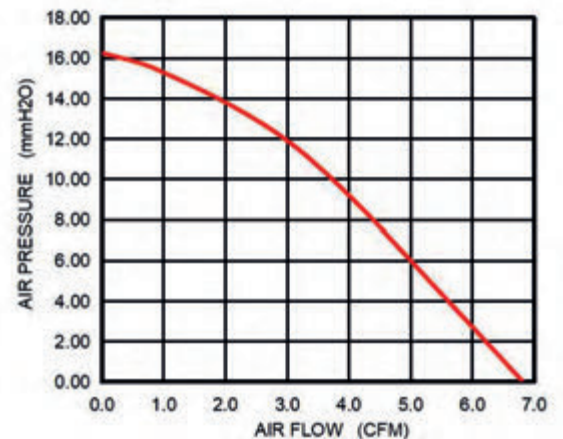
* SPEC. are subject to change without notice. 规格如果变更, 将另行通知

■ DIMENSIONS DRAWING (外观图)



Unit: mm

■ P&Q CURVE (AT RATED VOLTAGE)



109×100×30 Blower

General Specifications (普通规格)



●Material (材料):

Frame And Impeller: Plastic UL 94V-0 /SGCC
底座和扇叶: 塑胶 (UL 94V-0) /SGCC

●Lead Wires (导线):UL Type (UL类型)

RED Wire Positive(+) 红色线 正极
Black Wire Negative(黑色线 负极

●Insulation Resistance:10M Ω Or Over With a DC250V Megger

绝缘阻抗: 10MΩ 或者高于DC250V

●Dielectric Withstand Voltage:AC500V 1S

耐压测试: AC500V 1S

●Allowable Ambient Temperature Range:

环境温度范围:

-10℃~+70℃ (Operating) 工作温度
-40℃~+75℃ (Storage) 存储温度

MODEL 型号	BEARING TYPE 轴承类型	Rated Voltage 额定电压	Operating Voltage 工作电压	Rated Current 额定电流	Rated Input power 额定功率	Speed 转速	Maximum Air Flow 最大风量		Maximum Air Pressure 最大风压		Noise/Distance 噪音/距离	
		VDC	VDC	AMP	WATT	RPM	M ³ /Min	CFM	mmH ₂ O	INH ₂ O	dB (A)	m
109×100×30	HDB	12	10.8~13.2	0.45	5.4	2350	0.984	35.14	14.65	0.571	40.9	1

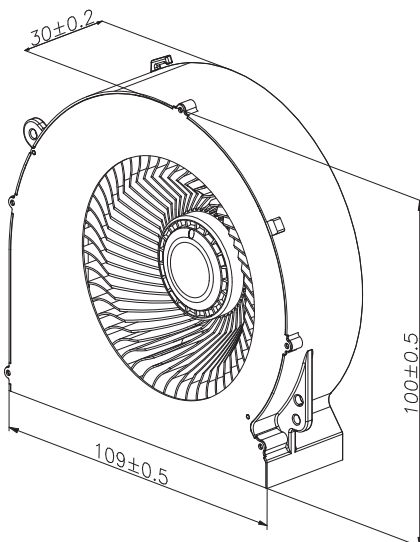
* Signal type is optional. 信号输出类型可以选择的

* The MAX. air flow & the speed are measured in free air ; MAX.air pressure is measured at zero air flow.
在正常气压下测试风扇最大风量以及转速, 在无流量条件下测试风扇最大风压

* All readings are typical values at rated voltage. 所有常规数值都是在额定电压下完成的;

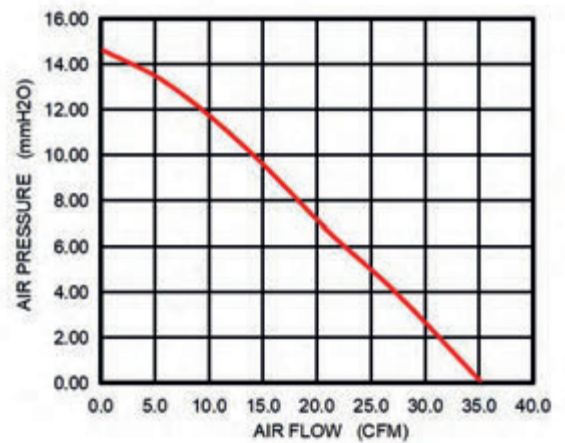
* SPEC. are subject to change without notice. 规格如果变更, 将另行通知

DIMENSIONS DRAWING(外观图)



Unit: mm

P&Q CURVE(AT RATED VOLTAGE)





DC-鼓风机风扇 20x20x06mm

马达可选功能列表 (Available Functions)

1. 马达保护 (Motor protection)

AS

2. 信号输出 (Signal output)

FG

RD

3. 调速方式 (Speed control mode)

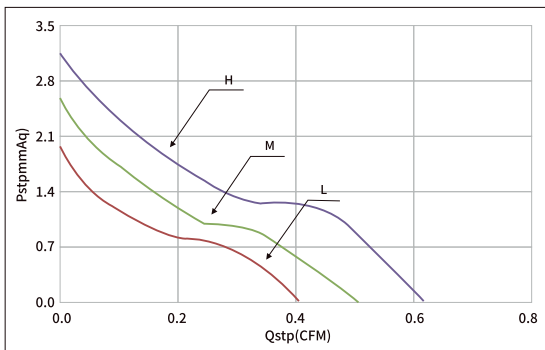
PWM



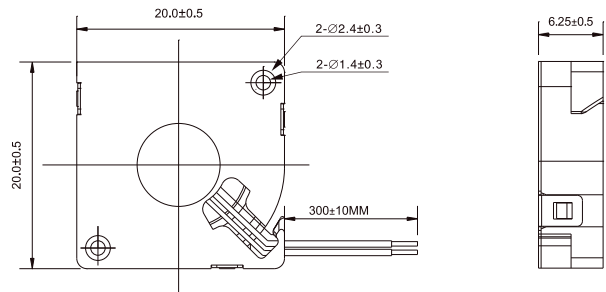
风扇单重: 7g (weight: 7g)



风扇P-Q曲线 / Fan performance curve



尺寸图 / DIMENSIONS DRAWING



Model		Bearing	Rated Voltage	Startup Voltage	Current	Power	Speed	Air Flow		Static Pressure		Noise
型号		轴承	工作电压	启动电压	电流	功率	转速	风量		风压		噪音
Part NO.	Function	System	VDC	VDC	A	W	RPM	M ³ /min	CFM	mmH ₂ O	INH ₂ O	dBA
HBH0205HK	-A	Hydraulic	5	4.0	0.16	0.80	15000	0.02	0.62	3.14	0.12	34.5
HBH0205MK	-A			4.0	0.12	0.60	12000	0.01	0.51	2.57	0.10	27.5
HBH0205LK	-A			4.0	0.08	0.40	9000	0.01	0.41	1.96	0.08	21.6
HBH0212HK	-A	Hydraulic	12	6.0	0.11	1.32	15000	0.02	0.62	3.14	0.12	34.5
HBH0212MK	-A			6.0	0.08	0.96	12000	0.01	0.51	2.57	0.10	27.5
HBH0212LK	-A			6.0	0.05	0.60	9000	0.01	0.41	1.96	0.08	21.6

■ 提示1: 目录首页有功能的详细信息。 Notes1: The catalog have detail information in the front page for the functions.

■ 提示2: 如果您需要列表中的其他转速或电压或功能, 请与我们的业务联系。 Notes2: If you need other speed or voltage or function in the list, please contact our business.



DC BLOWER FAN

DC-鼓风机风扇 35x35x07mm

马达可选功能列表 (Available Functions)

1. 马达保护 (Moto protection)

AS

2. 信号输出 (Signal out put)

FG

RD

3. 调速方式 (Speed control mode)

PWM

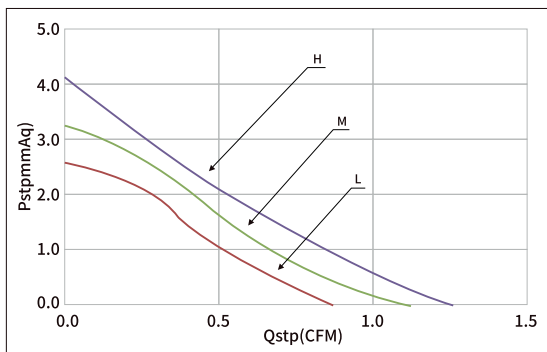


风扇单重: 9g (weight: 9g)

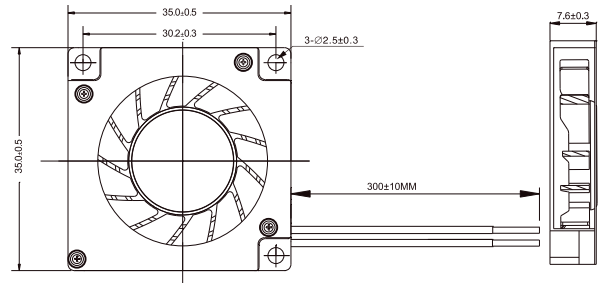


DC BLOWER FAN
鼓风机风扇

风扇P-Q曲线 / Fan performance curve



尺寸图 / DIMENSIONS DRAWING



Model		Bearing	Rated Voltage	Startup Voltage	Current	Power	Speed	Air Flow		Static Pressure		Noise
型号		轴承	工作电压	启动电压	电流	功率	转速	风量		风压		噪音
Part NO.	Function	System	VDC	VDC	A	W	RPM	M ³ /min	CFM	mmH ₂ O	INH ₂ O	dBA
HBH3505HQ		Hydraulic	5	4.0	0.20	1.00	7500	0.04	1.26	4.17	0.16	22.3
HBH3505MQ				4.0	0.15	0.75	6500	0.03	1.12	3.28	0.13	18.7
HBH3505LQ				4.0	0.10	0.50	5500	0.02	0.87	2.60	0.10	15.6
HBH3512HQ		Hydraulic	12	6.0	0.13	1.56	7500	0.04	1.26	4.17	0.16	22.3
HBH3512MQ				6.0	0.09	1.08	6500	0.03	1.12	3.28	0.13	18.7
HBH3512LQ				6.0	0.07	0.84	5500	0.02	0.87	2.60	0.10	15.6

提示1: 目录首页有功能的详细信息。 Notes1: The catalog have detail information in the front page for the functions.

提示2: 如果您需要列表中的其他转速或电压或功能, 请与我们的业务联系。 Notes2: If you need other speed or voltage or function in the list, please contact our business.



DC-鼓风机风扇 30x30x10mm

马达可选功能列表 (Available Functions)

1. 马达保护 (Moto protection)

AS

2. 信号输出 (Signal out put)

FG

RD

3. 调速方式 (Speed control mode)

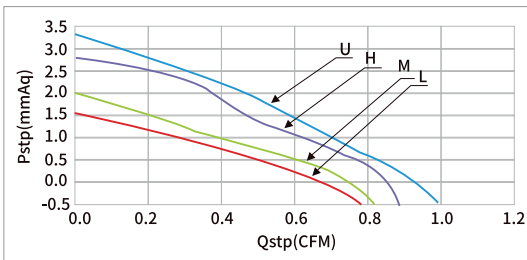
PWM



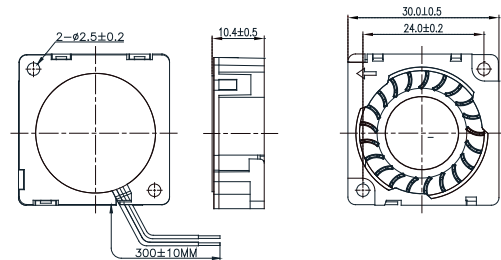
风扇单重: 8.5g (weight: 8.5g)



风扇P-Q曲线 / Fan performance curve



尺寸图 / DIMENSIONS DRAWING



Model		Bearing	Rated Voltage	Startup Voltage	Current	Power	Speed	Air Flow		Static Pressure		Noise
型号		轴承	工作电压	启动电压	电流	功率	转速	风量		风压		噪音
Part NO.	Function	System	VDC	VDC	A	W	RPM	M ³ /min	CFM	mmH ₂ O	INH ₂ O	dB(A)
HBH0305UG		Hydraulic	5	4.0	0.17	0.85	8500	0.03	0.96	3.31	0.13	27.2
HBH0305HG				4.0	0.11	0.55	7500	0.02	0.86	2.80	0.11	25.1
HBH0305MG				4.0	0.08	0.40	6500	0.02	0.77	2.03	0.08	22.7
HBH0305LG				4.0	0.06	0.30	5500	0.02	0.71	1.55	0.06	22.4
HBB0305UG				Ball	5	4.0	0.17	0.00	8500	0.03	0.96	3.31
HBB0305HG		4.0	0.11			0.00	7500	0.02	0.86	2.80	0.11	25.1
HBB0305MG		4.0	0.08			0.00	6500	0.02	0.77	2.03	0.08	22.7
HBB0305LG		4.0	0.06			0.00	5500	0.02	0.71	1.55	0.06	22.4
HBH0312UG		Hydraulic	12	6.0	0.08	0.96	8500	0.03	0.96	3.31	0.13	27.2
HBH0312HG				6.0	0.07	0.84	7500	0.02	0.86	2.80	0.11	25.1
HBH0312MG				6.0	0.05	0.60	6500	0.02	0.77	2.03	0.08	22.7
HBH0312LG				6.0	0.04	0.48	5500	0.02	0.71	1.55	0.06	22.4
HBB0312UG		Ball	12	6.0	0.08	0.96	8500	0.03	0.96	3.31	0.13	27.2
HBB0312HG				6.0	0.07	0.84	7500	0.02	0.86	2.80	0.11	25.1
HBB0312MG				6.0	0.05	0.60	6500	0.02	0.77	2.03	0.08	22.7
HBB0312LG				6.0	0.04	0.48	5500	0.02	0.71	1.55	0.06	22.4
HBH0324UG		Hydraulic	24	6.0	0.10	2.40	8500	0.03	0.96	3.31	0.13	27.2
HBH0324HG				6.0	0.08	1.92	7500	0.02	0.86	2.80	0.11	25.1
HBH0324MG				6.0	0.06	1.44	6500	0.02	0.77	2.03	0.08	22.7
HBH0324LG				6.0	0.05	1.20	5500	0.02	0.71	1.55	0.06	22.4
HBB0324UG		Ball	24	6.0	0.10	2.40	8500	0.03	0.96	3.31	0.13	27.2
HBB0324HG				6.0	0.08	1.92	7500	0.02	0.86	2.80	0.11	25.1
HBB0324MG				6.0	0.06	1.44	6500	0.02	0.77	2.03	0.08	22.7
HBB0324LG				6.0	0.05	1.20	5500	0.02	0.71	1.55	0.06	22.4

■ 提示1: 目录首页有功能的详细信息。 Notes1: The catalog have detail information in the front page for the functions.

■ 提示2: 如果您需要列表中的其他转速或电压或功能, 请与我们的业务联系。 Notes2: If you need other speed or voltage or function in the list, please contact our business.



DC BLOWER FAN

DC-鼓风机风扇 35x35x10mm

马达可选功能列表 (Available Functions)

1. 马达保护 (Moto protection)

AS

2. 信号输出 (Signal out put)

FG

RD

3. 调速方式 (Speed control mode)

PWM

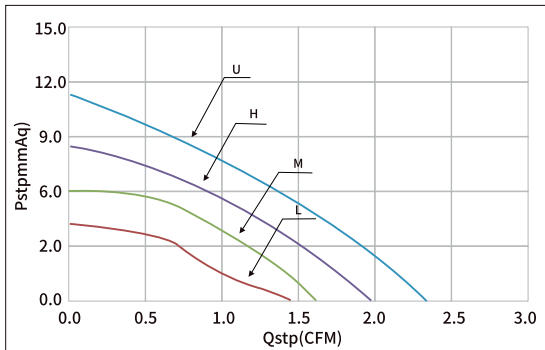


风扇单重: 10g (weight: 10g)

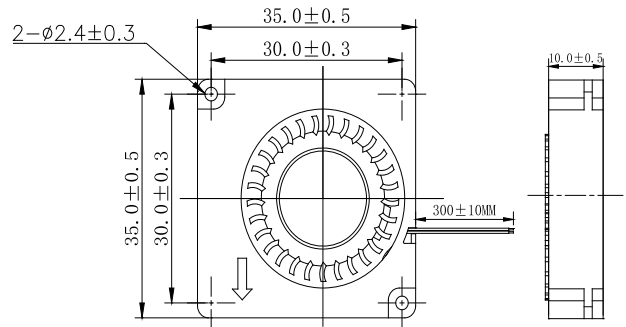


DC BLOWER FAN
鼓风机风扇

风扇P-Q曲线 / Fan performance curve



尺寸图 / DIMENSIONS DRAWING



Model	Bearing	Rated Voltage	Startup Voltage	Current	Power	Speed	Air Flow		Static Pressure		Noise	
型号	轴承	工作电压	启动电压	电流	功率	转速	风量		风压		噪音	
Part NO.	Function	System	VDC	VDC	A	W	RPM	M ³ /min	CFM	mmH ₂ O	INH ₂ O	dBA
HBH3505UG		Hydraulic	5	4.0	0.15	0.75	8500	0.07	2.35	11.32	0.45	30.9
HBH3505HG				4.0	0.11	0.55	7500	0.06	1.98	8.52	0.34	28.1
HBH3505MG				4.0	0.08	0.40	6500	0.05	1.62	6.02	0.24	25.7
HBH3505LG				4.0	0.05	0.25	5500	0.04	1.46	4.21	0.17	23.0
HBH3512UG		Hydraulic	12	6.0	0.08	0.96	8500	0.07	2.35	11.32	0.45	30.9
HBH3512HG				6.0	0.72	0.72	7500	0.06	1.98	8.52	0.34	28.1
HBH3512MG				6.0	0.60	0.60	6500	0.05	1.62	6.02	0.24	25.7
HBH3512LG				6.0	0.48	0.48	5500	0.04	1.46	4.21	0.17	23.0

提示1: 目录首页有功能的详细信息。 Notes1: The catalog have detail information in the front page for the functions.

提示2: 如果您需要列表中的其他转速或电压或功能, 请与我们的业务联系。 Notes2: If you need other speed or voltage or function in the list, please contact our business.



DC-鼓风机风扇 40x40x10mm

马达可选功能列表 (Available Functions)

1. 马达保护 (Motor protection)

AS

2. 信号输出 (Signal output)

FG

RD

3. 调速方式 (Speed control mode)

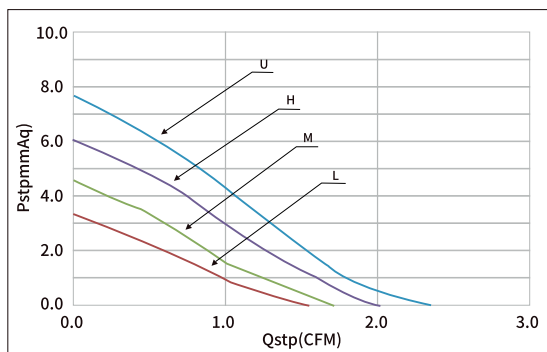
PWM



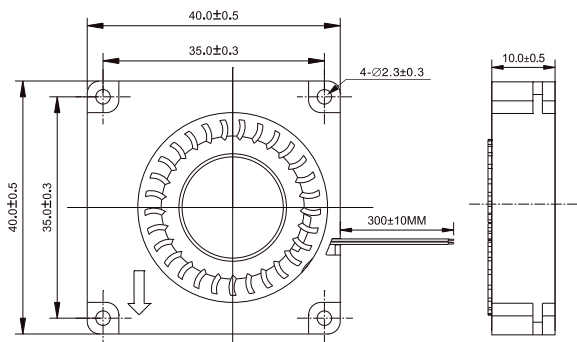
风扇单重: 10g (weight: 10g)



风扇P-Q曲线 / Fan performance curve



尺寸图 / DIMENSIONS DRAWING



Model	Bearing	Rated Voltage	Startup Voltage	Current	Power	Speed	Air Flow	Static Pressure	Noise			
型号	轴承	工作电压	启动电压	电流	功率	转速	风量	风压	噪音			
Part NO.	Function	System	VDC	VDC	A	W	RPM	M ³ /min	CFM	mmH ₂ O	INH ₂ O	dB(A)
HBS0405UG	Sleeve	5	4.0	4.0	0.22	1.10	8500	0.07	2.36	7.71	0.30	28.2
HBS0405HG			4.0	4.0	0.17	0.85	7500	0.06	2.04	6.07	0.24	26.6
HBS0405MG			4.0	4.0	0.11	0.55	6500	0.05	1.72	4.57	0.18	23.7
HBS0405LG			4.0	4.0	0.07	0.35	5500	0.04	1.56	3.36	0.13	20.9
HBB0405UG	Ball		4.0	4.0	0.22	1.10	8500	0.07	2.36	7.71	0.30	28.2
HBB0405HG			4.0	4.0	0.17	0.85	7500	0.06	2.04	6.07	0.24	26.6
HBB0405MG			4.0	4.0	0.11	0.55	6500	0.05	1.72	4.57	0.18	23.7
HBB0405LG			4.0	4.0	0.07	0.35	5500	0.04	1.56	3.36	0.13	20.9
HBS0412UG	Sleeve	12	9.0	9.0	0.10	1.20	8500	0.07	2.36	7.71	0.30	28.2
HBS0412HG			9.0	9.0	0.08	0.96	7500	0.06	2.04	6.07	0.24	26.6
HBS0412MG			9.0	9.0	0.06	0.72	6500	0.05	1.72	4.57	0.18	23.7
HBS0412LG			9.0	9.0	0.05	0.60	5500	0.04	1.56	3.36	0.13	20.9
HBB0412UG	Ball		9.0	9.0	0.10	1.20	8500	0.07	2.36	7.71	0.30	28.2
HBB0412HG			9.0	9.0	0.08	0.96	7500	0.06	2.04	6.07	0.24	26.6
HBB0412MG			9.0	9.0	0.06	0.72	6500	0.05	1.72	4.57	0.18	23.7
HBB0412LG			9.0	9.0	0.05	0.60	5500	0.04	1.56	3.36	0.13	20.9

提示1: 目录首页有功能的详细信息。 Notes1: The catalog have detail information in the front page for the functions.

提示2: 如果您需要列表中的其他转速或电压或功能, 请与我们的业务联系。 Notes2: If you need other speed or voltage or function in the list, please contact our business.



DC BLOWER FAN

DC-鼓风机风扇 40x40x15mm

马达可选功能列表 (Available Functions)

1. 马达保护 (Motor protection)

AS

2. 信号输出 (Signal output)

FG

RD

3. 调速方式 (Speed control mode)

PWM

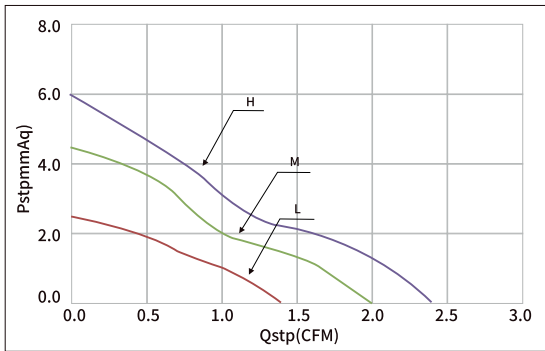


风扇单重: 20g (weight: 20g)

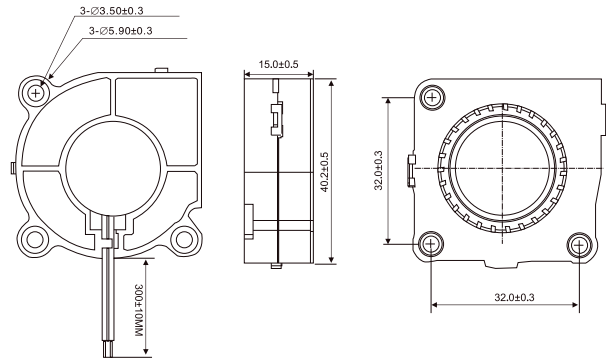


DC BLOWER FAN
鼓风机风扇

风扇P-Q曲线 / Fan performance curve



尺寸图 / DIMENSIONS DRAWING



Model		Bearing	Rated Voltage	Startup Voltage	Current	Power	Speed	Air Flow		Static Pressure		Noise
型号		轴承	工作电压	启动电压	电流	功率	转速	风量		风压		噪音
Part NO.	Function	System	VDC	VDC	A	W	RPM	M ³ /min	CFM	mmH ₂ O	INH ₂ O	dBA
HBH0405HD		Hydraulic	5	4.5	0.20	1.00	6000	0.07	2.41	5.98	0.24	29.4
HBH0405MD				4.5	0.15	0.75	5300	0.06	2.00	4.46	0.18	26.6
HBH0405LD				4.5	0.10	0.50	4200	0.04	1.41	2.48	0.10	24.8
HBB0405HD		Ball		4.5	0.20	1.00	6000	0.07	2.41	5.98	0.24	29.4
HBB0405MD				4.5	0.15	0.75	5300	0.06	2.00	4.46	0.18	26.6
HBB0405LD				4.5	0.10	0.50	4200	0.04	1.41	2.48	0.10	24.8
HBH0412HD		Hydraulic	12	9.5	0.13	1.56	6000	0.07	2.41	5.98	0.24	29.4
HBH0412MD				9.5	0.10	1.20	5300	0.06	2.00	4.46	0.18	26.6
HBH0412LD				9.5	0.08	0.96	4200	0.04	1.41	2.48	0.10	24.8
HBB0412HD		Ball		9.5	0.13	1.56	6000	0.07	2.41	5.98	0.24	29.4
HBB0412MD				9.5	0.10	1.20	5300	0.06	2.00	4.46	0.18	26.6
HBB0412LD				9.5	0.08	0.96	4200	0.04	1.41	2.48	0.10	24.8

提示1: 目录首页有功能的详细信息。 Notes1: The catalog have detail information in the front page for the functions.

提示2: 如果您需要列表中的其他转速或电压或功能, 请与我们的业务联系。 Notes2: If you need other speed or voltage or function in the list, please contact our business.



DC-鼓风机风扇 40x40x20mm

马达可选功能列表 (Available Functions)

1. 马达保护 (Motor protection)

AS

2. 信号输出 (Signal output)

FG

RD

3. 调速方式 (Speed control mode)

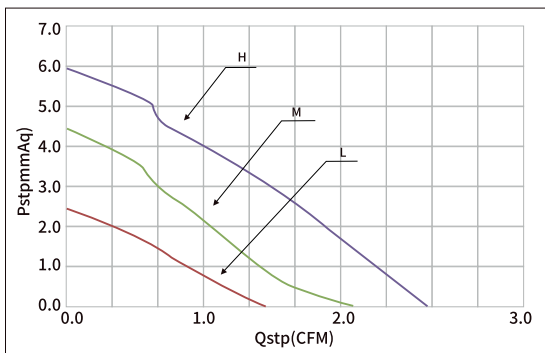
PWM



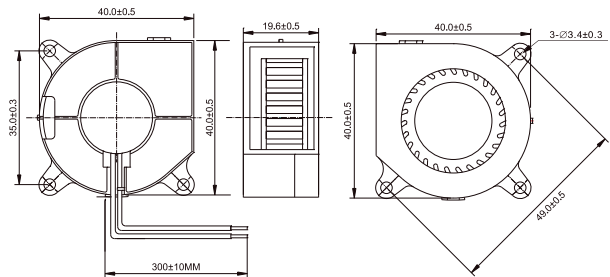
风扇单重: 22g (weight: 22g)



风扇P-Q曲线 / Fan performance curve



尺寸图 / DIMENSIONS DRAWING



Model	Bearing	Rated Voltage	Startup Voltage	Current	Power	Speed	Air Flow	Static Pressure	Noise				
型号	轴承	工作电压	启动电压	电流	功率	转速	风量	风压	噪音				
Part NO.	Function	System	VDC	VDC	A	W	RPM	M ³ /min	CFM	mmH ₂ O	INH ₂ O	dBA	
HBS0405HC	Sleeve	5	4.0	4.0	0.20	1.00	6000	0.07	2.37	5.93	0.23	30.4	
HBS0405MC			4.0	4.0	0.15	0.75	5300	0.05	1.90	4.45	0.18	27.6	
HBS0405LC			4.0	4.0	0.10	0.50	4200	0.04	1.31	2.44	0.10	25.0	
HBB0405HC			Ball	4.0	4.0	0.20	1.00	6000	0.07	2.37	5.93	0.23	30.4
HBB0405MC				4.0	4.0	0.15	0.75	5300	0.05	1.90	4.45	0.18	27.6
HBB0405LC				4.0	4.0	0.10	0.50	4200	0.04	1.31	2.44	0.10	25.0
HBS0412HC	Sleeve	12	9.0	9.0	0.13	1.56	6000	0.07	2.37	5.93	0.23	30.4	
HBS0412MC			9.0	9.0	0.10	1.20	5300	0.05	1.90	4.45	0.18	27.6	
HBS0412LC			9.0	9.0	0.08	0.96	4200	0.04	1.31	2.44	0.10	25.0	
HBB0412HC			Ball	9.0	9.0	0.13	1.56	6000	0.07	2.37	5.93	0.23	30.4
HBB0412MC				9.0	9.0	0.10	1.20	5300	0.05	1.90	4.45	0.18	27.6
HBB0412LC				9.0	9.0	0.08	0.96	4200	0.04	1.31	2.44	0.10	25.0
HBS0424HC	Sleeve	24	12.0	12.0	0.10	2.40	6000	0.07	2.37	5.93	0.23	30.4	
HBS0424MC			12.0	12.0	0.08	1.92	5300	0.05	1.90	4.45	0.18	27.6	
HBS0424LC			12.0	12.0	0.06	1.44	4200	0.04	1.31	2.44	0.10	25.0	
HBB0424HC			Ball	12.0	12.0	0.10	2.40	6000	0.07	2.37	5.93	0.23	30.4
HBB0424MC				12.0	12.0	0.08	1.92	5300	0.05	1.90	4.45	0.18	27.6
HBB0424LC				12.0	12.0	0.06	1.44	4200	0.04	1.31	2.44	0.10	25.0

提示1: 目录首页有功能的详细信息。 Notes1: The catalog have detail information in the front page for the functions.

提示2: 如果您需要列表中的其他转速或电压或功能, 请与我们的业务联系。 Notes2: If you need other speed or voltage or function in the list, please contact our business.



DC BLOWER FAN

DC-鼓风机风扇 45x45x10mm

马达可选功能列表 (Available Functions)

1. 马达保护 (Moto protection)

AS

2. 信号输出 (Signal out put)

FG

RD

3. 调速方式 (Speed control mode)

PWM

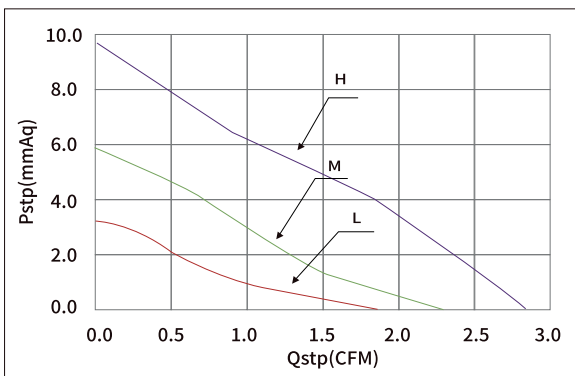


风扇单重: 12g (weight: 12g)

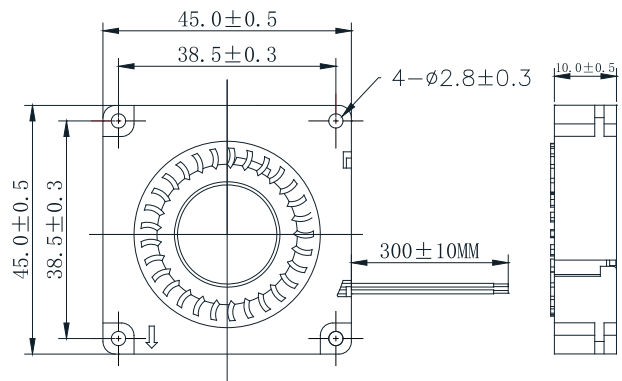


DC BLOWER FAN
鼓风机风扇

风扇P-Q曲线 / Fan performance curve



尺寸图 / DIMENSIONS DRAWING



Model	Bearing	Rated Voltage	Startup Voltage	Current	Power	Speed	Air Flow	Static Pressure	Noise			
型号	轴承	工作电压	启动电压	电流	功率	转速	风量	风压	噪音			
Part NO.	Function	System	VDC	VDC	A	W	RPM	M ³ /min	CFM	mmH ₂ O	INH ₂ O	dBA
HBS4505HG	Sleeve	5	VDC	4.0	0.11	0.55	5500	0.08	2.84	9.84	0.39	29.4
HBS4505MG				4.0	0.07	0.35	4500	0.07	2.31	5.91	0.23	25.8
HBS4505LG				4.0	0.05	0.25	3500	0.05	1.88	3.24	0.13	20.8
HBB4505HG	Ball			4.0	0.11	0.55	5500	0.08	2.84	9.84	0.39	29.4
HBB4505MG				4.0	0.07	0.35	4500	0.07	2.31	5.91	0.23	25.8
HBB4505LG				4.0	0.05	0.25	3500	0.05	1.88	3.24	0.13	20.8
HBS4512HG	Sleeve	12	VDC	4.0	0.06	0.72	5500	0.08	2.84	9.84	0.39	29.4
HBS4512MG				4.0	0.05	0.60	4500	0.07	2.31	5.91	0.23	25.8
HBS4512LG				4.0	0.04	0.48	3500	0.05	1.88	3.24	0.13	20.8
HBB4512HG	Ball			6.0	0.06	0.72	5500	0.08	2.84	9.84	0.39	29.4
HBB4512MG				6.0	0.05	0.60	4500	0.07	2.31	5.91	0.23	25.8
HBB4512LG				6.0	0.04	0.48	3500	0.05	1.88	3.24	0.13	20.8

■ 提示1: 目录首页有功能的详细信息。 Notes1: The catalog have detail information in the front page for the functions.

■ 提示2: 如果您需要列表中的其他转速或电压或功能, 请与我们的业务联系。 Notes2: If you need other speed or voltage or function in the list, please contact our business.



DC-鼓风机风扇

51x51x15mm

马达可选功能列表 (Available Functions)

1. 马达保护 (Moto protection)

AS

2. 信号输出 (Signal out put)

FG

RD

3. 调速方式 (Speed control mode)

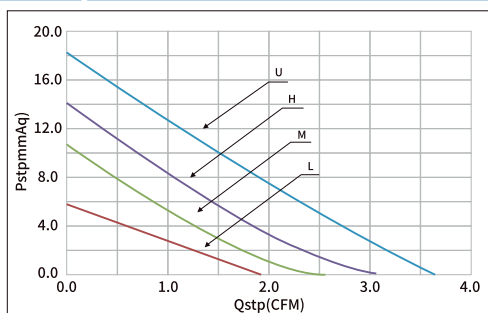
PWM



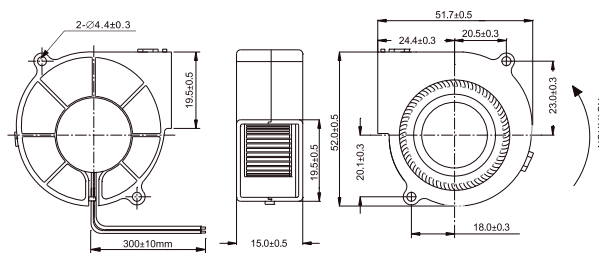
风扇单重: 25g (weight: 25g)



风扇P-Q曲线 / Fan performance curve



尺寸图 / DIMENSIONS DRAWING



Model	Bearing	Rated Voltage	Startup Voltage	Current	Power	Speed	Air Flow	Static Pressure	Noise					
型号	轴承	工作电压	启动电压	电流	功率	转速	风量	风压	噪音					
Part NO.	Function	System	VDC	VDC	A	W	RPM	M ³ /min	CFM	mmH ₂ O	INH ₂ O	dBA		
HBS0505HD	-A	Sleeve	5	4.0	0.33	1.65	5500	0.09	3.07	14.05	0.55	32.6		
HBS0505MD				4.0	0.28	1.40	4500	0.07	2.57	10.68	0.42	28.2		
HBS0505LD				4.0	0.14	0.70	3500	0.05	1.92	5.76	0.23	21.9		
HBB0505HD	-A			Ball	5	4.0	0.33	1.65	5500	0.09	3.07	14.05	0.55	32.6
HBB0505MD						4.0	0.28	1.40	4500	0.07	2.57	10.68	0.42	28.2
HBB0505LD						4.0	0.14	0.70	3500	0.05	1.92	5.76	0.23	21.9
HBS0512HD		Sleeve	12			5.0	0.18	2.16	5500	0.09	3.07	14.05	0.55	32.6
HBS0512MD				5.0	0.12	1.44	4500	0.07	2.57	10.68	0.42	28.2		
HBS0512LD				5.0	0.08	0.96	3500	0.05	1.92	5.76	0.23	21.9		
HBB0512UD				Ball	12	5.0	0.23	2.76	6500	0.10	3.69	18.24	0.72	36.3
HBB0512HD						5.0	0.18	2.16	5500	0.09	3.07	14.05	0.55	32.6
HBB0512MD						5.0	0.12	1.44	4500	0.07	2.57	10.68	0.42	28.2
HBB0512LD		5.0	0.08			0.96	3500	0.05	1.92	5.76	0.23	21.9		
HBS0524HD		Sleeve	24	12.0	0.12	2.88	5500	0.09	3.07	14.05	0.55	32.6		
HBS0524MD				12.0	0.08	1.92	4500	0.07	2.57	10.68	0.42	28.2		
HBS0524LD				12.0	0.05	1.20	3500	0.05	1.92	5.76	0.23	21.9		
HBB0524UD				Ball	24	12.0	0.16	3.84	6500	0.10	3.69	18.24	0.72	36.3
HBB0524HD						12.0	0.12	2.88	5500	0.09	3.07	14.05	0.55	32.6
HBB0524MD						12.0	0.08	1.92	4500	0.07	2.57	10.68	0.42	28.2
HBB0524LD		12.0	0.05			1.20	3500	0.05	1.92	5.76	0.23	21.9		

■ 提示1: 目录首页有功能的详细信息。 Notes1: The catalog have detail information in the front page for the functions.

■ 提示2: 如果您需要列表中的其他转速或电压或功能, 请与我们的业务联系。 Notes2: If you need other speed or voltage or function in the list, please contact our business.



DC BLOWER FAN

DC-鼓风机风扇 50x50x20mm

马达可选功能列表 (Available Functions)

1. 马达保护 (Moto protection)

AS

2. 信号输出 (Signal out put)

FG

RD

3. 调速方式 (Speed control mode)

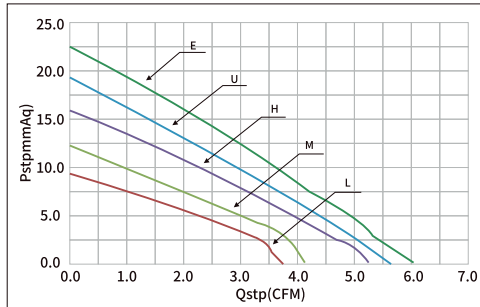
PWM



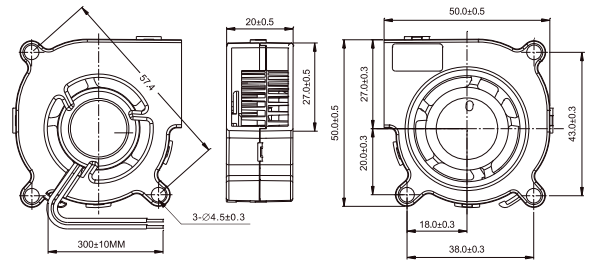
风扇单重: 33g (weight: 33g)



风扇P-Q曲线 / Fan performance curve



尺寸图 / DIMENSIONS DRAWING



DC BLOWER FAN
鼓风机风扇

Model		Bearing	Rated Voltage	Startup Voltage	Current	Power	Speed	Air Flow		Static Pressure		Noise
型号		轴承	工作电压	启动电压	电流	功率	转速	风量		风压		噪音
Part NO.	Function	System	VDC	VDC	A	W	RPM	M ³ /min	CFM	mmH ₂ O	INH ₂ O	dB(A)
HBH0505EC	-A	Hydraulic	5	4.0	0.41	2.05	5500	0.17	6.03	22.43	0.88	39.3
HBH0505UC	-A			4.0	0.38	1.90	5000	0.16	5.64	19.19	0.76	36.0
HBH0505HC				4.0	0.23	1.15	4500	0.15	5.27	15.75	0.62	34.3
HBH0505MC				4.0	0.19	0.95	4000	0.12	4.12	12.18	0.48	31.8
HBH0505LC				4.0	0.15	0.75	3500	0.11	3.76	9.23	0.36	30.5
HBB0505EC	-A	Ball	5	4.0	0.41	2.05	5500	0.17	6.03	22.43	0.88	39.3
HBB0505UC	-A			4.0	0.38	1.90	5000	0.16	5.64	19.19	0.76	36.0
HBB0505HC				4.0	0.23	1.15	4500	0.15	5.27	15.75	0.62	34.3
HBB0505MC				4.0	0.19	0.95	4000	0.12	4.12	12.18	0.48	31.8
HBB0505LC				4.0	0.15	0.75	3500	0.11	3.76	9.23	0.36	30.5
HBH0512EC		Hydraulic	12	5.0	0.25	3.00	5500	0.17	6.03	22.43	0.88	39.3
HBH0512UC				5.0	0.18	2.16	5000	0.16	5.64	19.19	0.76	36.0
HBH0512HC				5.0	0.14	1.68	4500	0.15	5.27	15.75	0.62	34.3
HBH0512MC				5.0	0.13	1.56	4000	0.12	4.12	12.18	0.48	31.8
HBH0512LC				5.0	0.12	1.44	3500	0.11	3.76	9.23	0.36	30.5
HBB0512EC		Ball	12	5.0	0.25	3.00	5500	0.17	6.03	22.43	0.88	39.3
HBB0512UC				5.0	0.18	2.16	5000	0.16	5.64	19.19	0.76	36.0
HBB0512HC				5.0	0.14	1.68	4500	0.15	5.27	15.75	0.62	34.3
HBB0512MC				5.0	0.13	1.56	4000	0.12	4.12	12.18	0.48	31.8
HBB0512LC				5.0	0.12	1.44	3500	0.11	3.76	9.23	0.36	30.5
HBH0524EC		Hydraulic	24	12.0	0.15	3.60	5500	0.17	6.03	22.43	0.88	39.3
HBH0524UC				12.0	0.11	2.64	5000	0.16	5.64	19.19	0.76	36.0
HBH0524HC				12.0	0.09	2.16	4500	0.15	5.27	15.75	0.62	34.3
HBH0524MC				12.0	0.08	1.92	4000	0.12	4.12	12.18	0.48	31.8
HBH0524LC				12.0	0.07	1.68	3500	0.11	3.76	9.23	0.36	30.5
HBB0524EC		Ball	24	12.0	0.15	3.60	5500	0.17	6.03	22.43	0.88	39.3
HBB0524UC				12.0	0.11	2.64	5000	0.16	5.64	19.19	0.76	36.0
HBB0524HC				12.0	0.09	2.16	4500	0.15	5.27	15.75	0.62	34.3
HBB0524MC				12.0	0.08	1.92	4000	0.12	4.12	12.18	0.48	31.8
HBB0524LC				12.0	0.07	1.68	3500	0.11	3.76	9.23	0.36	30.5

提示1: 目录首页有功能的详细信息。 Notes1: The catalog have detail information in the front page for the functions.

提示2: 如果您需要列表中的其他转速或电压或功能, 请与我们的业务联系。 Notes2: If you need other speed or voltage or function in the list, please contact our business.



DC-鼓风机风扇 60x60x15mm

马达可选功能列表 (Available Functions)

1. 马达保护 (Motor protection)

AS

2. 信号输出 (Signal output)

FG

RD

3. 调速方式 (Speed control mode)

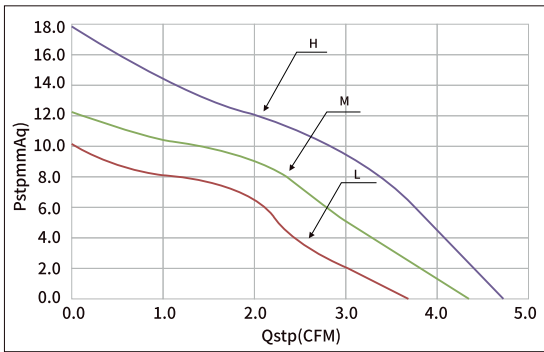
PWM



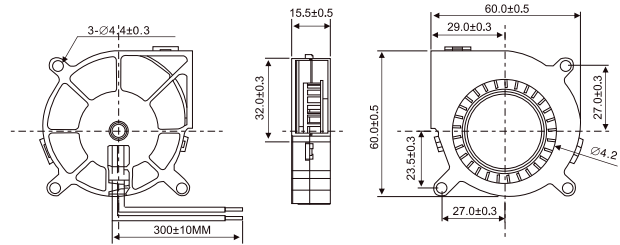
风扇单重: 43g (weight: 43g)



风扇P-Q曲线 / Fan performance curve



尺寸图 / DIMENSIONS DRAWING



Model		Bearing	Rated Voltage	Startup Voltage	Current	Power	Speed	Air Flow		Static Pressure		Noise
型号		轴承	工作电压	启动电压	电流	功率	转速	风量		风压		噪音
Part NO.	Function	System	VDC	VDC	A	W	RPM	M ³ /min	CFM	mmH ₂ O	INH ₂ O	dBA
HBS0605HD		Sleeve	5	4.5	0.23	1.15	4500	0.13	4.72	17.97	0.71	41.3
HBS0605MD				4.5	0.15	0.75	4000	0.12	4.35	12.23	0.48	37.9
HBS0605LD				4.5	0.13	0.65	3500	0.10	3.71	10.24	0.40	32.4
HBB0605HD		Ball		4.5	0.23	1.15	4500	0.13	4.72	17.97	0.71	41.3
HBB0605MD				4.5	0.15	0.75	4000	0.12	4.35	12.23	0.48	37.9
HBB0605LD				4.5	0.13	0.65	3500	0.10	3.71	10.24	0.40	32.4
HBS0612HD		Sleeve	12	9.5	0.13	1.56	4500	0.13	4.72	17.97	0.71	41.3
HBS0612MD				9.5	0.10	1.20	4000	0.12	4.35	12.23	0.48	37.9
HBS0612LD				9.5	0.08	0.96	3500	0.10	3.71	10.24	0.40	32.4
HBB0612HD		Ball		9.5	0.13	1.56	4500	0.13	4.72	17.97	0.71	41.3
HBB0612MD				9.5	0.10	1.20	4000	0.12	4.35	12.23	0.48	37.9
HBB0612LD				9.5	0.08	0.96	3500	0.10	3.71	10.24	0.40	32.4

■ 提示1: 目录首页有功能的详细信息。 Notes1: The catalog have detail information in the front page for the functions.

■ 提示2: 如果您需要列表中的其他转速或电压或功能, 请与我们的业务联系。 Notes2: If you need other speed or voltage or function in the list, please contact our business.



DC BLOWER FAN

DC-鼓风机风扇 60x60x25mm

马达可选功能列表 (Available Functions)

1. 马达保护 (Motor protection)

AS

2. 信号输出 (Signal out put)

FG

RD

3. 调速方式 (Speed control mode)

PWM

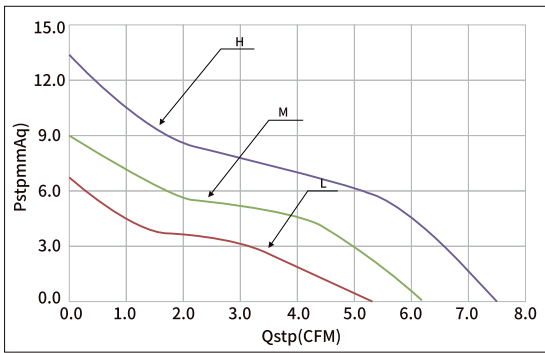


风扇单重: 45g (weight: 45g)

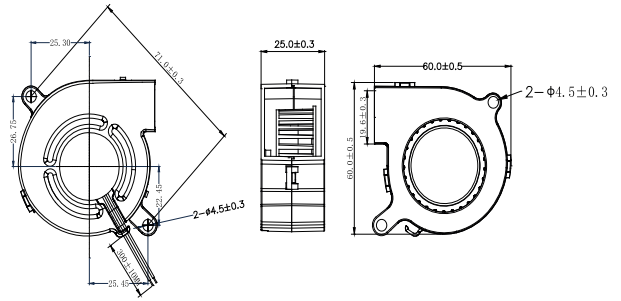


DC BLOWER FAN
鼓风机风扇

风扇P-Q曲线 / Fan performance curve



尺寸图 / DIMENSIONS DRAWING



Model	Bearing	Rated Voltage	Startup Voltage	Current	Power	Speed	Air Flow	Static Pressure	Noise				
型号	轴承	工作电压	启动电压	电流	功率	转速	风量	风压	噪音				
Part NO.	Function	System	VDC	VDC	A	W	RPM	M ³ /min	CFM	mmH ₂ O	INH ₂ O	dBA	
HBS0612HA	Sleeve	12	5.0	5.0	0.32	3.84	4500	0.21	7.56	13.40	0.53	41.3	
HBS0612MA			5.0	5.0	0.24	2.88	3700	0.18	6.22	9.06	0.36	37.1	
HBS0612LA			5.0	5.0	0.18	2.16	3200	0.15	5.38	6.78	0.27	33.9	
HBB0612HA			Ball	5.0	5.0	0.32	3.84	4500	0.21	7.56	13.40	0.53	41.3
HBB0612MA				5.0	5.0	0.24	2.88	3700	0.18	6.22	9.06	0.36	37.1
HBB0612LA				5.0	5.0	0.18	2.16	3200	0.15	5.38	6.78	0.27	33.9
HBS0624HA	Sleeve	24	12.0	12.0	0.20	4.80	4500	0.21	7.56	13.40	0.53	41.3	
HBS0624MA			12.0	12.0	0.15	3.60	3700	0.18	6.22	9.06	0.36	37.1	
HBS0624LA			12.0	12.0	0.11	2.64	3200	0.15	5.38	6.78	0.27	33.9	
HBB0624HA			Ball	12.0	12.0	0.20	4.80	4500	0.21	7.56	13.40	0.53	41.3
HBB0624MA				12.0	12.0	0.15	3.60	3700	0.18	6.22	9.06	0.36	37.1
HBB0624LA				12.0	12.0	0.11	2.64	3200	0.15	5.38	6.78	0.27	33.9

■ 提示1: 目录首页有功能的详细信息。 Notes1: The catalog have detail information in the front page for the functions.

■ 提示2: 如果您需要列表中的其他转速或电压或功能, 请与我们的业务联系。 Notes2: If you need other speed or voltage or function in the list, please contact our business.



DC-鼓风机风扇

60x60x28mm

马达可选功能列表 (Available Functions)

1. 马达保护 (Motor protection)

AS

2. 信号输出 (Signal output)

FG

RD

3. 调速方式 (Speed control mode)

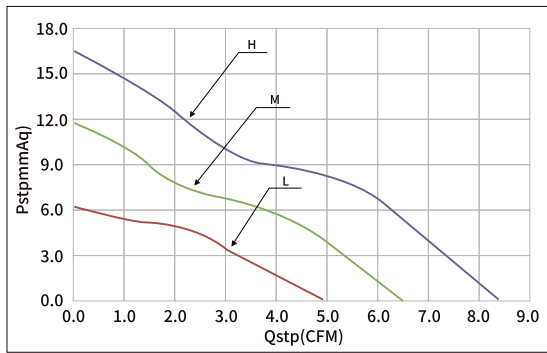
PWM



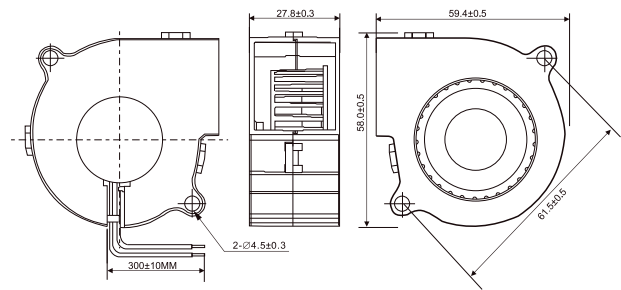
风扇单重: 45g (weight: 45g)



风扇P-Q曲线 / Fan performance curve



尺寸图 / DIMENSIONS DRAWING



Model		Bearing	Rated Voltage	Startup Voltage	Current	Power	Speed	Air Flow		Static Pressure		Noise
型号		轴承	工作电压	启动电压	电流	功率	转速	风量		风压		噪音
Part NO.	Function	System	VDC	VDC	A	W	RPM	M ³ /min	CFM	mmH ₂ O	INH ₂ O	dBA
HBS0612HB		Sleeve	12	5.0	0.20	2.40	5000	0.24	8.41	16.58	0.65	43.6
HBS0612MB				5.0	0.12	1.44	4000	0.18	6.53	11.75	0.46	38.0
HBS0612LB				5.0	0.08	0.96	3000	0.14	4.98	6.23	0.25	31.2
HBB0612HB		Ball		5.0	0.20	2.40	5000	0.24	8.41	16.58	0.65	43.6
HBB0612MB				5.0	0.12	1.44	4000	0.18	6.53	11.75	0.46	38.0
HBB0612LB				5.0	0.08	0.96	3000	0.14	4.98	6.23	0.25	31.2
HBS0624HB		Sleeve	24	12.0	0.12	2.88	5000	0.24	8.41	16.58	0.65	43.6
HBS0624MB				12.0	0.08	1.92	4000	0.18	6.53	11.75	0.46	38.0
HBS0624LB				12.0	0.05	1.20	3000	0.14	4.98	6.23	0.25	31.2
HBB0624HB		Ball		12.0	0.12	2.88	5000	0.24	8.41	16.58	0.65	43.6
HBB0624MB				12.0	0.08	1.92	4000	0.18	6.53	11.75	0.46	38.0
HBB0624LB				12.0	0.05	1.20	3000	0.14	4.98	6.23	0.25	31.2

■ 提示1: 目录首页有功能的详细信息。 Notes1: The catalog have detail information in the front page for the functions.

■ 提示2: 如果您需要列表中的其他转速或电压或功能, 请与我们的业务联系。 Notes2: If you need other speed or voltage or function in the list, please contact our business.



DC BLOWER FAN

DC-鼓风机风扇 75x75x15mm

马达可选功能列表 (Available Functions)

1. 马达保护 (Moto protection)

AS

2. 信号输出 (Signal out put)

FG

RD

3. 调速方式 (Speed control mode)

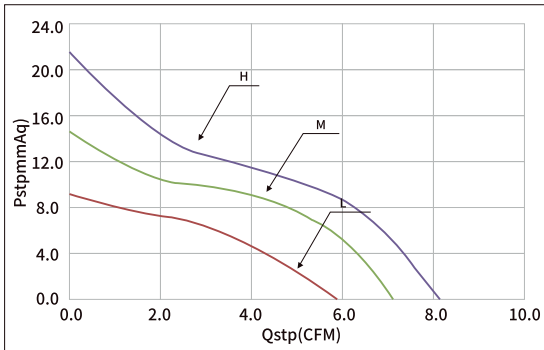
PWM



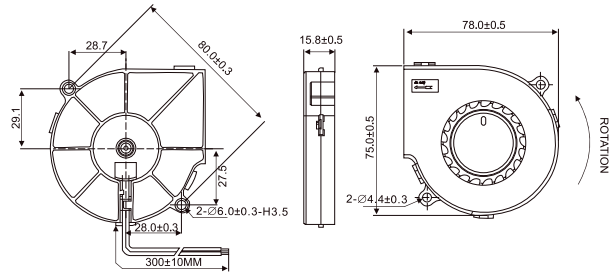
风扇单重: 53g (weight: 53g)

DC BLOWER FAN
鼓风机风扇

风扇P-Q曲线 / Fan performance curve



尺寸图 / DIMENSIONS DRAWING



Model		Bearing	Rated Voltage	Startup Voltage	Current	Power	Speed	Air Flow		Static Pressure		Noise
型号		轴承	工作电压	启动电压	电流	功率	转速	风量		风压		噪音
Part NO.	Function	System	VDC	VDC	A	W	RPM	M ³ /min	CFM	mmH ₂ O	INH ₂ O	dBA
HBS0705HD		Sleeve	5	4.5	0.65	3.25	3800	0.23	8.15	21.56	0.85	40.8
HBS0705MD				4.5	0.45	2.25	3200	0.20	7.14	14.63	0.58	35.7
HBS0705LD				4.5	0.30	1.50	2500	0.17	5.92	9.16	0.36	28.6
HBB0705HD		Ball		4.5	0.65	3.25	3800	0.23	8.15	21.56	0.85	40.8
HBB0705MD				4.5	0.45	2.25	3200	0.20	7.14	14.63	0.58	35.7
HBB0705LD				4.5	0.30	1.50	2500	0.17	5.92	9.16	0.36	28.6
HBS0712HD		Sleeve	12	9.5	0.45	5.40	3800	0.23	8.15	21.56	0.85	40.8
HBS0712MD				9.5	0.23	2.76	3200	0.20	7.14	14.63	0.58	35.7
HBS0712LD				9.5	0.14	1.68	2500	0.17	5.92	9.16	0.36	28.6
HBB0712HD		Ball		9.5	0.45	5.40	3800	0.23	8.15	21.56	0.85	40.8
HBB0712MD				9.5	0.23	2.76	3200	0.20	7.14	14.63	0.58	35.7
HBB0712LD				9.5	0.14	1.68	2500	0.17	5.92	9.16	0.36	28.6

■ 提示1: 目录首页有功能的详细信息。 Notes1: The catalog have detail information in the front page for the functions.

■ 提示2: 如果您需要列表中的其他转速或电压或功能, 请与我们的业务联系。 Notes2: If you need other speed or voltage or function in the list, please contact our business.



DC-鼓风机风扇 75x75x30mm

马达可选功能列表 (Available Functions)

1. 马达保护 (Moto protection)

AS

2. 信号输出 (Signal out put)

FG

RD

3. 调速方式 (Speed control mode)

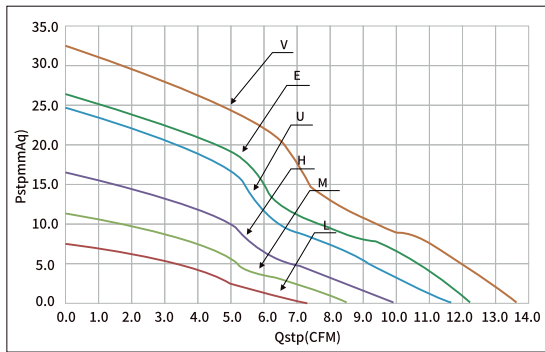
PWM



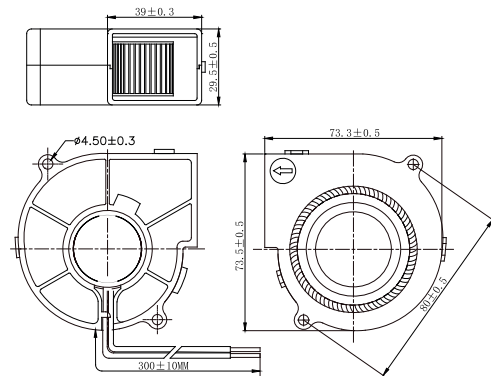
风扇单重: 83g (weight: 83g)



风扇P-Q曲线 / Fan performance curve



尺寸图 / DIMENSIONS DRAWING



Model	Bearing	Rated Voltage	Startup Voltage	Current	Power	Speed	Air Flow	Static Pressure	Noise					
型号	轴承	工作电压	启动电压	电流	功率	转速	风量	风压	噪音					
Part NO.	Function	System	VDC	VDC	A	W	RPM	M ³ /min	CFM	mmH ₂ O	INH ₂ O	dBA		
HBS7512HY	-A	Sleeve	12	5.0	0.18	2.16	3500	0.29	10.08	16.66	0.66	40.6		
HBS7512MY				5.0	0.15	1.80	3000	0.24	8.62	11.41	0.45	37.0		
HBS7512LY				5.0	0.12	1.44	2500	0.21	7.37	7.54	0.30	33.3		
HBB7512VY	-A			5.0	0.43	5.16	5000	0.39	13.68	32.53	1.28	50.0		
HBB7512EY	-A			5.0	0.36	4.32	4500	0.35	12.31	26.35	1.04	47.7		
HBB7512UY	-A			Ball	12	5.0	0.24	2.88	4200	0.33	11.74	24.74	0.97	45.3
HBB7512HY						5.0	0.18	2.16	3500	0.29	10.08	16.66	0.66	40.6
HBB7512MY						5.0	0.15	1.80	3000	0.24	8.62	11.41	0.45	37.0
HBB7512LY						5.0	0.12	1.44	2500	0.21	7.37	7.54	0.30	33.3
HBS7524HY	-A	Sleeve	24	12.0	0.20	4.80	3500	0.29	10.08	16.66	0.66	40.6		
HBS7524MY				12.0	0.12	2.88	3000	0.24	8.62	11.41	0.45	37.0		
HBS7524LY				12.0	0.10	2.40	2500	0.21	7.37	7.54	0.30	33.3		
HBB7524EY	-A			Ball	24	12.0	0.38	9.12	4500	0.35	12.31	26.35	1.04	47.7
HBB7524UY	-A					12.0	0.27	6.48	4200	0.33	11.74	24.74	0.97	45.3
HBB7524HY	-A					12.0	0.20	4.80	3500	0.29	10.08	16.66	0.66	40.6
HBB7524MY						12.0	0.12	2.88	3000	0.24	8.62	11.41	0.45	37.0
HBB7524LY				12.0	0.10	2.40	2500	0.21	7.37	7.54	0.30	33.3		

提示1: 目录首页有功能的详细信息。 Notes1: The catalog have detail information in the front page for the functions.

提示2: 如果您需要列表中的其他转速或电压或功能, 请与我们的业务联系。 Notes2: If you need other speed or voltage or function in the list, please contact our business.



DC BLOWER FAN

DC-鼓风机风扇 97x94x33mm

马达可选功能列表 (Available Functions)

1. 马达保护 (Motor protection)

AS

2. 信号输出 (Signal out put)

FG

RD

3. 调速方式 (Speed control mode)

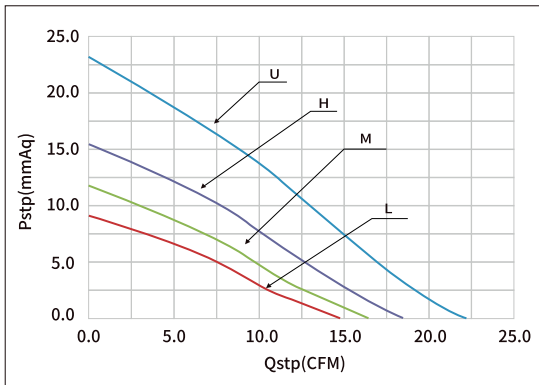
PWM



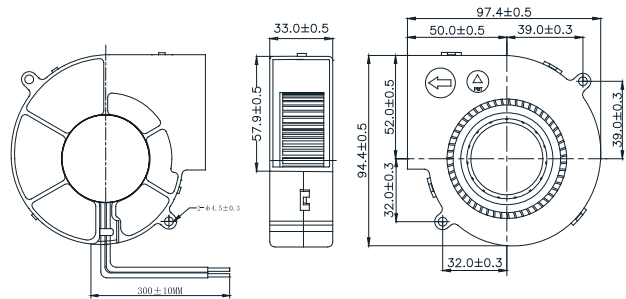
风扇单重:164g (weight:164g)

DC BLOWER FAN
鼓风机风扇

风扇P-Q曲线 / Fan performance curve



尺寸图 / DIMENSIONS DRAWING



Model		Bearing	Rated Voltage	Startup Voltage	Current	Power	Speed	Air Flow		Static Pressure		Noise
型号		轴承	工作电压	启动电压	电流	功率	转速	风量		风压		噪音
Part NO.	Function	System	VDC	VDC	A	W	RPM	M ³ /min	CFM	mmH ₂ O	INH ₂ O	dBA
HBB9712UZ	-A	Ball	12	5.0	1.35	16.20	5000	0.63	22.12	23.03	0.91	54.3
HBB9712HZ	-A			5.0	1.10	13.20	4000	0.52	18.41	15.31	0.60	49.7
HBB9712MZ	-A			5.0	0.90	10.80	3600	0.46	16.30	11.65	0.46	47.0
HBB9712LZ	-A			5.0	0.60	7.20	3200	0.42	14.73	8.99	0.35	43.9
HBB9724UZ	-A	Ball	24	12.0	0.85	20.40	5000	0.63	22.12	23.03	0.91	54.3
HBB9724HZ	-A			12.0	0.60	14.40	4000	0.52	18.41	15.31	0.60	49.7
HBB9724MZ	-A			12.0	0.45	10.80	3600	0.46	16.30	11.65	0.46	47.0
HBB9724LZ	-A			12.0	0.30	7.20	3200	0.42	14.73	8.99	0.35	43.9

提示1: 目录首页有功能的详细信息。 Notes1: The catalog have detail information in the front page for the functions.

提示2: 如果您需要列表中的其他转速或电压或功能, 请与我们的业务联系。 Notes2: If you need other speed or voltage or function in the list, please contact our business.



DC-鼓风机风扇 100x100x25mm

马达可选功能列表 (Available Functions)

1. 马达保护 (Motor protection)

AS

2. 信号输出 (Signal output)

FG

RD

3. 调速方式 (Speed control mode)

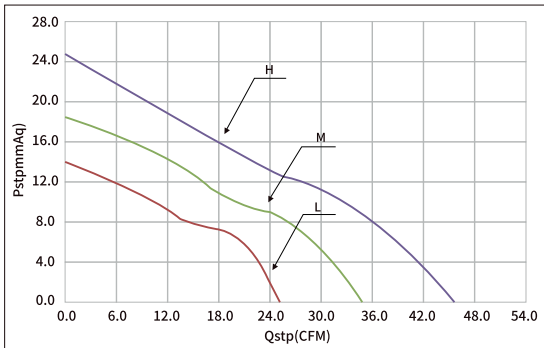
PWM



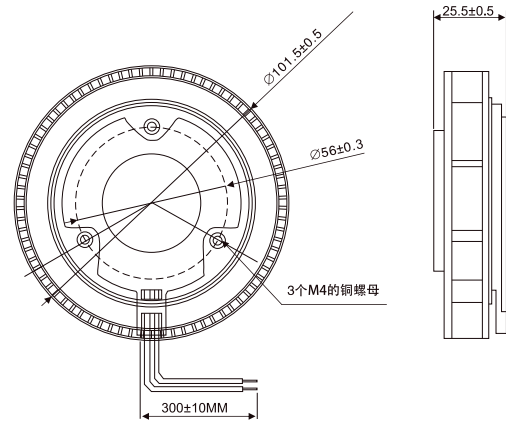
风扇单重: 140g (weight: 140g)



风扇P-Q曲线 / Fan performance curve



尺寸图 / DIMENSIONS DRAWING



Model		Bearing	Rated Voltage	Startup Voltage	Current	Power	Speed	Air Flow		Static Pressure		Noise
型号		轴承	工作电压	启动电压	电流	功率	转速	风量		风压		噪音
Part NO.	Function	System	VDC	VDC	A	W	RPM	M ³ /min	CFM	mmH ₂ O	INH ₂ O	dBA
HDS1005HA		Sleeve	5	4.5	0.53	2.65	4500	1.29	45.65	24.71	0.97	54.8
HDS1005MA				4.5	0.41	2.05	3500	0.99	34.85	18.44	0.73	42.4
HDS1005LA				4.5	0.29	1.45	2500	0.71	25.19	14.16	0.56	30.4
HDB1005HA		Ball		4.5	0.53	2.65	4500	1.29	45.65	24.71	0.97	54.8
HDB1005MA				4.5	0.41	2.05	3500	0.99	34.85	18.44	0.73	42.4
HDB1005LA				4.5	0.29	1.45	2500	0.71	25.19	14.16	0.56	30.4
HDS1012HA		Sleeve	12	9.5	0.27	3.24	4500	1.29	45.65	24.71	0.97	54.8
HDS1012MA				9.5	0.21	2.52	3500	0.99	34.85	18.44	0.73	42.4
HDS1012LA				9.5	0.15	1.80	2500	0.71	25.19	14.16	0.56	30.4
HDB1012HA		Ball		9.5	0.27	3.24	4500	1.29	45.65	24.71	0.97	54.8
HDB1012MA				9.5	0.21	2.52	3500	0.99	34.85	18.44	0.73	42.4
HDB1012LA				9.5	0.15	1.80	2500	0.71	25.19	14.16	0.56	30.4

提示1: 目录首页有功能的详细信息。 Notes1: The catalog have detail information in the front page for the functions.

提示2: 如果您需要列表中的其他转速或电压或功能, 请与我们的业务联系。 Notes2: If you need other speed or voltage or function in the list, please contact our business.



DC BLOWER FAN

DC-鼓风机风扇 120x120x32mm

马达可选功能列表 (Available Functions)

1. 马达保护 (Moto protection)

AS

2. 信号输出 (Signal out put)

FG

RD

3. 调速方式 (Speed control mode)

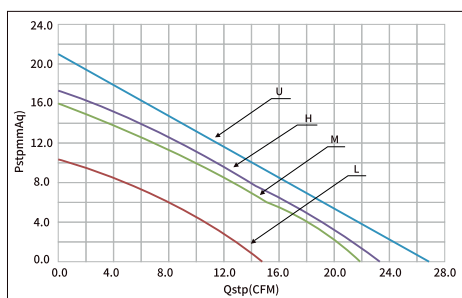
PWM



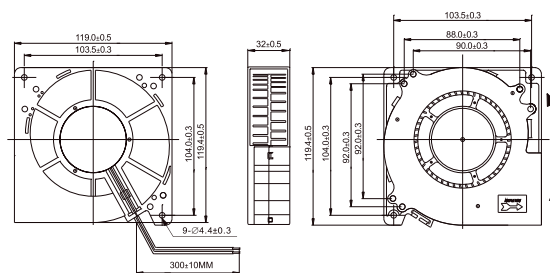
风扇单重: 230g (weight: 230g)

DC BLOWER FAN
鼓风机风扇

风扇P-Q曲线 / Fan performance curve



尺寸图 / DIMENSIONS DRAWING



Model		Bearing	Rated Voltage	Startup Voltage	Current	Power	Speed	Air Flow		Static Pressure		Noise
型号		轴承	工作电压	启动电压	电流	功率	转速	风量		风压		噪音
Part NO.	Function	System	VDC	VDC	A	W	RPM	M ³ /min	CFM	mmH ₂ O	INH ₂ O	dBA
HBS1212HY	-A	Sleeve	12	5.0	1.10	13.20	2800	0.66	23.36	17.29	0.68	48.5
HBS1212MY	-A			5.0	0.85	10.20	2500	0.62	22.05	15.94	0.63	45.9
HBS1212LY	-A			5.0	0.45	5.40	2100	0.42	14.90	10.32	0.41	41.1
HBB1212UY	-A	Ball		5.0	1.40	16.80	3100	0.76	26.91	20.94	0.82	51.2
HBB1212HY	-A			5.0	1.10	13.20	2800	0.66	23.36	17.29	0.68	48.5
HBB1212MY	-A			5.0	0.85	10.20	2500	0.62	22.05	15.94	0.63	45.9
HBB1212LY	-A		5.0	0.45	5.40	2100	0.42	14.90	10.32	0.41	41.1	
HBS1224HY	-A	Sleeve	24	12.0	0.55	13.20	2800	0.66	23.36	17.29	0.68	48.5
HBS1224MY	-A			12.0	0.45	10.80	2500	0.62	22.05	15.94	0.63	45.9
HBS1224LY	-A			12.0	0.30	7.20	2100	0.42	14.90	10.32	0.41	41.1
HBB1224UY	-A	Ball		12.0	0.72	17.28	3100	0.76	26.91	20.94	0.82	51.2
HBB1224HY	-A			12.0	0.55	13.20	2800	0.66	23.36	17.29	0.68	48.5
HBB1224MY	-A			12.0	0.45	10.80	2500	0.62	22.05	15.94	0.63	45.9
HBB1224LY	-A		12.0	0.30	7.20	2100	0.42	14.90	10.32	0.41	41.1	
HBS1248HY	-A	Sleeve	48	24.0	0.35	16.80	2800	0.66	23.36	17.29	0.68	48.5
HBS1248MY	-A			24.0	0.24	11.52	2500	0.62	22.05	15.94	0.63	45.9
HBS1248LY	-A			24.0	0.18	8.64	2100	0.42	14.90	10.32	0.41	41.1
HBB1248HY	-A	Ball		24.0	0.35	16.80	2800	0.66	23.36	17.29	0.68	48.5
HBB1248MY	-A			24.0	0.24	11.52	2500	0.62	22.05	15.94	0.63	45.9
HBB1248LY	-A			24.0	0.18	8.64	2100	0.42	14.90	10.32	0.41	41.1

提示1: 目录首页有功能的详细信息。 Notes1: The catalog have detail information in the front page for the functions.

提示2: 如果您需要列表中的其他转速或电压或功能, 请与我们的业务联系。 Notes2: If you need other speed or voltage or function in the list, please contact our business.



DC-鼓风机风扇

146x136x40mm

马达可选功能列表 (Available Functions)

1. 马达保护 (Motor protection)

AS

2. 信号输出 (Signal out put)

FG

RD

3. 调速方式 (Speed control mode)

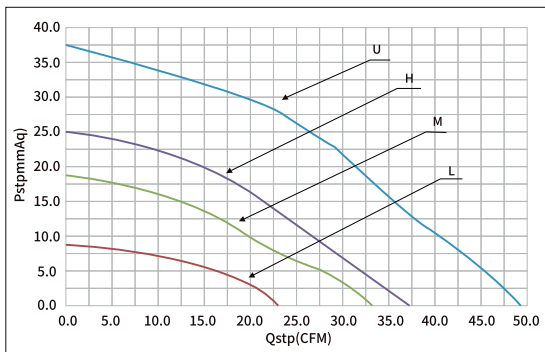
PWM



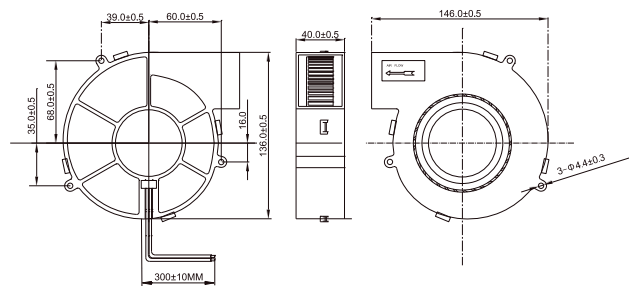
风扇单重: 353g (weight: 353g)



风扇P-Q曲线 / Fan performance curve



尺寸图 / DIMENSIONS DRAWING



Model		Bearing	Rated Voltage	Startup Voltage	Current	Power	Speed	Air Flow		Static Pressure		Noise	
型号		轴承	工作电压	启动电压	电流	功率	转速	风量		风压		噪音	
Part NO.	Function	System	VDC	VDC	A	W	RPM	M ³ /min	CFM	mmH ₂ O	INH ₂ O	dB(A)	
HBS1412HF	-A	Sleeve	12	5.0	1.20	14.40	2800	1.40	49.47	37.10	1.46	57.3	
HBS1412MF	-A			5.0	0.90	10.80	2500	1.06	37.37	24.97	0.98	56.3	
HBS1412LF	-A			5.0	0.55	6.60	2200	0.94	33.36	18.84	0.74	53.0	
HBS1412LF	-A			5.0	0.18	2.16	1400	0.66	23.15	8.57	0.34	41.7	
HBB1412HF	-A	Ball		12	5.0	1.20	14.40	2800	1.40	49.47	37.10	1.46	57.3
HBB1412MF	-A				5.0	0.90	10.80	2500	1.06	37.37	24.97	0.98	56.3
HBB1412LF	-A				5.0	0.55	6.60	2200	0.94	33.36	18.84	0.74	53.0
HBB1412LF	-A				5.0	0.18	2.16	1400	0.66	23.15	8.57	0.34	41.7
HBS1424HF	-A	Sleeve	24		12.0	0.70	16.80	2800	1.40	49.47	37.10	1.46	57.3
HBS1424MF	-A				12.0	0.55	13.20	2500	1.06	37.37	24.97	0.98	56.3
HBS1424LF	-A				12.0	0.40	9.60	2200	0.94	33.36	18.84	0.74	53.0
HBS1424LF	-A				12.0	0.10	2.40	1400	0.66	23.15	8.57	0.34	41.7
HBB1424HF	-A	Ball		24	12.0	0.70	16.80	2800	1.40	49.47	37.10	1.46	57.3
HBB1424MF	-A				12.0	0.55	13.20	2500	1.06	37.37	24.97	0.98	56.3
HBB1424LF	-A				12.0	0.40	9.60	2200	0.94	33.36	18.84	0.74	53.0
HBB1424LF	-A				12.0	0.10	2.40	1400	0.66	23.15	8.57	0.34	41.7

提示1: 目录首页有功能的详细信息。 Notes1: The catalog have detail information in the front page for the functions.

提示2: 如果您需要列表中的其他转速或电压或功能, 请与我们的业务联系。 Notes2: If you need other speed or voltage or function in the list, please contact our business.

17×17×3.2 Blower

■ General Specifications (普通规格)

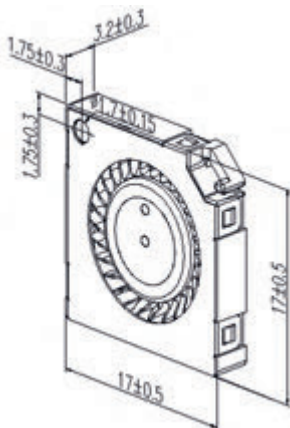


- **Material (材料):**
Frame And Impeller: Plastic UL 94V-0 / SUS
底座和扇叶: 塑胶 (UL 94V-0) / SUS
- **Lead Wires (导线): UL Type (UL类型)**
RED Wire Positive(+) 红色线 正极
Black Wire Negative() 黑色线 负极
- **Insulation Resistance: 10M Ω Or Over With a DC250V Megger**
绝缘阻抗: 10MΩ 或者高于DC250V
- **Dielectric Withstand Voltage: AC500V 1S**
耐压测试: AC500V 1S
- **Allowable Ambient Temperature Range:**
环境温度范围:
-10°C ~ +70°C (Operating) 工作温度
-40°C ~ +70°C (Storage) 存储温度

MODEL 型号	BEARING TYPE 轴承类型	Rated Voltage 额定电压	Operating Voltage 工作电压	Rated Current 额定电流	Rated Input power 额定功率	Speed 转速	Maximum Air Flow 最大风量		Maximum Air Pressure 最大风压		Noise/Distance 噪音/距离	
		VDC	VDC	AMP	WATT	RPM	M ³ /Min	CFM	mmH ₂ O	INH ₂ O	dB (A)	m
17×17×3.2	HDB	3	2.2~3.5	0.06	0.18	12000	0.007	0.24	4.8	0.187	29.0	0.3

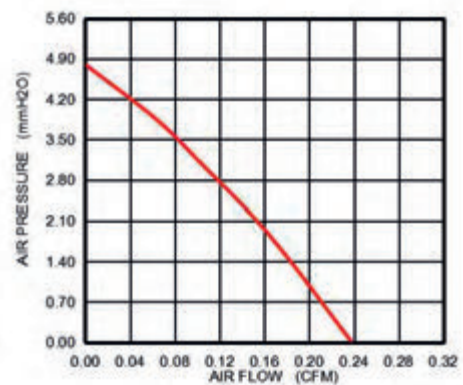
- * Signal type is optional. 信号输出类型可以选择的
- * The MAX. air flow & the speed are measured in free air ; MAX. air pressure is measured at zero air flow.
在正常气压下测试风扇最大风量以及转速, 在无流量条件下测试风扇最大风压
- * All readings are typical values at rated voltage. 所有常规数值都是在额定电压下完成的;
- * SPEC. are subject to change without notice. 规格如果变更, 将另行通知

■ DIMENSIONS DRAWING (外观图)



Unit: mm

■ P&Q CURVE (AT RATED VOLTAGE)



20×20×3.2 Blower

General Specifications (普通规格)

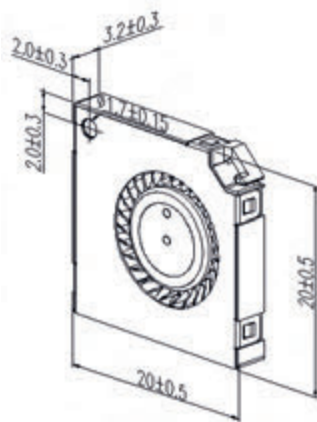


- **Material (材料):**
Frame And Impeller: Plastic UL 94V-0 / SUS
底座和扇叶: 塑胶 (UL 94V-0) / SUS
- **Lead Wires (导线): UL Type (UL类型)**
RED Wire Positive(+) 红色线 正极
Black Wire Negative() 黑色线 负极
- **Insulation Resistance: 10M Ω Or Over With a DC250V Megger**
绝缘阻抗: 10MΩ 或者高于DC250V
- **Dielectric Withstand Voltage: AC500V 1S**
耐压测试: AC500V 1S
- **Allowable Ambient Temperature Range:**
环境温度范围:
-10℃~+70℃ (Operating) 工作温度
-40℃~+70℃ (Storage) 存储温度

MODEL 型号	BEARING TYPE 轴承类型	Rated Voltage 额定电压	Operating Voltage 工作电压	Rated Current 额定电流	Rated Input power 额定功率	Speed 转速	Maximum Air Flow 最大风量		Maximum Air Pressure 最大风压		Noise/Distance 噪音/距离	
		VDC	VDC	AMP	WATT	RPM	M ³ /Min	CFM	mmH ₂ O	INH ₂ O	dB (A)	m
20×20×3.2	HDB	3	2.2~3.5	0.06	0.18	11000	0.009	0.33	4.8	0.187	26.9	0.3

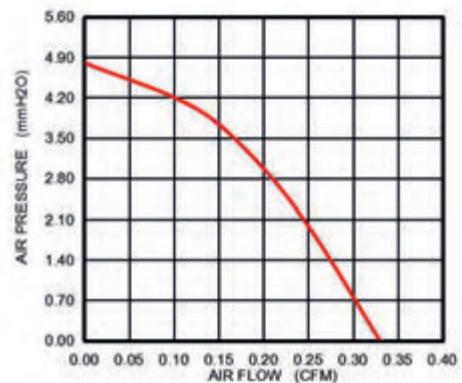
- * Signal type is optional. 信号输出类型可以选择的
- * The MAX. air flow & the speed are measured in free air ; MAX. air pressure is measured at zero air flow.
在正常气压下测试风扇最大风量以及转速, 在无流量条件下测试风扇最大风压
- * All readings are typical values at rated voltage. 所有常规数值都是在额定电压下完成的;
- * SPEC. are subject to change without notice. 规格如果变更, 将另行通知

DIMENSIONS DRAWING (外观图)



Unit: mm

P&Q CURVE (AT RATED VOLTAGE)



30×30×3.2 Blower

General Specifications (普通规格)

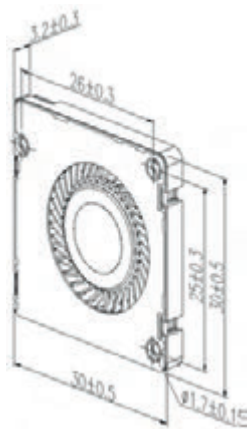


- **Material (材料) :**
Frame And Impeller: Plastic UL 94V-0 / SUS
底座和扇叶: 塑胶 (UL 94V-0) / SUS
- **Lead Wires (导线) :UL Type (UL类型)**
RED Wire Positive(+) 红色线 正极
Black Wire Negative(黑色线 负极
- **Insulation Resistance:10M Ω Or Over With a DC250V Megger**
绝缘阻抗: 10MΩ 或者高于DC250V
- **Dielectric Withstand Voltage:AC500V 1S**
耐压测试: AC500V 1S
- **Allowable Ambient Temperature Range:**
环境温度范围:
-10℃~+70℃ (Operating) 工作温度
-40℃~+70℃ (Storage) 存储温度

MODEL 型号	BEARING TYPE 轴承类型	Rated Voltage 额定电压	Operating Voltage 工作电压	Rated Current 额定电流	Rated Input power 额定功率	Speed 转速	Maximum Air Flow 最大风量		Maximum Air Pressure 最大风压		Noise/Distance 噪音/距离	
		VDC	VDC	AMP	WATT	RPM	M ³ /Min	CFM	mmH ₂ O	INH ₂ O	dB (A)	m
30×30×3.2	HDB	5	3.5~5.5	0.1	0.5	9500	0.020	0.7	8.7	0.339	34.1	0.3

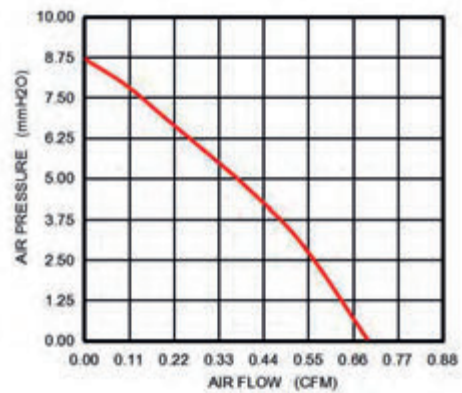
* Signal type is optional. 信号输出类型可以选择的
 * The MAX. air flow & the speed are measured in free air ; MAX.air pressure is measured at zero air flow.
 在正常气压下测试风扇最大风压以及转速, 在无流量条件下测试风扇最大风压
 * All readings are typical values at rated voltage. 所有常规数值都是在额定电压下完成的;
 * SPEC. are subject to change without notice. 规格如果变更, 将另行通知

DIMENSIONS DRAWING (外观图)



Unit: mm

P&Q CURVE (AT RATED VOLTAGE)



30×30×4

Blower

General Specifications (普通规格)

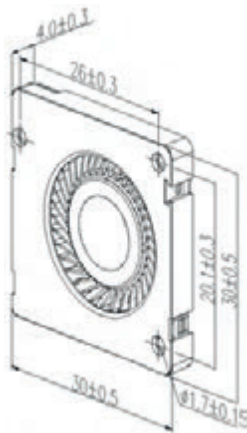


- **Material (材料) :**
Frame And Impeller: Plastic UL 94V-0 / SUS
底座和扇叶: 塑胶 (UL 94V-0) / SUS
- **Lead Wires (导线) :UL Type (UL类型)**
RED Wire Positive(+) 红色线 正极
Black Wire Negative(黑色线 负极
- **Insulation Resistance:10M Ω Or Over With a DC250V Megger**
绝缘阻抗: 10MΩ 或者高于DC250V
- **Dielectric Withstand Voltage:AC500V 1S**
耐压测试: AC500V 1S
- **Allowable Ambient Temperature Range:**
环境温度范围:
-10℃~+70℃ (Operating) 工作温度
-40℃~+70℃ (Storage) 存储温度

MODEL 型号	BEARING TYPE 轴承类型	Rated Voltage 额定电压	Operating Voltage 工作电压	Rated Current 额定电流	Rated Input power 额定功率	Speed 转速	Maximum Air Flow 最大风量		Maximum Air Pressure 最大风压		Noise/Distance 噪音/距离	
		VDC	VDC	AMP	WATT	RPM	M ³ /Min	CFM	mmH ₂ O	INH ₂ O	dB (A)	m
30×30×4	HDB	5	3.5~5.5	0.1	0.5	9500	0.021	0.76	8.8	0.343	31.3	0.3

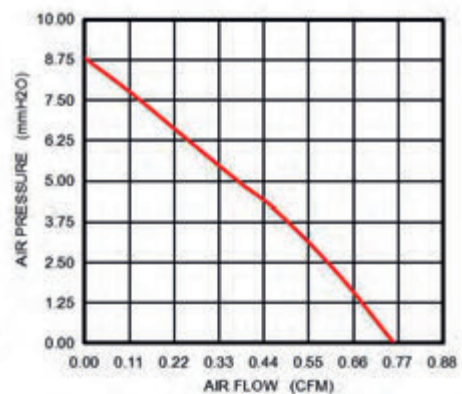
* Signal type is optional. 信号输出类型可以选择的
 * The MAX. air flow & the speed are measured in free air ; MAX.air pressure is measured at zero air flow.
 在正常气压下测试风扇最大风压以及转速, 在无流量条件下测试风扇最大风压
 * All readings are typical values at rated voltage. 所有常规数值都是在额定电压下完成的;
 * SPEC. are subject to change without notice. 规格如果变更, 将另行通知

DIMENSIONS DRAWING (外观图)



Unit: mm

P&Q CURVE (AT RATED VOLTAGE)



30×30×10

Blower

■ General Specifications (普通规格)

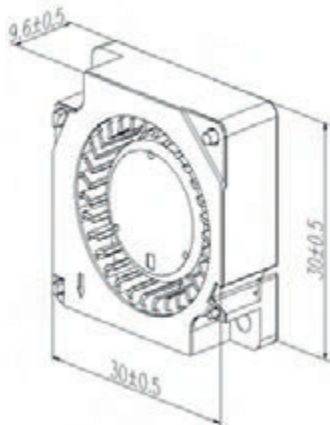


- **Material (材料) :**
Frame And Impeller: Plastic UL 94V-0 / SECC
底座和扇叶: 塑胶 (UL 94V-0) / SECC
- **Lead Wires (导线) :UL Type (UL类型)**
RED Wire Positive(+) 红色线 正极
Black Wire Negative(黑色线 负极
- **Insulation Resistance:10M Ω Or Over With a DC250V Megger**
绝缘阻抗: 10MΩ 或者高于DC250V
- **Dielectric Withstand Voltage:AC500V 1S**
耐压测试: AC500V 1S
- **Allowable Ambient Temperature Range:**
环境温度范围:
-10℃~+70℃ (Operating) 工作温度
-40℃~+70℃ (Storage) 存储温度

MODEL 型号	BEARING TYPE 轴承类型	Rated Voltage 额定电压	Operating Voltage 工作电压	Rated Current 额定电流	Rated Input power 额定功率	Speed 转速	Maximum Air Flow 最大风量		Maximum Air Pressure 最大风压		Noise/Distance 噪音/距离	
		VDC	VDC	AMP	WATT	RPM	M ³ /Min	CFM	mmH ₂ O	INH ₂ O	dB (A)	m
30×30×10	HDB	5	3.5~5.5	0.12	0.6	7000	0.033	1.19	6.20	0.242	33.5	0.5

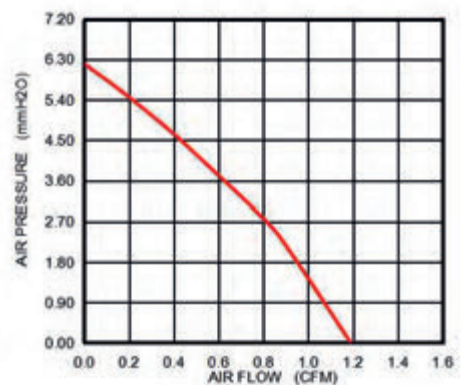
- * Signal type is optional. 信号输出类型可以选择的
- * The MAX. air flow & the speed are measured in free air ; MAX.air pressure is measured at zero air flow.
在正常气压下测试风扇最大风压以及转速, 在无流量条件下测试风扇最大风压
- * All readings are typical values at rated voltage. 所有常规数值都是在额定电压下完成的;
- * SPEC. are subject to change without notice. 规格如果变更, 将另行通知

■ DIMENSIONS DRAWING (外观图)



Unit: mm

■ P&Q CURVE (AT RATED VOLTAGE)



55×49.5×5.0 Blower

General Specifications (普通规格)

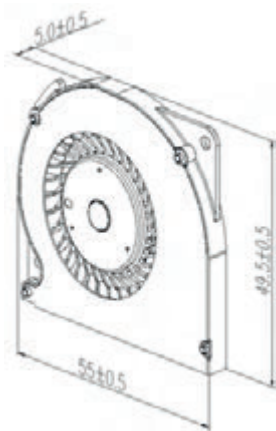


- **Material (材料):**
Frame And Impeller: Plastic UL 94V-0 / SECC
底座和扇叶: 塑胶 (UL 94V-0) / SECC
- **Lead Wires (导线): UL Type (UL类型)**
RED Wire Positive(+) 红色线 正极
Black Wire Negative(黑色线 负极
- **Insulation Resistance: 10M Ω Or Over With a DC250V Megger**
绝缘阻抗: 10MΩ 或者高于DC250V
- **Dielectric Withstand Voltage: AC500V 1S**
耐压测试: AC500V 1S
- **Allowable Ambient Temperature Range:**
环境温度范围:
-10℃~+70℃ (Operating) 工作温度
-40℃~+70℃ (Storage) 存储温度

MODEL 型号	BEARING TYPE 轴承类型	Rated Voltage 额定电压	Operating Voltage 工作电压	Rated Current 额定电流	Rated Input power 额定功率	Speed 转速	Maximum Air Flow 最大风量		Maximum Air Pressure 最大风压		Noise/Distance 噪音/距离	
		VDC	VDC	AMP	WATT	RPM	M ³ /Min	CFM	mmH ₂ O	INH ₂ O	dB (A)	m
55×49.5×5.0	HDB	5	3.5~5.5	0.28	1.4	5200	0.062	2.2	10.60	0.417	32.8	0.5

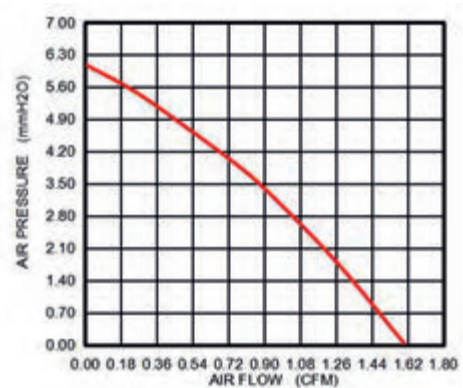
- * Signal type is optional. 信号输出类型可以选择的
- * The MAX. air flow & the speed are measured in free air ; MAX. air pressure is measured at zero air flow.
在正常气压下测试风扇最大风压以及转速, 在无流量条件下测试风扇最大风压
- * All readings are typical values at rated voltage. 所有常规数值都是在额定电压下完成的;
- * SPEC. are subject to change without notice. 规格如果变更, 将另行通知

DIMENSIONS DRAWING (外观图)



Unit: mm

P&Q CURVE (AT RATED VOLTAGE)



59.3 × 55.6 × 5.6 Blower

General Specifications (普通规格)

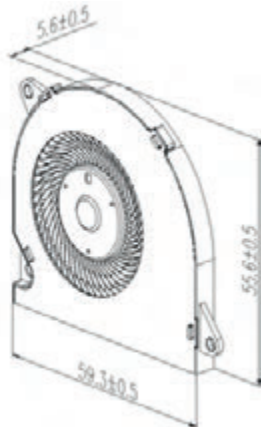


- **Material (材料):**
Frame And Impeller: Plastic UL 94V-0 / SGCC
底座和扇叶: 塑胶 (UL 94V-0) / SGCC
- **Lead Wires (导线): UL Type (UL类型)**
RED Wire Positive(+) 红色线 正极
Black Wire Negative(黑色线 负极
- **Insulation Resistance: 10M Ω Or Over With a DC250V Megger**
绝缘阻抗: 10MΩ 或者高于DC250V
- **Dielectric Withstand Voltage: AC500V 1S**
耐压测试: AC500V 1S
- **Allowable Ambient Temperature Range:**
环境温度范围:
-10°C ~ +70°C (Operating) 工作温度
-40°C ~ +70°C (Storage) 存储温度

MODEL 型号	BEARING TYPE 轴承类型	Rated Voltage 额定电压	Operating Voltage 工作电压	Rated Current 额定电流	Rated Input power 额定功率	Speed 转速	Maximum Air Flow 最大风量		Maximum Air Pressure 最大风压		Noise/Distance 噪音/距离	
		VDC	VDC	AMP	WATT	RPM	M ³ /Min	CFM	mmH ₂ O	INH ₂ O	dB (A)	m
59.3 × 55.6 × 5.6	HDB	5	3.5 ~ 5.5	0.38	1.9	6700	0.095	3.4	18.34	0.715	41.1	0.5

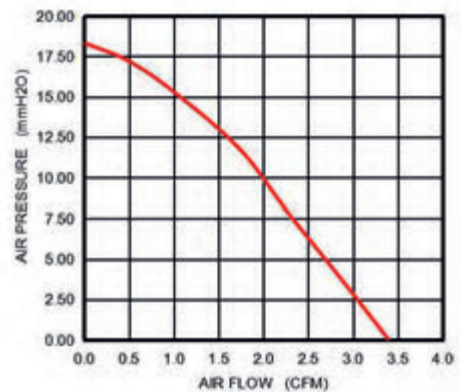
- * Signal type is optional. 信号输出类型可以选择的
- * The MAX. air flow & the speed are measured in free air ; MAX. air pressure is measured at zero air flow.
在正常气压下测试风扇最大风压以及转速, 在无流量条件下测试风扇最大风压
- * All readings are typical values at rated voltage. 所有常规数值都是在额定电压下完成的;
- * SPEC. are subject to change without notice. 规格如果变更, 将另行通知

DIMENSIONS DRAWING (外观图)



Unit: mm

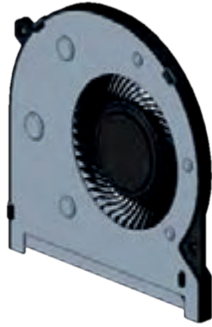
P&Q CURVE (AT RATED VOLTAGE)



63×63×4.0

Blower

■ General Specifications (普通规格)

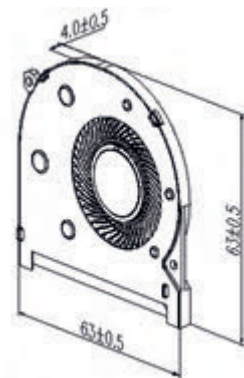


- **Material (材料) :**
Frame And Impeller: Plastic UL 94V-0 / SECC
底座和扇叶: 塑胶 (UL 94V-0) / SECC
- **Lead Wires (导线) :UL Type (UL类型)**
RED Wire Positive(+) 红色线 正极
Black Wire Negative(黑色线 负极
- **Insulation Resistance:10M Ω Or Over With a DC250V Megger**
绝缘阻抗: 10MΩ 或者高于DC250V
- **Dielectric Withstand Voltage:AC500V 1S**
耐压测试: AC500V 1S
- **Allowable Ambient Temperature Range:**
环境温度范围:
-10℃~+70℃ (Operating) 工作温度
-40℃~+70℃ (Storage) 存储温度

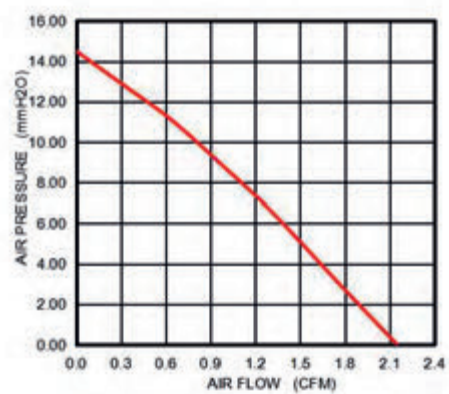
MODEL 型号	BEARING TYPE 轴承类型	Rated Voltage 额定电压	Operating Voltage 工作电压	Rated Current 额定电流	Rated Input power 额定功率	Speed 转速	Maximum Air Flow 最大风量		Maximum Air Pressure 最大风压		Noise/Distance 噪音/距离	
		VDC	VDC	AMP	WATT	RPM	M ³ /Min	CFM	mmH ₂ O	INH ₂ O	dB (A)	m
63×63×4.0	HDB	5	3.5~5.5	0.4	2	5700	0.060	2.15	14.5	0.566	35.0	0.5

- * Signal type is optional. 信号输出类型可以选择的
- * The MAX. air flow & the speed are measured in free air ; MAX.air pressure is measured at zero air flow.
在正常气压下测试风扇最大风压以及转速, 在无流量条件下测试风扇最大风压
- * All readings are typical values at rated voltage. 所有常规数值都是在额定电压下完成的;
- * SPEC. are subject to change without notice. 规格如果变更, 将另行通知

■ DIMENSIONS DRAWING (外观图)



■ P&Q CURVE (AT RATED VOLTAGE)

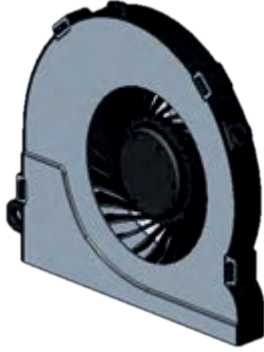


Unit: mm

70×64.3×8.5

Blower

General Specifications (普通规格)

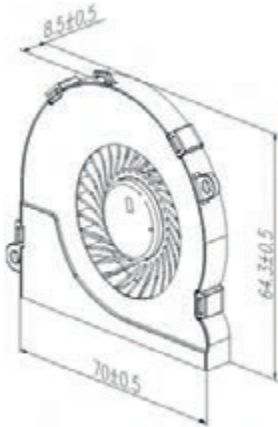


- **Material (材料):**
Frame And Impeller: Plastic UL 94V-0 / SECC
底座和扇叶: 塑胶 (UL 94V-0) / SECC
- **Lead Wires (导线): UL Type (UL类型)**
RED Wire Positive(+) 红色线 正极
Black Wire Negative() 黑色线 负极
- **Insulation Resistance: 10M Ω Or Over With a DC250V Megger**
绝缘阻抗: 10MΩ 或者高于DC250V
- **Dielectric Withstand Voltage: AC500V 1S**
耐压测试: AC500V 1S
- **Allowable Ambient Temperature Range:**
环境温度范围:
-10°C ~ +70°C (Operating) 工作温度
-40°C ~ +70°C (Storage) 存储温度

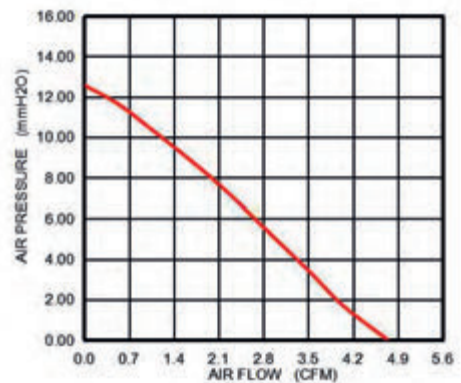
MODEL 型号	BEARING TYPE 轴承类型	Rated Voltage 额定电压	Operating Voltage 工作电压	Rated Current 额定电流	Rated Input power 额定功率	Speed 转速	Maximum Air Flow 最大风量		Maximum Air Pressure 最大风压		Noise/Distance 噪音/距离	
		VDC	VDC	AMP	WATT	RPM	M ³ /Min	CFM	mmH ₂ O	INH ₂ O	dB (A)	m
70×64.3×8.5	HDB	5	3.5~5.5	0.4	2	4350	0.133	4.74	12.57	0.495	35.1	0.5

- * Signal type is optional. 信号输出类型可以选择的
- * The MAX. air flow & the speed are measured in free air ; MAX. air pressure is measured at zero air flow.
在正常气压下测试风扇最大风压以及转速, 在无流量条件下测试风扇最大风压
- * All readings are typical values at rated voltage. 所有常规数值都是在额定电压下完成的;
- * SPEC. are subject to change without notice. 规格如果变更, 将另行通知

DIMENSIONS DRAWING (外观图)



P&Q CURVE (AT RATED VOLTAGE)



Unit: mm

55×51.4×4.8

Blower

General Specifications (普通规格)

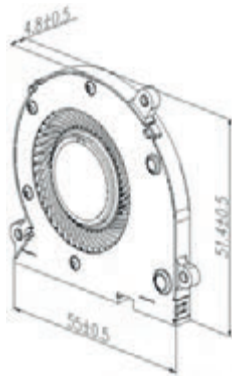


- **Material (材料):**
Frame And Impeller: Plastic UL 94V-0 / SECC
底座和扇叶: 塑胶 (UL 94V-0) / SECC
- **Lead Wires (导线): UL Type (UL类型)**
RED Wire Positive(+) 红色线 正极
Black Wire Negative() 黑色线 负极
- **Insulation Resistance: 10M Ω Or Over With a DC250V Megger**
绝缘阻抗: 10MΩ 或者高于DC250V
- **Dielectric Withstand Voltage: AC500V 1S**
耐压测试: AC500V 1S
- **Allowable Ambient Temperature Range:**
环境温度范围:
-10℃~+70℃ (Operating) 工作温度
-40℃~+70℃ (Storage) 存储温度

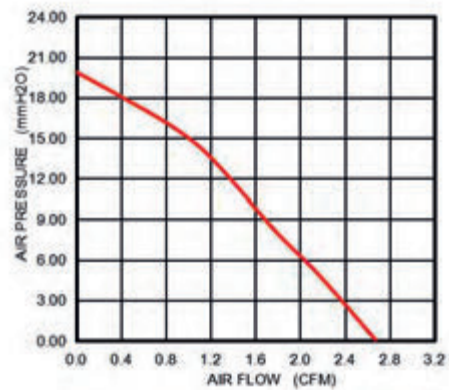
MODEL 型号	BEARING TYPE 轴承类型	Rated Voltage 额定电压	Operating Voltage 工作电压	Rated Current 额定电流	Rated Input power 额定功率	Speed 转速	Maximum Air Flow 最大风量		Maximum Air Pressure 最大风压		Noise/Distance 噪音/距离	
		VDC	VDC	AMP	WATT	RPM	M ³ /Min	CFM	mmH ₂ O	INH ₂ O	dB (A)	m
55×51.4×4.8	HDB	5	3.5~5.5	0.38	1.9	7400	0.075	2.68	19.90	0.776	42.8	0.5

- * Signal type is optional. 信号输出类型可以选择的
- * The MAX. air flow & the speed are measured in free air ; MAX. air pressure is measured at zero air flow.
在正常气压下测试风扇最大风压以及转速, 在无流量条件下测试风扇最大风压
- * All readings are typical values at rated voltage. 所有常规数值都是在额定电压下完成的;
- * SPEC. are subject to change without notice. 规格如果变更, 将另行通知

DIMENSIONS DRAWING (外观图)



P&Q CURVE (AT RATED VOLTAGE)



Unit: mm

75.7×72.7×3.5 Blower



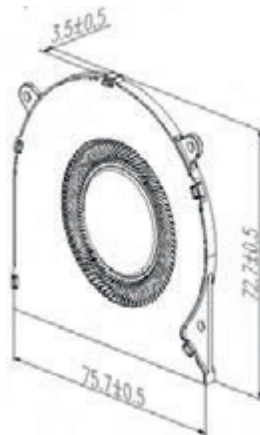
General Specifications (普通规格)

- **Material (材料):**
Frame And Impeller: Plastic UL 94V-0
底座和扇叶: 塑胶 (UL 94V-0)
- **Lead Wires (导线): UL Type (UL类型)**
RED Wire Positive(+) 红色线 正极
Black Wire Negative(黑色线 负极)
- **Insulation Resistance: 10M Ω Or Over With a DC250V Megger**
绝缘阻抗: 10MΩ 或者高于DC250V
- **Dielectric Withstand Voltage: AC500V 1S**
耐压测试: AC500V 1S
- **Allowable Ambient Temperature Range:**
环境温度范围:
-10°C ~ +70°C (Operating) 工作温度
-40°C ~ +70°C (Storage) 存储温度

MODEL 型号	BEARING TYPE 轴承类型	Rated Voltage 额定电压	Operating Voltage 工作电压	Rated Current 额定电流	Rated Input power 额定功率	Speed 转速	Maximum Air Flow 最大风量		Maximum Air Pressure 最大风压		Noise/Distance 噪音/距离	
		VDC	VDC	AMP	WATT	RPM	M ³ /Min	CFM	mmH ₂ O	INH ₂ O	dB (A)	m
75.7×72.7×3.5	HDB	5	3.5-5.5	0.27	1.35	5200	0.059	2.1	10	0.390	30.6	0.5

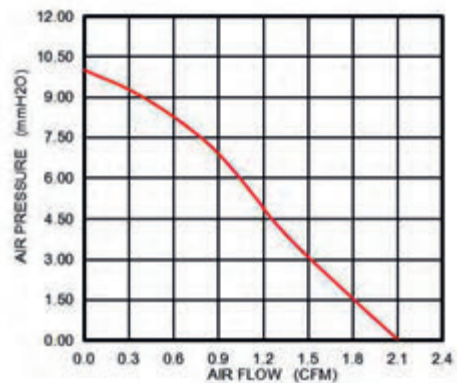
- * Signal type is optional. 信号输出类型可以选择的
- * The MAX. air flow & the speed are measured in free air ; MAX. air pressure is measured at zero air flow.
在正常气压下测试风扇最大风压以及转速, 在无流量条件下测试风扇最大风压
- * All readings are typical values at rated voltage. 所有常规数值都是在额定电压下完成的;
- * SPEC. are subject to change without notice. 规格如果变更, 将另行通知

DIMENSIONS DRAWING (外观图)



Unit: mm

P&Q CURVE (AT RATED VOLTAGE)



74.5×72×7.0 Blower

General Specifications (普通规格)

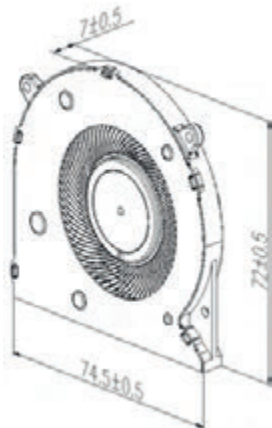


- **Material (材料):**
Frame And Impeller: Plastic UL 94V-0 / SGCC
底座和扇叶: 塑胶 (UL 94V-0) / SGCC
- **Lead Wires (导线): UL Type (UL类型)**
RED Wire Positive(+) 红色线 正极
Black Wire Negative() 黑色线 负极
- **Insulation Resistance: 10M Ω Or Over With a DC250V Megger**
绝缘阻抗: 10MΩ 或者高于DC250V
- **Dielectric Withstand Voltage: AC500V 1S**
耐压测试: AC500V 1S
- **Allowable Ambient Temperature Range:**
环境温度范围:
-10°C ~ +70°C (Operating) 工作温度
-40°C ~ +70°C (Storage) 存储温度

MODEL 型号	BEARING TYPE 轴承类型	Rated Voltage 额定电压	Operating Voltage 工作电压	Rated Current 额定电流	Rated Input power 额定功率	Speed 转速	Maximum Air Flow 最大风量		Maximum Air Pressure 最大风压		Noise/Distance 噪音/距离	
		VDC	VDC	AMP	WATT	RPM	M ³ /Min	CFM	mmH ₂ O	INH ₂ O	dB(A)	m
74.5×72×7.0	HDB	5	3.5~5.5	0.45	2.25	4500	0.150	5.36	19.13	0.746	42.6	0.5

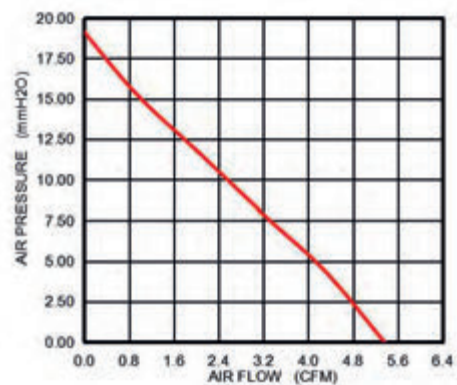
- * Signal type is optional. 信号输出类型可以选择的
- * The MAX. air flow & the speed are measured in free air ; MAX. air pressure is measured at zero air flow.
在正常气压下测试风扇最大风压以及转速, 在无流量条件下测试风扇最大风压
- * All readings are typical values at rated voltage. 所有常规数值都是在额定电压下完成的;
- * SPEC. are subject to change without notice. 规格如果变更, 将另行通知

DIMENSIONS DRAWING (外观图)



Unit: mm

P&Q CURVE (AT RATED VOLTAGE)



79.3×69.8×5 Blower

General Specifications (普通规格)

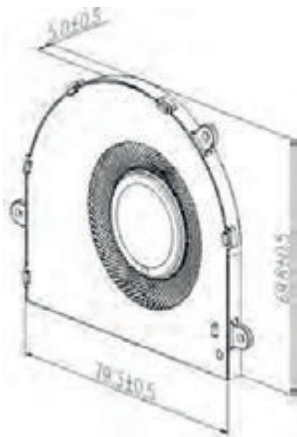


- **Material (材料):**
Frame And Impeller: Plastic UL 94V-0 / SGCC
底座和扇叶: 塑胶 (UL 94V-0) / SGCC
- **Lead Wires (导线): UL Type (UL类型)**
RED Wire Positive(+) 红色线 正极
Black Wire Negative() 黑色线 负极
- **Insulation Resistance: 10M Ω Or Over With a DC250V Megger**
绝缘阻抗: 10MΩ 或者高于DC250V
- **Dielectric Withstand Voltage: AC500V 1S**
耐压测试: AC500V 1S
- **Allowable Ambient Temperature Range:**
环境温度范围:
-10°C ~ +70°C (Operating) 工作温度
-40°C ~ +70°C (Storage) 存储温度

MODEL 型号	BEARING TYPE 轴承类型	Rated Voltage 额定电压	Operating Voltage 工作电压	Rated Current 额定电流	Rated Input power 额定功率	Speed 转速	Maximum Air Flow 最大风量		Maximum Air Pressure 最大风压		Noise/Distance 噪音/距离	
		VDC	VDC	AMP	WATT	RPM	M ³ /Min	CFM	mmH ₂ O	INH ₂ O	dB(A)	m
79.3×69.8×5.0	HDB	5	3.5~5.5	0.4	2	4500	0.093	4.1	15	0.591	38.2	0.5

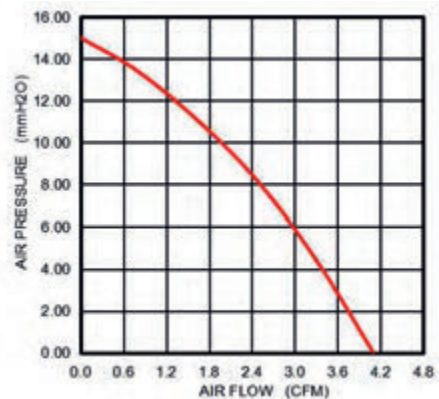
- * Signal type is optional. 信号输出类型可以选择的
- * The MAX. air flow & the speed are measured in free air ; MAX. air pressure is measured at zero air flow.
在正常气压下测试风扇最大风压以及转速, 在无流量条件下测试风扇最大风压
- * All readings are typical values at rated voltage. 所有常规数值都是在额定电压下完成的;
- * SPEC. are subject to change without notice. 规格如果变更, 将另行通知

DIMENSIONS DRAWING (外观图)



Unit: mm

P&Q CURVE (AT RATED VOLTAGE)



83.85×75.6×28 Blower



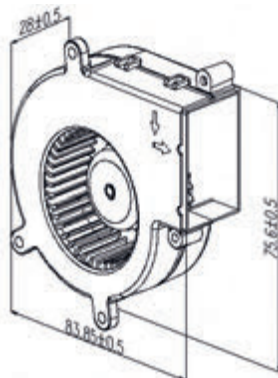
General Specifications (普通规格)

- **Material (材料) :**
Frame And Impeller: Plastic UL 94V-0 / SECC
底座和扇叶: 塑胶 (UL 94V-0) / SECC
- **Lead Wires (导线) :UL Type (UL类型)**
RED Wire Positive(+) 红色线 正极
Black Wire Negative(黑色线 负极
- **Insulation Resistance:10M Ω Or Over With a DC250V Megger**
绝缘阻抗: 10MΩ 或者高于DC250V
- **Dielectric Withstand Voltage:AC500V 1S**
耐压测试: AC500V 1S
- **Allowable Ambient Temperature Range:**
环境温度范围:
-10℃~+70℃ (Operating) 工作温度
-40℃~+70℃ (Storage) 存储温度

MODEL 型号	BEARING TYPE 轴承类型	Rated Voltage 额定电压	Operating Voltage 工作电压	Rated Current 额定电流	Rated Input power 额定功率	Speed 转速	Maximum Air Flow 最大风量		Maximum Air Pressure 最大风压		Noise/Distance 噪音/距离	
		VDC	VDC	AMP	WATT	RPM	M ³ /Min	CFM	mmH ₂ O	INH ₂ O	dB (A)	m
83.85×75.6×28	HDB	12	10.8~13.2	0.2	2.4	2700	0.316	11.3	12.73	0.496	34.3	1

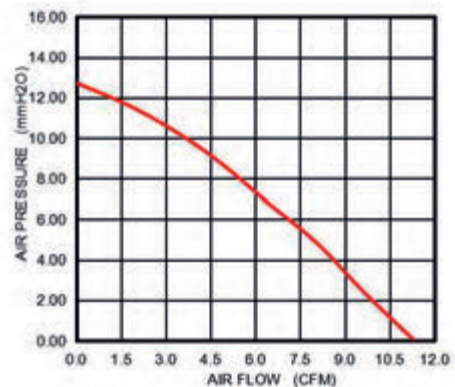
- * Signal type is optional. 信号输出类型可以选择的
- * The MAX. air flow & the speed are measured in free air ; MAX.air pressure is measured at zero air flow.
在正常气压下测试风扇最大风压以及转速, 在无流量条件下测试风扇最大风压
- * All readings are typical values at rated voltage. 所有常规数值都是在额定电压下完成的;
- * SPEC. are subject to change without notice. 规格如果变更, 将另行通知

DIMENSIONS DRAWING (外观图)



Unit: mm

P&Q CURVE (AT RATED VOLTAGE)



87.4×78.3×15 Blower

General Specifications (普通规格)

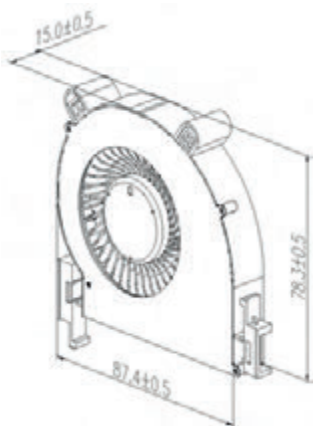


- **Material (材料):**
Frame And Impeller: Plastic UL 94V-0 / SECC
底座和扇叶: 塑胶 (UL 94V-0) / SECC
- **Lead Wires (导线): UL Type (UL类型)**
RED Wire Positive(+) 红色线 正极
Black Wire Negative(黑色线 负极
- **Insulation Resistance: 10M Ω Or Over With a DC250V Megger**
绝缘阻抗: 10MΩ 或者高于DC250V
- **Dielectric Withstand Voltage: AC500V 1S**
耐压测试: AC500V 1S
- **Allowable Ambient Temperature Range:**
环境温度范围:
-10°C ~ +70°C (Operating) 工作温度
-40°C ~ +70°C (Storage) 存储温度

MODEL 型号	BEARING TYPE 轴承类型	Rated Voltage 额定电压	Operating Voltage 工作电压	Rated Current 额定电流	Rated Input power 额定功率	Speed 转速	Maximum Air Flow 最大风量		Maximum Air Pressure 最大风压		Noise/Distance 噪音/距离	
		VDC	VDC	AMP	WATT	RPM	M ³ /Min	CFM	mmH ₂ O	INH ₂ O	dB (A)	m
87.4×78.3×15	HDB	12	10.8~13.2	0.55	6.6	4600	0.522	18.66	33.3	1.299	52.3	0.5

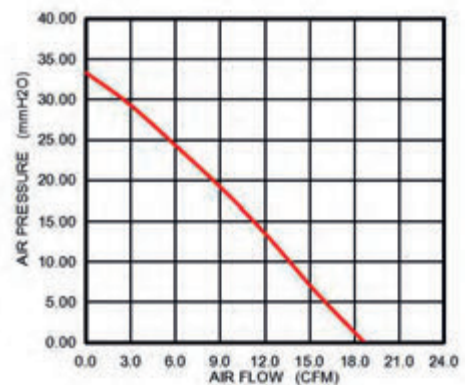
- * Signal type is optional. 信号输出类型可以选择的
- * The MAX. air flow & the speed are measured in free air ; MAX. air pressure is measured at zero air flow.
在正常气压下测试风扇最大风压以及转速, 在无流量条件下测试风扇最大风压
- * All readings are typical values at rated voltage. 所有常规数值都是在额定电压下完成的;
- * SPEC. are subject to change without notice. 规格如果变更, 将另行通知

DIMENSIONS DRAWING (外观图)



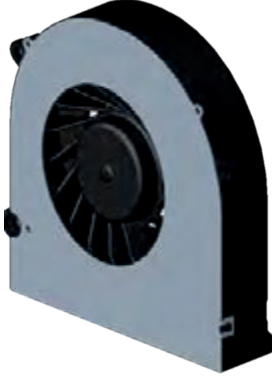
Unit: mm

P&Q CURVE (AT RATED VOLTAGE)



89×90×20

Blower



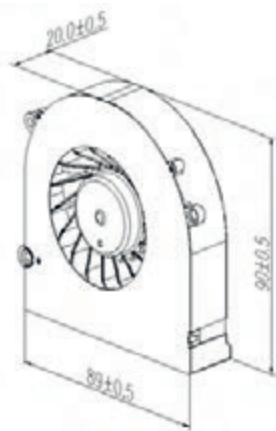
General Specifications (普通规格)

- **Material (材料):**
Frame And Impeller: Plastic UL 94V-0 / SECC
底座和扇叶: 塑胶 (UL 94V-0)
- **Lead Wires (导线): UL Type (UL类型)**
RED Wire Positive(+) 红色线 正极
Black Wire Negative(黑色线 负极)
- **Insulation Resistance: 10M Ω Or Over With a DC250V Megger**
绝缘阻抗: 10MΩ 或者高于DC250V
- **Dielectric Withstand Voltage: AC500V 1S**
耐压测试: AC500V 1S
- **Allowable Ambient Temperature Range:**
环境温度范围:
-10℃~+70℃ (Operating) 工作温度
-40℃~+70℃ (Storage) 存储温度

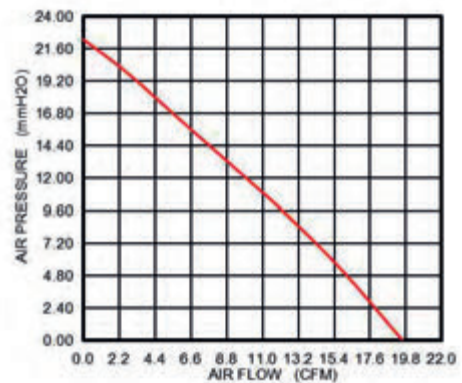
MODEL 型号	BEARING TYPE 轴承类型	Rated Voltage 额定电压	Operating Voltage 工作电压	Rated Current 额定电流	Rated Input power 额定功率	Speed 转速	Maximum Air Flow 最大风量		Maximum Air Pressure 最大风压		Noise/Distance 噪音/距离	
		VDC	VDC	AMP	WATT	RPM	M ³ /Min	CFM	mmH ₂ O	INH ₂ O	dB(A)	m
89×90×20	HDB	12	10.8~13.2	0.45	5.4	3800	0.549	19.6	22.27	0.869	49.5	0.5

* Signal type is optional. 信号输出类型可以选择的
 * The MAX. air flow & the speed are measured in free air ; MAX. air pressure is measured at zero air flow.
 在正常气压下测试风扇最大风压以及转速, 在无流量条件下测试风扇最大风压
 * All readings are typical values at rated voltage. 所有常规数值都是在额定电压下完成的;
 * SPEC. are subject to change without notice. 规格如果变更, 将另行通知

DIMENSIONS DRAWING (外观图)



P&Q CURVE (AT RATED VOLTAGE)



Unit: mm

95.4×74.5×5 Blower

General Specifications (普通规格)

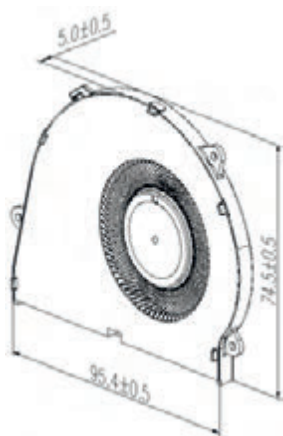


- **Material (材料):**
Frame And Impeller: Plastic UL 94V-0 / SECC
底座和扇叶: 塑胶 (UL 94V-0) / SECC
- **Lead Wires (导线): UL Type (UL类型)**
RED Wire Positive(+) 红色线 正极
Black Wire Negative() 黑色线 负极
- **Insulation Resistance: 10M Ω Or Over With a DC250V Megger**
绝缘阻抗: 10MΩ 或者高于DC250V
- **Dielectric Withstand Voltage: AC500V 1S**
耐压测试: AC500V 1S
- **Allowable Ambient Temperature Range:**
环境温度范围:
-10℃~+70℃ (Operating) 工作温度
-40℃~+70℃ (Storage) 存储温度

MODEL 型号	BEARING TYPE 轴承类型	Rated Voltage 额定电压	Operating Voltage 工作电压	Rated Current 额定电流	Rated Input power 额定功率	Speed 转速	Maximum Air Flow 最大风量		Maximum Air Pressure 最大风压		Noise/Distance 噪音/距离	
		VDC	VDC	AMP	WATT	RPM	M ³ /Min	CFM	mmH ₂ O	INH ₂ O	dB(A)	m
95.4×74.5×5	HDB	5	3.5~5.5	0.45	2.25	4500	0.130	4.63	14.52	0.566	40.9	0.5

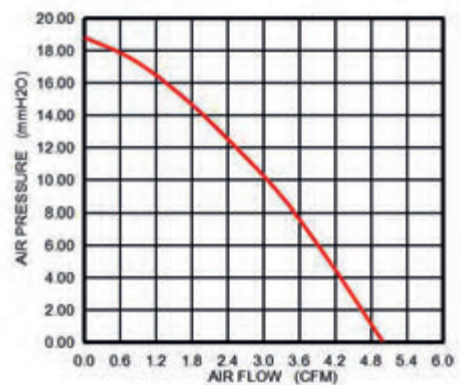
- * Signal type is optional. 信号输出类型可以选择的
- * The MAX. air flow & the speed are measured in free air ; MAX. air pressure is measured at zero air flow.
在正常气压下测试风扇最大风压以及转速, 在无流量条件下测试风扇最大风压
- * All readings are typical values at rated voltage. 所有常规数值都是在额定电压下完成的;
- * SPEC. are subject to change without notice. 规格如果变更, 将另行通知

DIMENSIONS DRAWING (外观图)



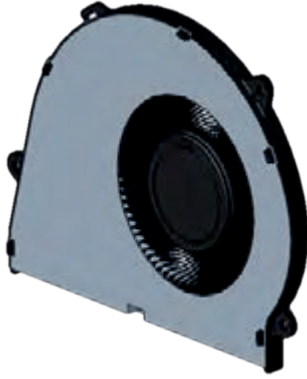
Unit: mm

P&Q CURVE (AT RATED VOLTAGE)



95.4×74.5×5.5 Blower

General Specifications (普通规格)

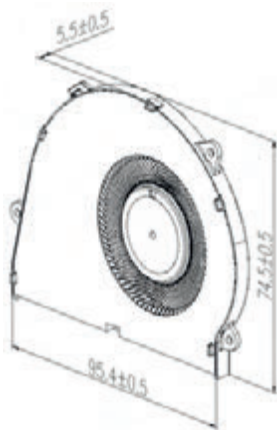


- **Material (材料):**
Frame And Impeller: Plastic UL 94V-0 / SECC
底座和扇叶: 塑胶 (UL 94V-0) / SECC
- **Lead Wires (导线): UL Type (UL类型)**
RED Wire Positive(+) 红色线 正极
Black Wire Negative() 黑色线 负极
- **Insulation Resistance: 10M Ω Or Over With a DC250V Megger**
绝缘阻抗: 10MΩ 或者高于DC250V
- **Dielectric Withstand Voltage: AC500V 1S**
耐压测试: AC500V 1S
- **Allowable Ambient Temperature Range:**
环境温度范围:
-10°C ~ +70°C (Operating) 工作温度
-40°C ~ +70°C (Storage) 存储温度

MODEL 型号	BEARING TYPE 轴承类型	Rated Voltage 额定电压	Operating Voltage 工作电压	Rated Current 额定电流	Rated Input power 额定功率	Speed 转速	Maximum Air Flow 最大风量		Maximum Air Pressure 最大风压		Noise/Distance 噪音/距离	
		VDC	VDC	AMP	WATT	RPM	M ³ /Min	CFM	mmH ₂ O	INH ₂ O	dB (A)	m
95.4×74.5×5.5	HDB	5	3.5~5.5	0.45	2.25	4500	0.160	5.7	15.87	0.619	41.9	0.5

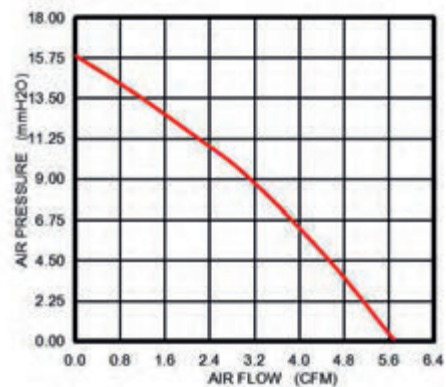
- * Signal type is optional. 信号输出类型可以选择的
- * The MAX. air flow & the speed are measured in free air ; MAX. air pressure is measured at zero air flow.
在正常气压下测试风扇最大风压以及转速, 在无流量条件下测试风扇最大风压
- * All readings are typical values at rated voltage. 所有常规数值都是在额定电压下完成的;
- * SPEC. are subject to change without notice. 规格如果变更, 将另行通知

DIMENSIONS DRAWING (外观图)



Unit: mm

P&Q CURVE (AT RATED VOLTAGE)



95.8×76.5×6.2 Blower

General Specifications (普通规格)

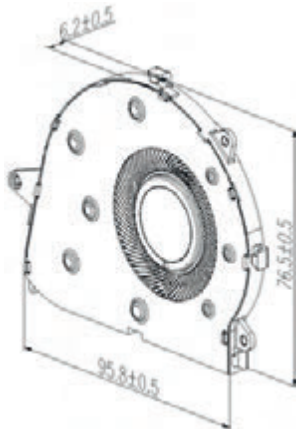


- **Material (材料):**
Frame And Impeller: Plastic UL 94V-0 / SGCC
底座和扇叶: 塑胶 (UL 94V-0) / SGCC
- **Lead Wires (导线): UL Type (UL类型)**
RED Wire Positive(+) 红色线 正极
Black Wire Negative(黑色线 负极
- **Insulation Resistance: 10M Ω Or Over With a DC250V Megger**
绝缘阻抗: 10MΩ 或者高于DC250V
- **Dielectric Withstand Voltage: AC500V 1S**
耐压测试: AC500V 1S
- **Allowable Ambient Temperature Range:**
环境温度范围:
-10°C ~ +70°C (Operating) 工作温度
-40°C ~ +70°C (Storage) 存储温度

MODEL 型号	BEARING TYPE 轴承类型	Rated Voltage 额定电压	Operating Voltage 工作电压	Rated Current 额定电流	Rated Input power 额定功率	Speed 转速	Maximum Air Flow 最大风量		Maximum Air Pressure 最大风压		Noise/Distance 噪音/距离	
		VDC	VDC	AMP	WATT	RPM	M ³ /Min	CFM	mmH ₂ O	INH ₂ O	dB (A)	m
95.8×76.5×6.2	HDB	5	3.5~5.5	0.45	2.25	4100	0.162	5.77	16.89	0.659	40.9	0.5

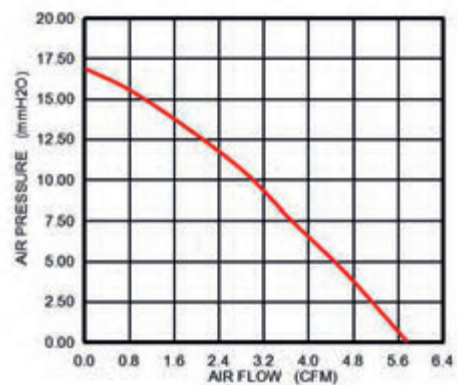
- * Signal type is optional. 信号输出类型可以选择的
- * The MAX. air flow & the speed are measured in free air ; MAX. air pressure is measured at zero air flow.
在正常气压下测试风扇最大风压以及转速, 在无流量条件下测试风扇最大风压
- * All readings are typical values at rated voltage. 所有常规数值都是在额定电压下完成的;
- * SPEC. are subject to change without notice. 规格如果变更, 将另行通知

DIMENSIONS DRAWING (外观图)



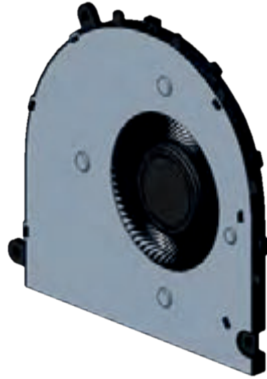
Unit: mm

P&Q CURVE (AT RATED VOLTAGE)



101×94.4×5.5 Blower

General Specifications (普通规格)

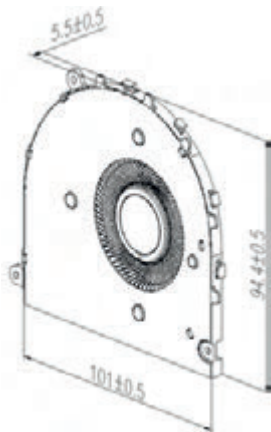


- **Material (材料):**
Frame And Impeller: Plastic UL 94V-0 / SGCC
底座和扇叶: 塑胶 (UL 94V-0) / SGCC
- **Lead Wires (导线): UL Type (UL类型)**
RED Wire Positive(+) 红色线 正极
Black Wire Negative() 黑色线 负极
- **Insulation Resistance: 10M Ω Or Over With a DC250V Megger**
绝缘阻抗: 10MΩ 或者高于DC250V
- **Dielectric Withstand Voltage: AC500V 1S**
耐压测试: AC500V 1S
- **Allowable Ambient Temperature Range:**
环境温度范围:
-10°C ~ +70°C (Operating) 工作温度
-40°C ~ +70°C (Storage) 存储温度

MODEL 型号	BEARING TYPE 轴承类型	Rated Voltage 额定电压	Operating Voltage 工作电压	Rated Current 额定电流	Rated Input power 额定功率	Speed 转速	Maximum Air Flow 最大风量		Maximum Air Pressure 最大风压		Noise/Distance 噪音/距离	
		VDC	VDC	AMP	WATT	RPM	M ³ /Min	CFM	mmH ₂ O	INH ₂ O	dB (A)	m
101×94.4×5.5	HDB	5	3.5~5.5	0.3	1.5	2900	0.126	4.49	8.57	0.334	29.1	0.5

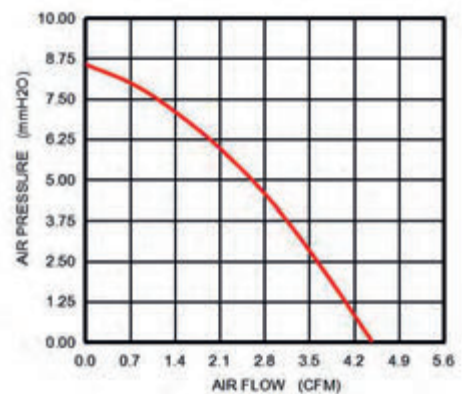
- * Signal type is optional. 信号输出类型可以选择的
- * The MAX. air flow & the speed are measured in free air ; MAX. air pressure is measured at zero air flow.
在正常气压下测试风扇最大风压以及转速, 在无流量条件下测试风扇最大风压
- * All readings are typical values at rated voltage. 所有常规数值都是在额定电压下完成的;
- * SPEC. are subject to change without notice. 规格如果变更, 将另行通知

DIMENSIONS DRAWING (外观图)



Unit: mm

P&Q CURVE (AT RATED VOLTAGE)



17×17×3.4 Axial Fan

General Specifications (普通规格)

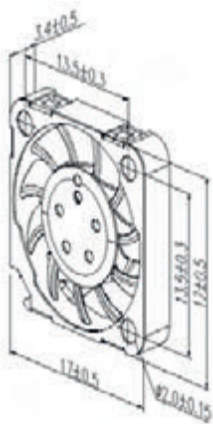


- **Material (材料) :**
Frame And Impeller: Plastic UL 94V-0 / SUS
底座和扇叶: 塑胶 (UL 94V-0) / SUS
- **Lead Wires (导线) :UL Type (UL类型)**
RED Wire Positive(+) 红色线 正极
Black Wire Negative(黑色线 负极
- **Insulation Resistance:10M Ω Or Over With a DC250V Megger**
绝缘阻抗: 10MΩ 或者高于DC250V
- **Dielectric Withstand Voltage:AC500V 1S**
耐压测试: AC500V 1S
- **Allowable Ambient Temperature Range:**
环境温度范围:
-10℃~+70℃ (Operating) 工作温度
-40℃~+70℃ (Storage) 存储温度

MODEL 型号	BEARING TYPE 轴承类型	Rated Voltage 额定电压	Operating Voltage 工作电压	Rated Current 额定电流	Rated Input power 额定功率	Speed 转速	Maximum Air Flow 最大风量		Maximum Air Pressure 最大风压		Noise/Distance 噪音/距离	
		VDC	VDC	AMP	WATT	RPM	M ³ /Min	CFM	mmH ₂ O	INH ₂ O	dB(A)	m
17×17×3.4	HDB	3	2.2~3.5	0.08	0.24	13000	0.018	0.66	2.57	0.100	30.5	0.3

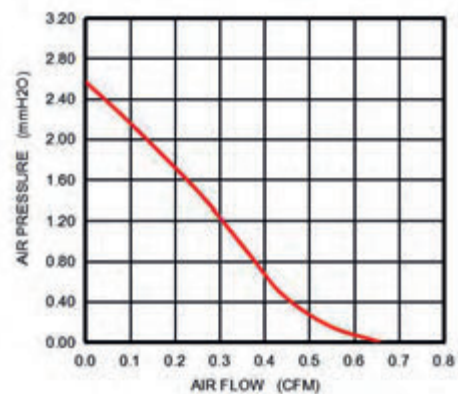
- * Signal type is optional. 信号输出类型可以选择的
- * The MAX. air flow & the speed are measured in free air ; MAX.air pressure is measured at zero air flow.
在正常气压下测试风扇最大风压以及转速, 在无流量条件下测试风扇最大风压
- * All readings are typical values at rated voltage. 所有常规数值都是在额定电压下完成的;
- * SPEC. are subject to change without notice. 规格如果变更, 将另行通知

DIMENSIONS DRAWING (外观图)



Unit: mm

P&Q CURVE (AT RATED VOLTAGE)





10



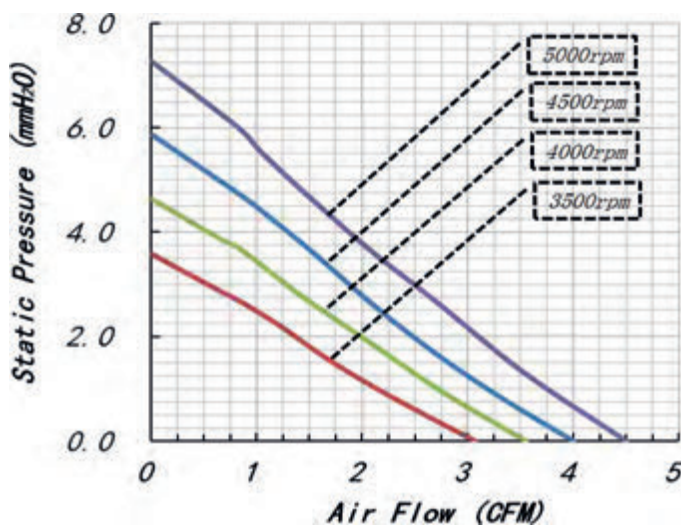
Ø 45x10mm

- Fan Type : Blower Fan
- Fan Dimension : Ø 45 *10 mm
- Fan Material, Speed, Wire cable length, Connector type upon customer's requirement
- The Max air flow & speed been measured in free air ; Max air pressure been Measured at zero air flow contions
- Noise been measured in anechoic chamber in free air and one meter from intake side

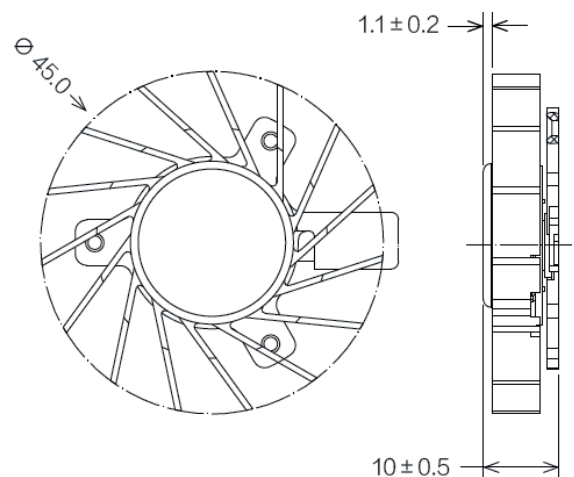
SPEC 规格 MODEL 机种	额定电压(伏) Rated Voltage (V DC)	额定电流 (安)/Rated Current (A)	额定功率 (瓦)/Rated Input (W)	转速(RPM) SPEED (R. P. M)	最大风量/ Air Flow Max (CFM)	最大风压/Air Press Max (mm-H2O)	噪音/Noise (dB. A)	轴承结构/ Bearing Type
FD5010L12X	12	0.1	1.20	3000	3.1	3.6	28.5	S D C
FD5010M12X	12	0.14	1.68	3500	3.6	4.7	32.6	S D C
FD5010H12X	12	0.2	2.40	4000	4.0	5.9	35.9	S D C
FD5010U12X	12	0.3	3.60	4500	4.5	7.3	38.5	S D C

"X":Bearing Type; "S"=Sleeve Bearing; "D"=Two Ball BEARING;"C"=One Ball One Sleeve Bearing.

● 风量风压曲线 /PQ Curve



● 产品外观尺寸 /Dimension Drawing



Please refer to Model Numbering System for bearing, function and speed level indication.





17



Ø 50x15mm

- Fan Type : Blower Fan
- Fan Dimension : Ø 50 * 15 mm
- Fan Material, Speed, Wire cable length, Connector type upon customer's requirement
- The Max air flow & speed been measured in free air ; Max air pressure been Measured at zero air flow contions
- Noise been measured in anechoic chamber in free air and one meter from intake side

SPEC 规格 MODEL 机种	额定电压 (伏) / Rated Voltage (V DC)	额定电流 (安) / Rated Current (A)	额定功率 (瓦) / Rated Input (W)	转速 (RPM) / SPEED (R. P. M)	最大风量/ Air Flow Max (CFM)	最大风压/Air Press Max (mm-H2O)	噪音/Noise (dB. A)	轴承结构/ Bearing Type
FD5015L12X	12	0.15	1.8	3500	2.6	5.7	27.3	S D C
FD5015M12X	12	0.25	3.0	4500	3.2	9.5	32.8	S D C
FD5015H12X	12	0.35	4.2	5500	4.0	13.8	38.5	S D C
FD5015U12X	12	0.45	5.4	6500	4.6	18.1	45.3	S D C

"X": Bearing Type; "S"=Sleeve Bearing; "D"=Two Ball BEARING; "C"=One Ball One Sleeve Bearing.

● 风量风压曲线 /PQ Curve

● 产品外观尺寸 /Dimension Drawing

Please refer to *Model Numbering System* for bearing, function and speed level indication.





Ø 50x20mm

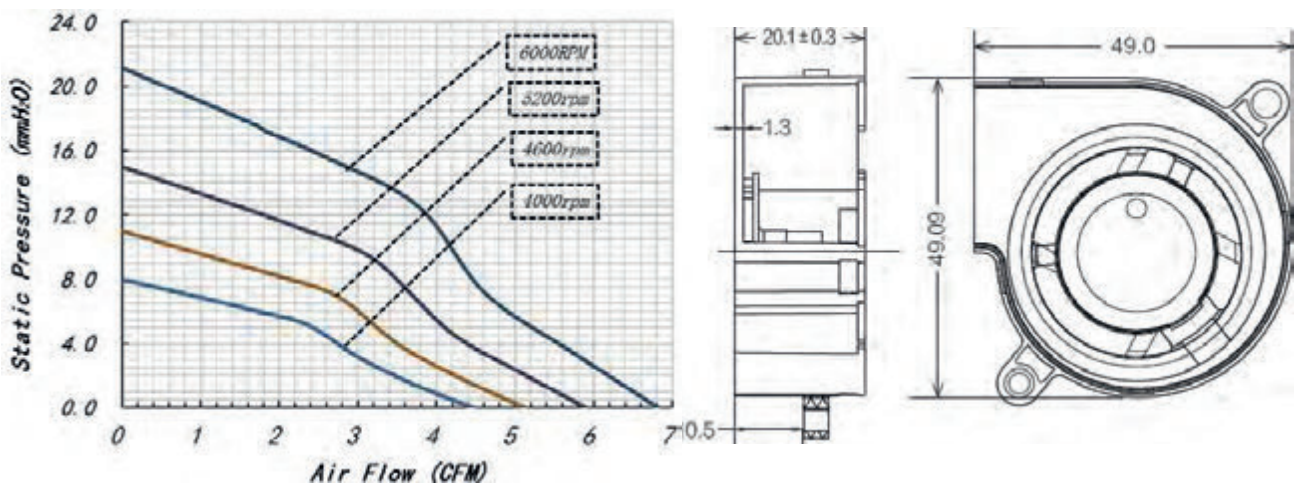
- Fan Type : Blower Fan
- Fan Dimension : Ø 50 * 20 mm
- Fan Material, Speed, Wire cable length, Connector type upon customer's requirement
- The Max air flow & speed been measured in free air ; Max air pressure been Measured at zero air flow contions
- Noise been measured in anechoic chamber in free air and one meter from intake side

SPEC 规格 MODEL 机种	额定电压(伏)/ Rated Voltage (V DC)	额定电流 (安)/Rated Current (A)	额定功率 (瓦)/Rated Input (W)	转速(RPM)/ SPEED (R. P. M)	最大风量/ Air Flow Max (CFM)	最大风压/Air Press Max (mm-H2O)	噪音/Noise (dB. A)	轴承结构/ Bearing Type
FD5020L12X	12	0.15	1.8	4000	4.5	8.0	30.0	S D C
FD5020M12X	12	0.25	3.0	4600	5.3	11.0	33.8	S D C
FD5020H12X	12	0.35	4.2	5200	5.9	15.0	36.9	S D C
FD5020U12X	12	0.45	5.4	6000	6.9	21.2	41.2	S D C

"X":Bearing Type; "S"=Sleeve Bearing; "D"=Two Ball BEARING;"C"=One Ball One Sleeve Bearing.

● 风量风压曲线 /PQ Curve

● 产品外观尺寸 /Dimension Drawing



Please refer to Model Numbering System for bearing, function and speed level indication.





20



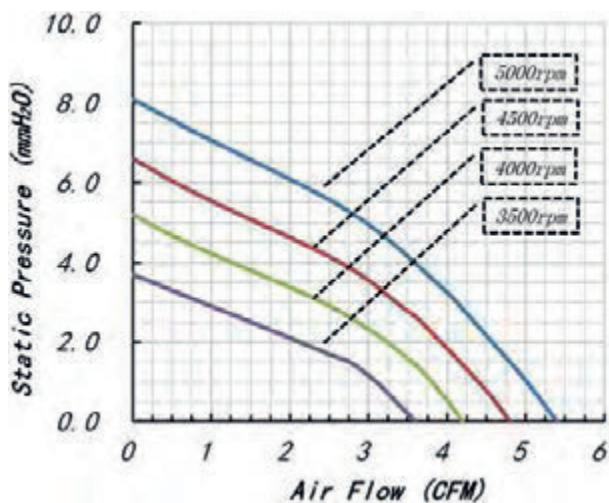
Ø 57x10mm

- Fan Type : Blower Fan
- Fan Dimension : Ø 57 * 10 mm
- Fan Material, Speed, Wire cable length, Connector type upon customer's requirement
- The Max air flow & speed been measured in free air ; Max air pressure been Measured at zero air flow contions
- Noise been measured in anechoic chamber in free air and one meter from intake side

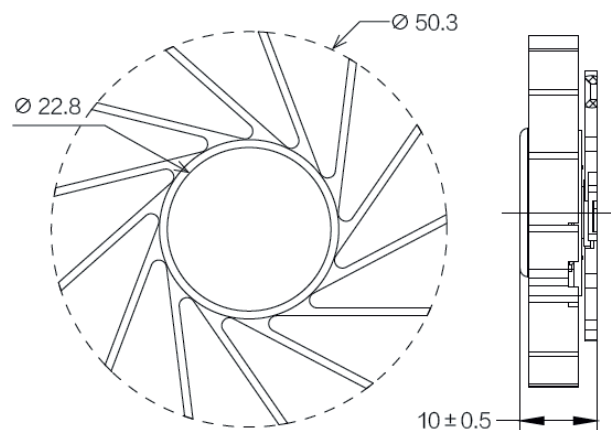
SPEC 规格 MODEL 机种	额定电压(伏)/ Rated Voltage (V DC)	额定电流 (安)/Rated Current (A)	额定功率 (瓦)/Rated Input (W)	转速(RPM)/ SPEED (R. P. M)	最大风量/ Air Flow Max (CFM)	最大风压/Air Press Max (mm-H ₂ O)	噪音/Noise (dB. A)	轴承结构/ Bearing Type
FD6010L12X	12	0.18	2.16	3500	3.7	4.0	28.5	S D C
FD6010M12X	12	0.25	3.00	4000	4.3	5.2	32.6	S D C
FD6010H12X	12	0.35	4.20	4500	4.8	6.6	35.9	S D C
FD6010U12X	12	0.45	5.40	5000	5.4	8.1	39.5	S D C

"X":Bearing Type; "S"=Sleeve Bearing; "D"=Two Ball BEARING;"C"=One Ball One Sleeve Bearing.

● 风量风压曲线 /PQ Curve



● 产品外观尺寸 /Dimension Drawing



Please refer to Model Numbering System for bearing, function and speed level indication.





30



Ø 65x25mm

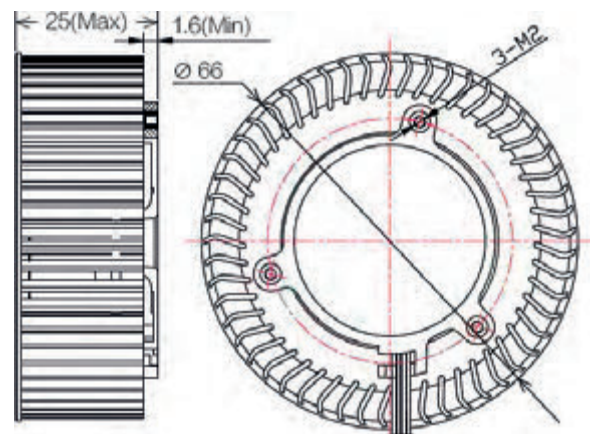
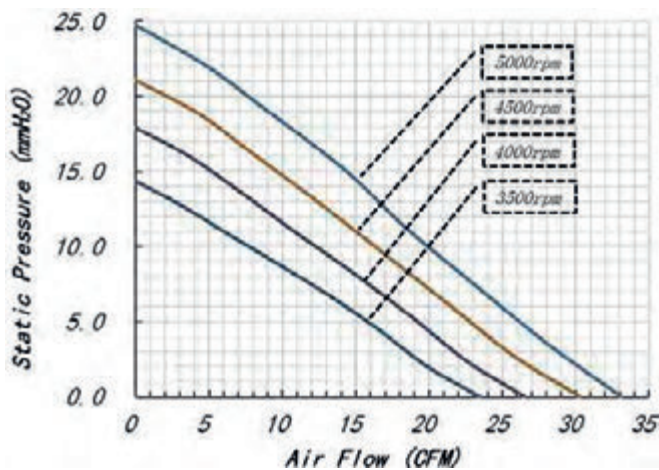
- Fan Type: Blower Fan
- Fan Dimension: Ø 65*25mm
- Fan Material, Speed, Wire cable length, Connector type upon customer's requirement
- The Max air flow & speed been measured in free air; Max air pressure been Measured at zero air flow contions
- Noise been measured in anechoic chamber in free air and one meter from intake side

SPEC 规格 MODEL 机种	额定电压(伏)/ Rated Voltage (V DC)	额定电流 (安)/Rated Current (A)	额定功率 (瓦)/Rated Input (W)	转速(RPM)/ SPEED (R. P. M)	最大风量/ Air Flow Max (CFM)	最大风压/Air Press Max (mm-H2O)	噪音/Noise (dB. A)	轴承结构/ Bearing Type
FD6525L12X	12	0.8	9.6	3500	23.4	14.4	38.0	S D C
FD6525M12X	12	0.9	10.8	4000	26.5	17.9	42.3	S D C
FD6525H12X	12	1.0	12.0	4500	30.3	21.1	46.0	S D C
FD6525U12X	12	1.3	15.6	5000	33.1	24.6	50.0	S D C

"X":Bearing Type; "S"=Sleeve Bearing; "D"=Two Ball BEARING;"C"=One Ball One Sleeve Bearing.

● 风量风压曲线 /PQ Curve

● 产品外观尺寸 /Dimension Drawing



Please refer to Model Numbering System for bearing, function and speed level indication.





Ø 65x25mm

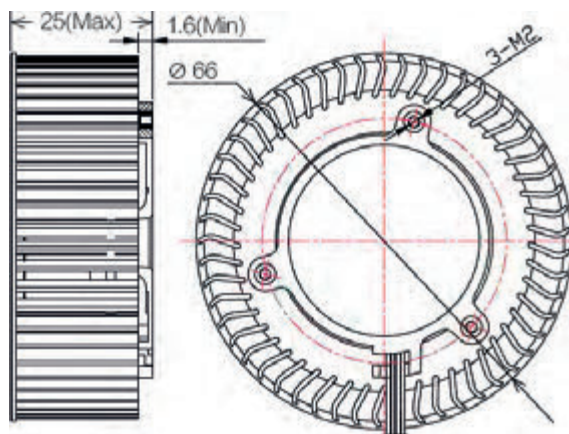
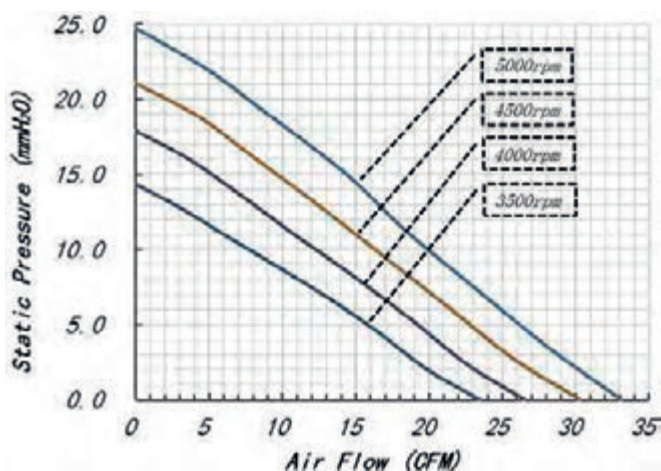
- Fan Type: Blower Fan
- Fan Dimension: Ø 65*25mm
- Fan Material, Speed, Wire cable length, Connector type upon customer's requirement
- The Max air flow & speed been measured in free air; Max air pressure been Measured at zero air flow contions
- Noise been measured in anechoic chamber in free air and one meter from intake side

SPEC 规格 MODEL 机种	额定电压(伏) /Rated Voltage (V DC)	额定电流 (安)/Rated Current (A)	额定功率 (瓦)/Rated Input (W)	转速(RPM) /SPEED (R. P. M)	最大风量/ Air Flow Max (CFM)	最大风压/Air Press Max (mm-H2O)	噪音/Noise (dB. A)	轴承结构/ Bearing Type
FD6025L12X	12	0.8	9.6	3500	23.4	14.4	38.0	S D C
FD6025M12X	12	0.9	10.8	4000	26.5	17.9	42.3	S D C
FD6025H12X	12	1.0	12.0	4500	30.3	21.1	46.0	S D C
FD6025U12X	12	1.3	15.6	5000	33.1	24.6	50.0	S D C

"X":Bearing Type; "S"-Sleeve Bearing; "D"-Two Ball BEARING;"C"-One Ball One Sleeve Bearing.

● 风量风压曲线 /PQ Curve

● 产品外观尺寸 /Dimension Drawing



Please refer to Model Numbering System for bearing, function and speed level indication.



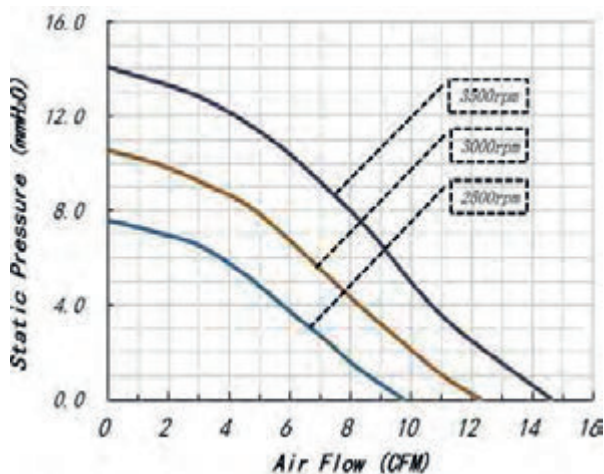
Ø 70x20mm

- Fan Type: Blower Fan
- Fan Dimension: Ø 70*20mm
- Fan Material, Speed, Wire cable length, Connector type upon customer's requirement
- The Max air flow & speed been measured in free air; Max air pressure been Measured at zero air flow contions
- Noise been measured in anechoic chamber in free air and one meter from intake side

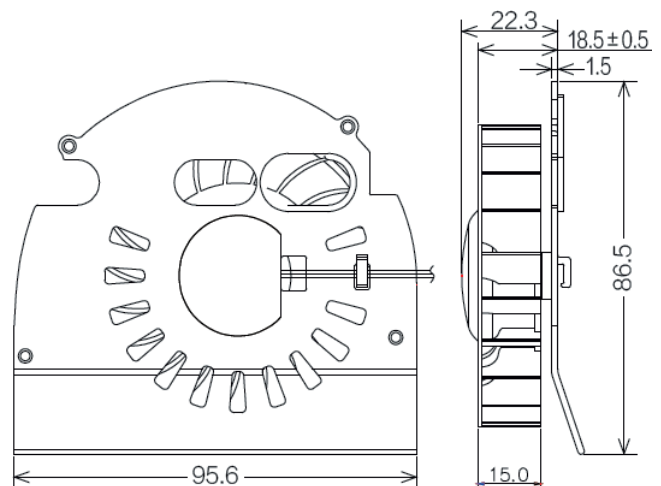
SPEC 规格 MODEL 机种	额定电压(伏)/ Rated Voltage (V DC)	额定电流 (安)/Rated Current (A)	额定功率 (瓦)/Rated Input (W)	转速(RPM)/ SPEED (R. P. M)	最大风量/ Air Flow Max (CFM)	最大风压/Air Press Max (mm-H2O)	噪音/Noise (dB. A)	轴承结构/ Bearing Type
FD7020L12X	12	0.45	5.4	2500	9.4	7.6	32.5	S D C
FD7020M12X	12	0.55	6.6	3000	12.3	10.6	36.5	S D C
FD7020H12X	12	0.85	10.2	3500	14.6	14.0	40.0	S D C

"X":Bearing Type; "S"=Sleeve Bearing; "D"=Two Ball BEARING;"C"=One Ball One Sleeve Bearing.

● 风量风压曲线 /PQ Curve



● 产品外观尺寸 /Dimension Drawing



Please refer to Model Numbering System for bearing, function and speed level indication.





Ø 75x15mm

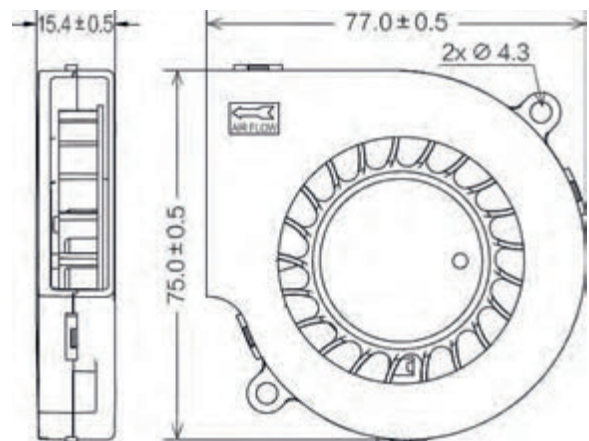
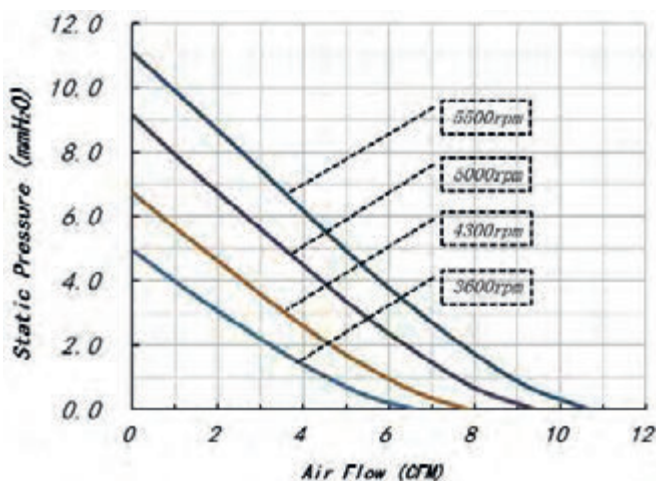
- Fan Type: Blower Fan
- Fan Dimension: Ø 75*15mm
- Fan Material, Speed, Wire cable length, Connector type upon customer's requirement
- The Max air flow & speed been measured in free air; Max air pressure been Measured at zero air flow contions
- Noise been measured in anechoic chamber in free air and one meter from intake side

SPEC 规格 MODEL 机种	额定电压(伏)/ Rated Voltage (V DC)	额定电流 (安)/Rated Current (A)	额定功率 (瓦)/Rated Input (W)	转速(RPM)/ SPEED (R. P. M)	最大风量/ Air Flow Max (CFM)	最大风压/Air Press Max (mm-H2O)	噪音/Noise (dB. A)	轴承结构/ Bearing Type
FD7015L12X	12	0.28	3.36	3600	6.61	4.95	39.0	S D C
FD7015M12X	12	0.32	3.84	4300	7.88	6.76	43.3	S D C
FD7015H12X	12	0.43	5.16	5000	9.41	9.16	47.5	S D C
FD7015U12X	12	0.48	5.76	5500	10.69	11.1	51.0	S D C

"X":Bearing Type; "S"=Sleeve Bearing; "D"=Two Ball BEARING;"C"=One Ball One Sleeve Bearing.

● 风量风压曲线 /PQ Curve

● 产品外观尺寸 /Dimension Drawing



Please refer to Model Numbering System for bearing, function and speed level indication.





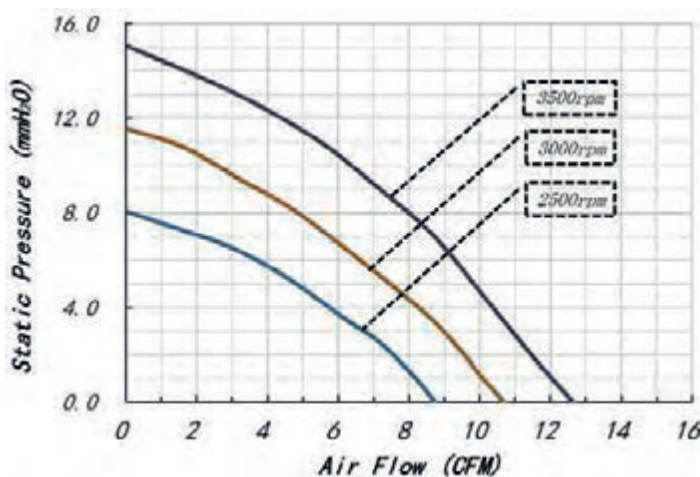
Ø 75x20mm

- Fan Type: Blower Fan
- Fan Dimension: Ø 75*20mm
- Fan Material, Speed, Wire cable length, Connector type upon customer's requirement
- The Max air flow & speed been measured in free air; Max air pressure been Measured at zero air flow contions
- Noise been measured in anechoic chamber in free air and one meter from intake side

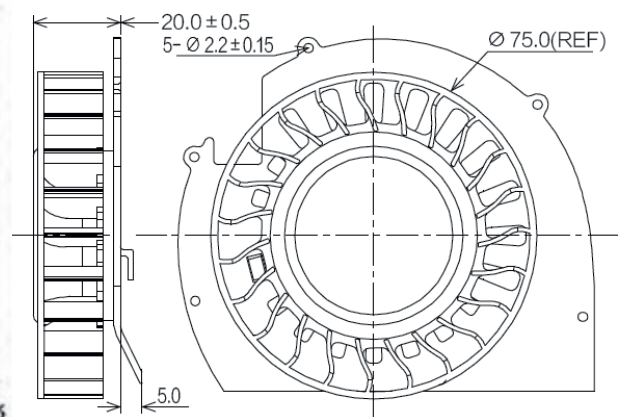
SPEC 规格 MODEL 机种	额定电压(伏) /Rated Voltage (V DC)	额定电流 (安)/Rated Current (A)	额定功率 (瓦)/Rated Input (W)	转速(RPM) /SPEED (R. P. M)	最大风量/ Air Flow Max (CFM)	最大风压/Air Press Max (mm-H2O)	噪音/Noise (dB. A)	轴承结构/ Bearing Type
FD7520L12X	12	0.3	3.6	2500	8.7	8.1	34.5	S D C
FD7520M12X	12	0.5	6.0	3000	10.7	11.6	37.0	S D C
FD7520H12X	12	0.8	9.6	3500	12.6	15.1	40.0	S D C

"X":Bearing Type; "S"=Sleeve Bearing; "D"=Two Ball BEARING;"C"=One Ball One Sleeve Bearing.

● 风量风压曲线 /PQ Curve



● 产品外观尺寸 /Dimension Drawing



Please refer to Model Numbering System for bearing, function and speed level indication.





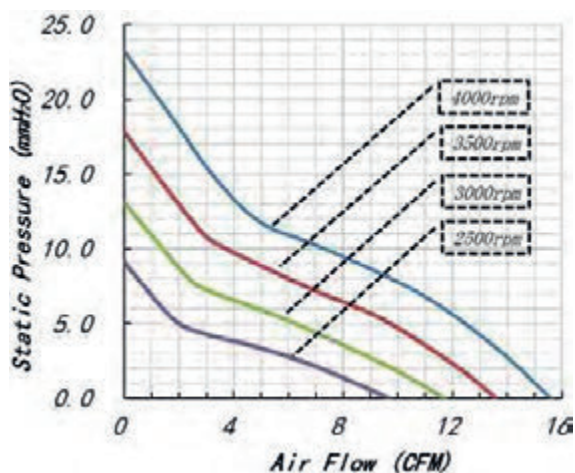
Ø 75x25mm

- Fan Type: Blower Fan
- Fan Dimension: Ø 75*25mm
- Fan Material, Speed, Wire cable length, Connector type upon customer's requirement
- The Max air flow & speed been measured in free air; Max air pressure been Measured at zero air flow contions
- Noise been measured in anechoic chamber in free air and one meter from intake side

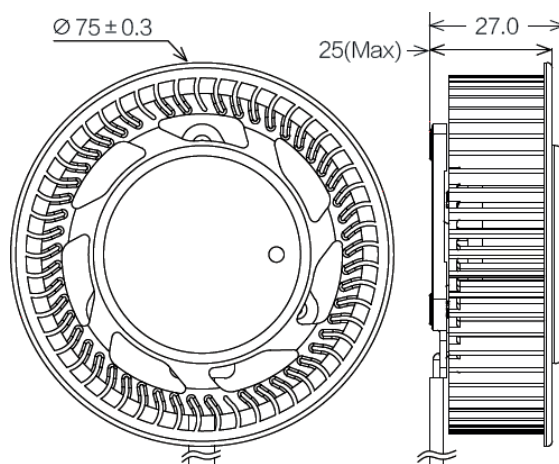
SPEC 规格 MODEL 机种	额定电压(伏)/ Rated Voltage (V DC)	额定电流 (安)/Rated Current (A)	额定功率 (瓦)/Rated Input (W)	转速(RPM)/ SPEED (R. P. M)	最大风量/ Air Flow Max (CFM)	最大风压/Air Press Max (mm-H2O)	噪音/Noise (dB. A)	轴承结构/ Bearing Type
FD7525L12X	12	0.5	6.0	2500	9.7	9.1	31.5	S D C
FD7525M12X	12	0.8	9.6	3000	11.7	13.1	35.0	S D C
FD7525H12X	12	1.2	14.4	3500	13.6	17.8	38.9	S D C
FD7525U12X	12	1.7	20.4	4000	15.6	23.2	42.5	S D C

"X":Bearing Type; "S"=Sleeve Bearing; "D"=Two Ball BEARING;"C"=One Ball One Sleeve Bearing.

● 风量风压曲线 /PQ Curve



● 产品外观尺寸 /Dimension Drawing



Please refer to Model Numbering System for bearing, function and speed level indication.



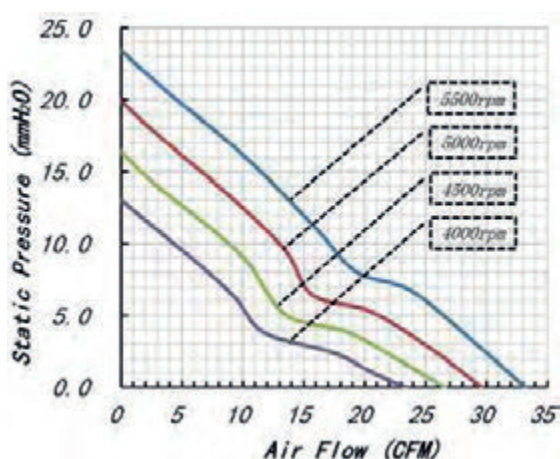
Ø 75x25mm-NEW

- Fan Type: Blower Fan
- Fan Dimension: Ø 75*25mm
- Fan Material, Speed, Wire cable length, Connector type upon customer's requirement
- The Max air flow & speed been measured in free air; Max air pressure been Measured at zero air flow contions
- Noise been measured in anechoic chamber in free air and one meter from intake side

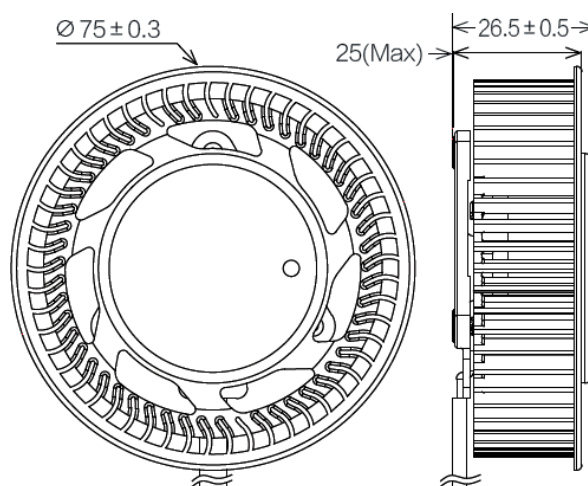
SPEC 规格 MODEL 机种	额定电压 (伏) / Rated Voltage (V DC)	额定电流 (安) / Rated Current (A)	额定功率 (瓦) / Rated Input (W)	转速 (RPM) / SPEED (R. P. M)	最大风量 / Air Flow Max (CFM)	最大风压 / Air Press Max (mm-H2O)	噪音 / Noise (dB. A)	轴承结构 / Bearing Type
FD7525L12X	12	0.5	6.0	4000	23.4	13.0	37.0	S D C
FD7525M12X	12	0.8	9.6	4500	26.6	16.4	41.3	S D C
FD7525H12X	12	1.2	14.4	5000	29.6	19.9	45.5	S D C
FD7525U12X	12	1.7	20.4	5500	33.2	23.4	49.9	S D C

"X": Bearing Type; "S"=Sleeve Bearing; "D"=Two Ball BEARING; "C"=One Ball One Sleeve Bearing.

● 风量风压曲线 / PQ Curve



● 产品外观尺寸 / Dimension Drawing



Please refer to Model Numbering System for bearing, function and speed level indication.





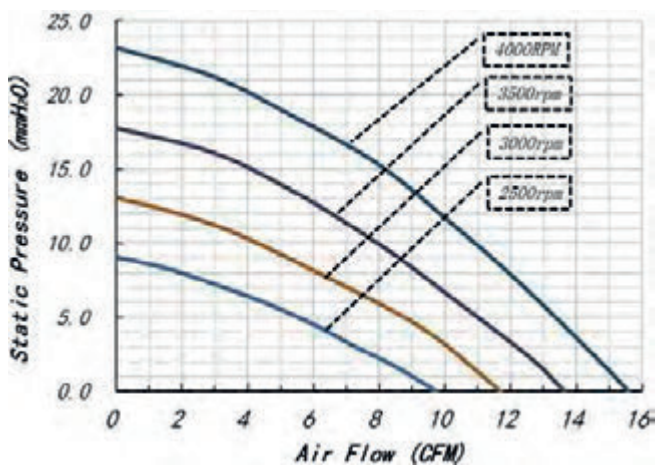
Ø 75x30mm

- Fan Type: Blower Fan
- Fan Dimension: Ø 75*30mm
- Fan Material, Speed, Wire cable length, Connector type upon customer's requirement
- The Max air flow & speed been measured in free air; Max air pressure been Measured at zero air flow contions
- Noise been measured in anechoic chamber in free air and one meter from intake side

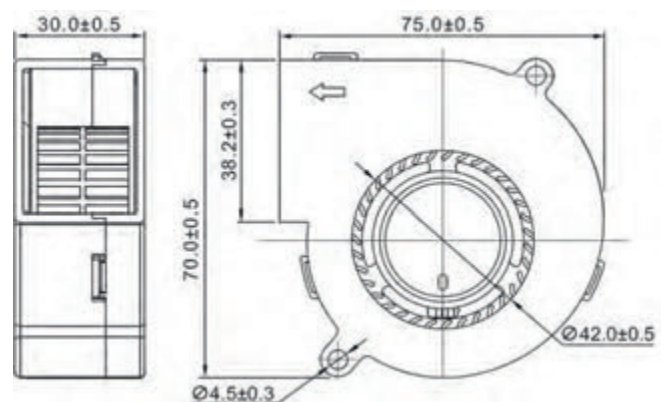
SPEC 规格 MODEL 机种	额定电压(伏)/ Rated Voltage (V DC)	额定电流 (安)/Rated Current (A)	额定功率 (瓦)/Rated Input (W)	转速(RPM)/ SPEED (R. P. M)	最大风量/ Air Flow Max (CFM)	最大风压/Air Press Max (mm-H2O)	噪音/Noise (dB. A)	轴承结构/ Bearing Type
FD7530L12X	12	0.3	3.6	2500	9.7	9.1	36.0	S D C
FD7530M12X	12	0.4	4.8	3000	11.7	13.1	39.8	S D C
FD7530H12X	12	0.5	6.0	3500	13.6	17.8	43.5	S D C
FD7530U12X	12	0.6	7.2	4000	15.6	23.2	46.5	S D C
FD7530L24X	24	0.25	6.0	2500	9.7	9.1	36.0	S D C
FD7530M24X	24	0.35	8.4	3000	11.7	13.1	39.8	S D C
FD7530H24X	24	0.45	10.8	3500	13.6	17.8	43.5	S D C
FD7530U24X	24	0.55	13.2	4000	15.6	23.2	46.5	S D C

"X":Bearing Type; "S"-Sleeve Bearing; "D"-Two Ball BEARING;"C"-One Ball One Sleeve Bearing.

● 风量风压曲线 /PQ Curve



● 产品外观尺寸 /Dimension Drawing



Please refer to Model Numbering System for bearing, function and speed level indication.



Ø 97x33mm

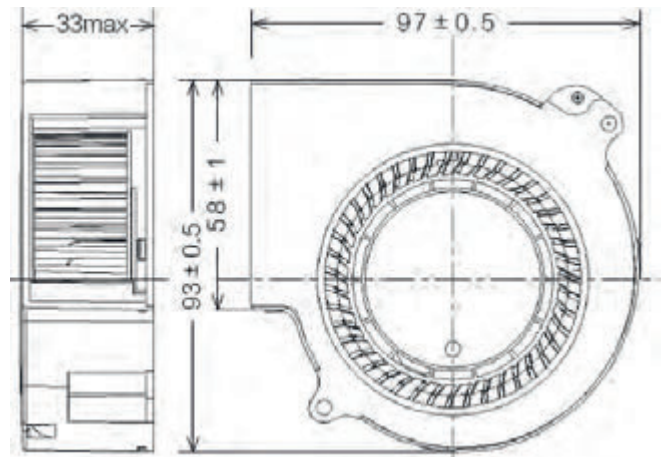
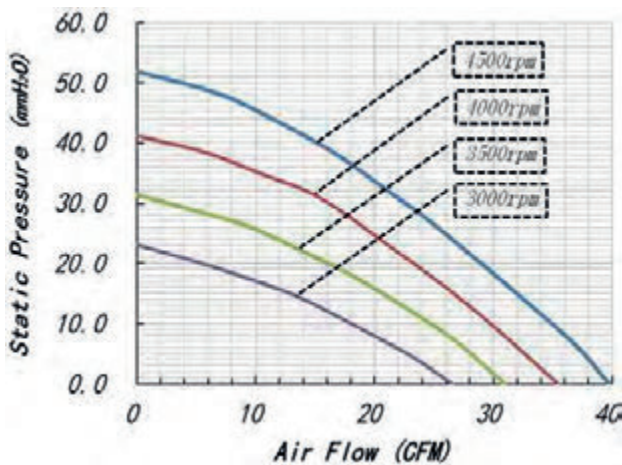
- Fan Type: Blower Fan
- Fan Dimension: Ø 97*33mm
- Fan Material, Speed, Wire cable length, Connector type upon customer's requirement
- The Max air flow & speed been measured in free air; Max air pressure been Measured at zero air flow contions
- Noise been measured in anechoic chamber in free air and one meter from intake side

SPEC 规格 MODEL 机种	额定电压(伏)/ Rated Voltage (V DC)	额定电流 (安)/Rated Current (A)	额定功率 (瓦)/Rated Input (W)	转速(RPM)/ SPEED (R. P. M)	最大风量/ Air Flow Max (CFM)	最大风压/Air Press Max (mm-H2O)	噪音/Noise (dB. A)	轴承结构/ Bearing Type
FD9733L12D	12	0.35	4.2	3000	26.5	23.0	50.2	D
FD9733M12D	12	0.40	4.8	3500	30.9	31.3	53.3	D
FD9733H12D	12	0.60	7.2	4000	41.2	35.4	56.0	D
FD9733U12D	12	0.80	9.6	4500	51.9	39.7	59.5	D

"X":Bearing Type; "S"=Sleeve Bearing; "D"=Two Ball BEARING;"C"=One Ball One Sleeve Bearing.

● 风量风压曲线 /PQ Curve

● 产品外观尺寸 /Dimension Drawing



Please refer to Model Numbering System for bearing, function and speed level indication.



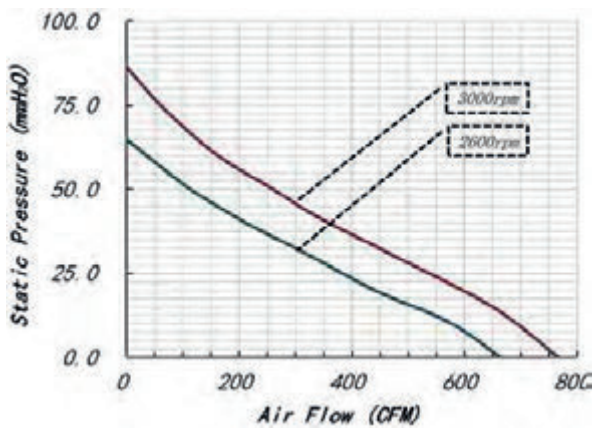
Ø 220x64mm

- Fan Type: Blower Fan
- Fan Dimension: Ø 220*64mm
- Fan Material, Speed, Wire cable length, Connector type upon customer's requirement
- The Max air flow & speed been measured in free air; Max air pressure been Measured at zero air flow contions
- Noise been measured in anechoic chamber in free air and one meter from intake side

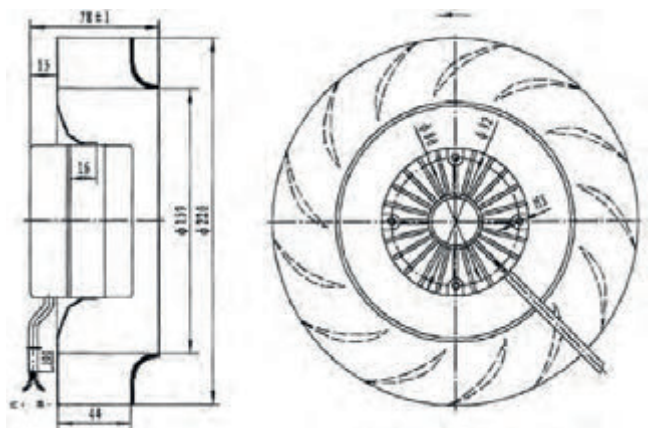
SPEC 规格 MODEL 机种	额定电压(伏)/ Rated Voltage (V DC)	额定电流 (安)/Rated Current (A)	额定功率 (瓦)/Rated Input (W)	转速(RPM)/ SPEED (R. P. M)	最大风量/ Air Flow Max (CFM)	最大风压/Air Press Max (mm-H2O)	噪音/Noise (dB. A)	轴承结构/ Bearing Type
FD2264M48X	48	4.5	216	2600	665.0	64.8	59.5	D
FD2264H48X	48	6.5	312	3000	767.3	86.3	70.0	D

"X":Bearing Type; "S"=Sleeve Bearing; "D"=Two Ball BEARING;"C"=One Ball One Sleeve Bearing.

● 风量风压曲线 /PQ Curve



● 产品外观尺寸 /Dimension Drawing



Please refer to Model Numbering System for bearing, function and speed level indication.

